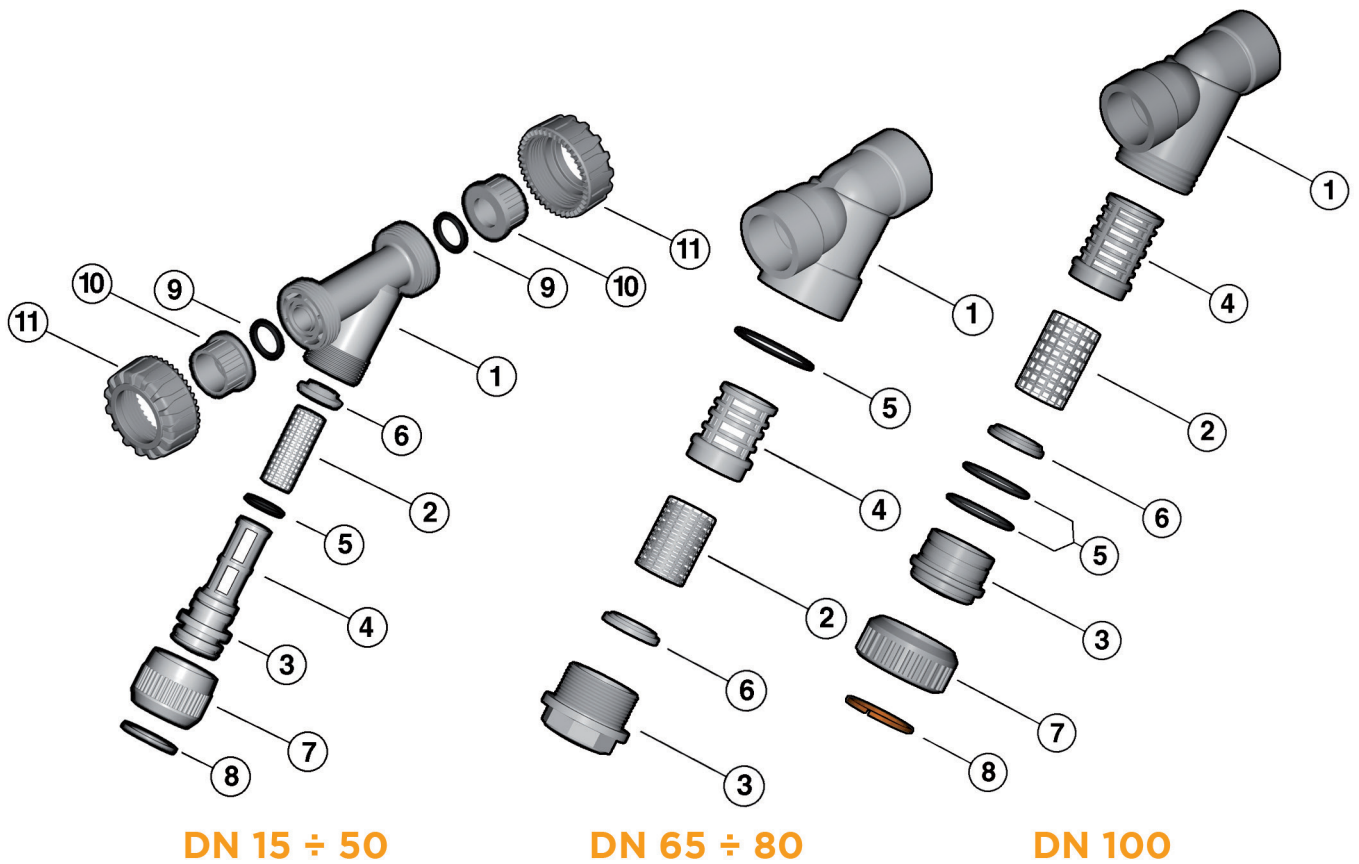


COMPONENTS

EXPLODED VIEW



- | | | |
|--------------------------------------|--------------------------------------|--|
| 1 Body (PP-H - 1) | 5 O-Ring (EPDM or FKM - 1)* | 8 Retaining ring (PP-H - 1) |
| 2 Strainer (PP-H - 1)* | A-B | 9 Socket seal O-Ring (EPDM or FKM - 2)* |
| 3 Bonnet (PP-H - 1) | 5 C O-Ring (EPDM or FKM - 2)* | 10 End connector (PP-H - 2)* |
| 4 Strainer support (PP-H - 1) | 6 Washer (PP-H - 1) | 11 Union nut (PP-H - 2) |
| | 7 Union nut (PP-H - 1) | |

* Spare parts

The material of the component and the quantity supplied are indicated between brackets