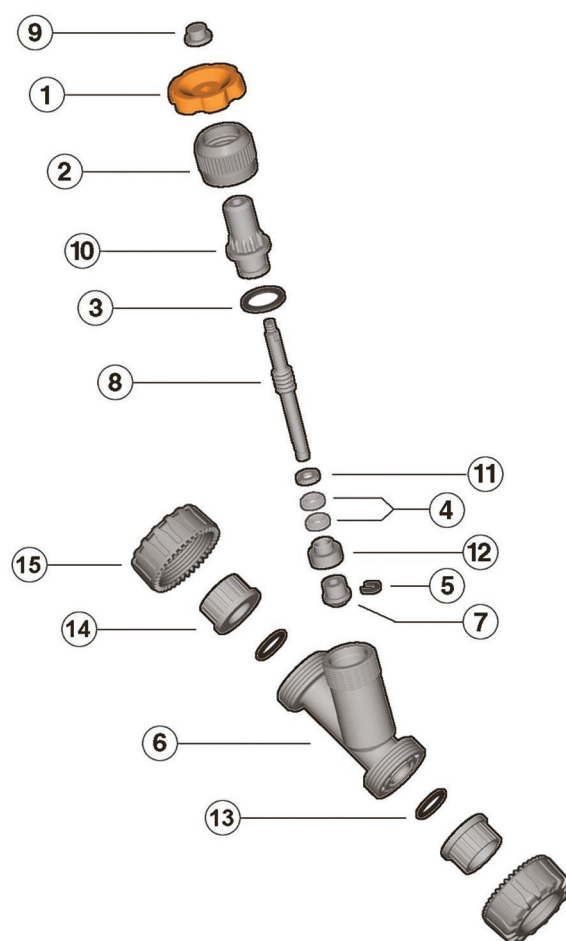


COMPONENTS

EXPLODED VIEW



- | | | |
|---------------------------------------|-------------------------------------|---|
| 1 Handwheel (PVC-U - 1) | 7 Shutter (PVC-U - 1) | 13 Socket seal O-Ring (EPDM-FKM - 2) |
| 2 Union nut (PVC-U - 1) | 8 Stem (PVC-U - 1) | 14 End connector (PVC-U - 2) |
| 3 O-Ring (EPDM-FKM - 1)* | 9 Nut (PVC-U - 1) | 15 Union nut (PVC-U - 2) |
| 4 Gland Packing (PE-PTFE - 2)* | 10 Bonnet (PVC-U - 1) | |
| 5 Locking clip (PVC-U - 1) | 11 Bottom sleeve (PVC-U - 1) | |
| 6 Body (PVC-U - 1) | 12 Gland (PVC-U - 1) | |

* Spare parts

The material of the component and the quantity supplied are indicated between brackets