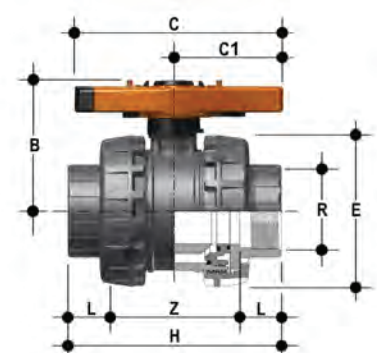


### VXEIV

Easyfit 2-way ball valve with female ends for solvent welding, metric series

d	DN	PN	B	C	C <sub>1</sub>	E	H	L	Z	g	PTFE - EPDM code	PTFE - FKM code	PE - EPDM code
75	65	16	142	214	115	157	211	44	123	2750	VXEIV075E	VXEIV075F	VXEIV075M
90	80	16	151	239	126	174	248	51	146	3432	VXEIV090E	VXEIV090F	VXEIV090M
110	100	16	174,5	270	145	212	283	61	161	5814	VXEIV110E	VXEIV110F	VXEIV110M



### VXEFV

Easyfit 2-way ball valve with BSP threaded female ends

R	DN	PN	B	C	C <sub>1</sub>	E	H	L	Z	g	PTFE - EPDM code	PTFE - FKM code	PE - EPDM code
2 1/2"	65	16	142	214	115	157	211	30,2	150,6	2750	VXEFV212E	VXEFV212F	VXEFV212M
3"	80	16	151	239	126	174	248	33,3	181,4	3432	VXEFV300E	VXEFV300F	VXEFV300M
4"	100	16	174,5	270	145	212	283	39,3	204,4	5814	VXEFV400E	VXEFV400F	VXEFV400M



### VXELV

Easyfit 2-way ball valve with female ends, BS series

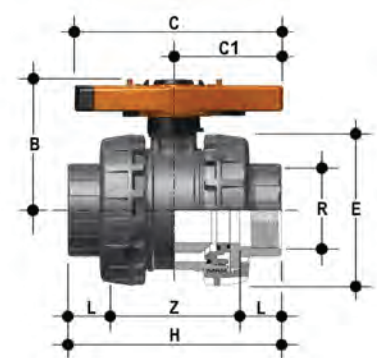
d	DN	PN	B	C	C <sub>1</sub>	E	H	L	Z	g	PTFE - EPDM code	PTFE - FKM code	PE - EPDM code
2 1/2"	65	16	142	214	115	157	211	44	123	2750	VXEIV075E	VXEIV075F	VXEIV075M
3"	80	16	151	239	126	174	248	51	146	3432	VXELV300E	VXELV300F	VXELV300M
4"	100	16	174,5	270	145	212	283	63	157	5814	VXELV400E	VXELV400F	VXELV400M



### VXEAV

Easyfit 2-way ball valve with female ends, ASTM series

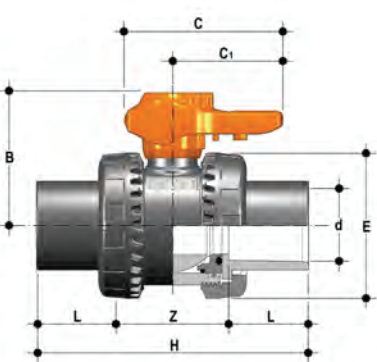
d	DN	PN	B	C	C <sub>1</sub>	E	H	L	Z	g	PTFE - EPDM code	PTFE - FKM code	PE - EPDM code
2 1/2"	65	16	142	214	115	157	211	44,5	122	2750	VXEAV212E	VXEAV212F	VXEAV212M
3"	80	16	151	239	126	174	248	48	152	3432	VXEAV300E	VXEAV300F	VXEAV300M
4"	100	16	174,5	270	145	212	283	57,5	168	5814	VXEAV400E	VXEAV400F	VXEAV400M



### VXENV

Easyfit 2-way ball valve with female ends, NPT thread

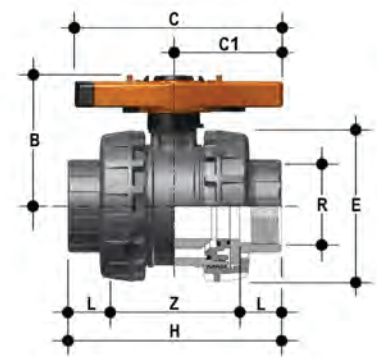
R	DN	PN	B	C	C <sub>1</sub>	E	H	L	Z	g	PTFE - EPDM code	PTFE - FKM code	PE - EPDM code
2 1/2"	65	16	142	214	115	157	211	33,2	144,6	2750	VXENV212E	VXENV212F	VXENV212M
3"	80	16	151	239	126	174	248	35,5	177	3432	VXENV300E	VXENV300F	VXENV300M
4"	100	16	174,5	270	145	212	283	37,6	207,8	5814	VXENV400E	VXENV400F	VXENV400M



### VXEJV

Easyfit 2-way ball valve with female ends, JIS series

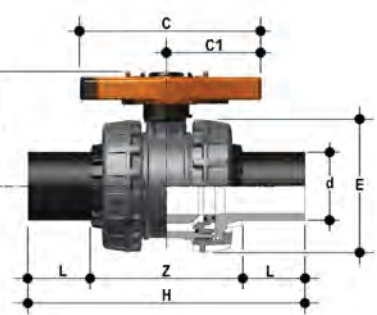
d	DN	PN	B	C	C <sub>1</sub>	E	H	L	Z	g	PTFE - EPDM code	PTFE - FKM code	PE - EPDM code
2 1/2"	65	16	142	214	115	157	243	61	121	2750	VXEJV212E	VXEJV212F	VXEJV212M
3"	80	16	151	239	126	174	272	64,5	143	3432	VXEJV300E	VXEJV300F	VXEJV300M
4"	100	16	174,5	270	145	212	332	84	164	5814	VXEJV400E	VXEJV400F	VXEJV400M



### VXEGV

Easyfit 2-way ball valve with female ends, JIS thread

R	DN	PN	B	C	C <sub>1</sub>	E	H	L	Z	g	PTFE - EPDM code	PTFE - FKM code	PE - EPDM code
2 1/2"	65	16	142	214	115	157	211	35	141	2750	VXEGV212E	VXEGV212F	VXEGV212M
3"	80	16	151	239	126	174	248	40	168	3432	VXEGV300E	VXEGV300F	VXEGV300M
4"	100	16	174,5	270	145	212	283	45	193	5814	VXEGV400E	VXEGV400F	VXEGV400M



### VXEBEV

Easyfit 2-way ball valve with PE100 SDR 11 male connectors for butt welding or electrofusion (CVDE)

d	DN	PN	B	C	C <sub>1</sub>	E	H	L	Z	g	PTFE - EPDM code	PTFE - FKM code	PE - EPDM code
75	65	16	141,5	214	115	157	331	71	189	2286	VXEBEV075E	VXEBEV075F	VXEBEV075M
90	80	16	151	239	126	174	367	88	191	3059	VXEBEV090E	VXEBEV090F	VXEBEV090M
110	100	10	174,5	270	145	212	407	92	223	5814	VXEBEV110E	VXEBEV110F	VXEBEV110M