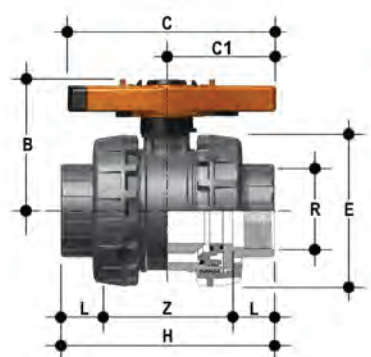


### VXEIC

Easyfit 2-way ball valve with female ends for solvent welding, metric series

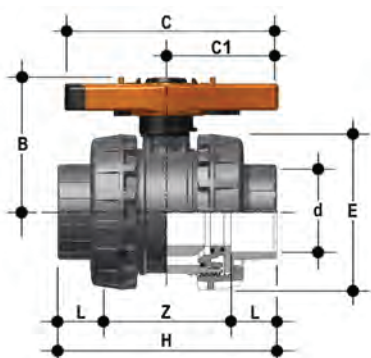
d	DN	PN	B	C	C <sub>1</sub>	E	H	L	Z	g	EPDM code	FKM code
75	65	16	142	214	115	157	211	44	123	2998	VXEIC075E	VXEIC075F
90	80	16	151	239	126	174	248	51	146	3741	VXEIC090E	VXEIC090F
110	100	16	174,5	270	145	212	283	61	161	6337	VXEIC110E	VXEIC110F



### VXEFC

Easyfit 2-way ball valve with BSP threaded female ends

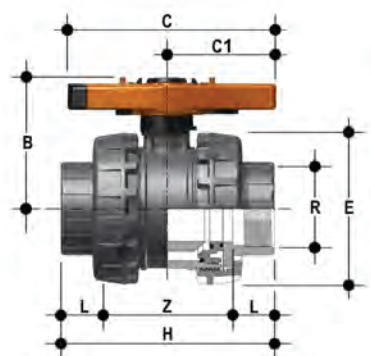
R	DN	PN	B	C	C <sub>1</sub>	E	H	L	Z	g	EPDM code	FKM code
2"1/2	65	16	142	214	115	157	211	30,2	150,6	2998	VXEFC212E	VXEFC212F
3"	80	16	151	239	126	174	248	33,3	181,4	3741	VXEFC300E	VXEFC300F
4"	100	16	174,5	270	145	212	283	39,3	204,4	6337	VXEFC400E	VXEFC400F



### VXEAC

Easyfit 2-way ball valve with female ends for solvent welding, ASTM series

d	DN	PN	B	C	C <sub>1</sub>	E	H	L	Z	g	EPDM code	FKM code
2"1/2	65	16	142	214	115	157	211	44,5	122	2998	VXEAC212E	VXEAC212F
3"	80	16	151	239	126	174	248	48	152	3741	VXEAC300E	VXEAC300F
4"	100	16	174,5	270	145	212	283	57,5	168	6337	VXEAC400E	VXEAC400F



### VXENC

Easyfit 2-way ball valve with female ends, NPT thread

R	DN	PN	B	C	C <sub>1</sub>	E	H	L	Z	g	EPDM code	FKM code
2"1/2	65	16	142	214	115	157	211	33,2	144,6	2998	VXENC212E	VXENC212F
3"	80	16	151	239	126	174	248	35,5	177	3741	VXENC300E	VXENC300F
4"	100	16	174,5	270	145	212	283	37,6	207,8	6337	VXENC400E	VXENC400F