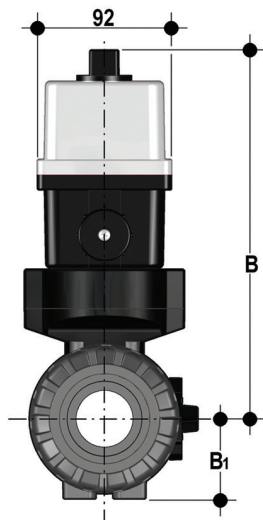


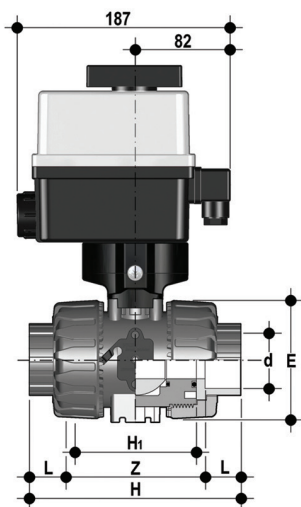
# DIMENSIONS

## VKR/CE DN 10÷50 PVC-U



Dimensions common to all versions

DN	B	B <sub>1</sub>
10	205	29
15	205	29
20	216	34.5
25	221	39
32	238	46
40	244	52
50	261	62



### VKRIV/CE 90-240 V AC 4-20 mA

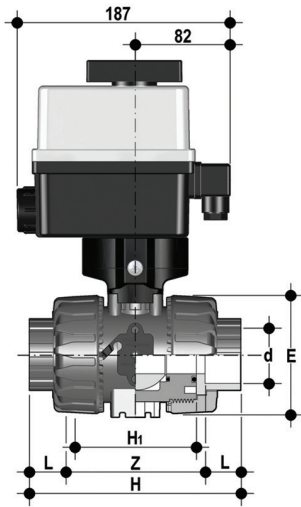
DUAL BLOCK® regulating ball valve with female metric ends with multi-volt electric modulating actuator 90-240 V AC 50-60 Hz

d	DN	PN	E	H	H <sub>1</sub>	L	Z	g	EPDM Code	FKM Code
16	10	16	54	103	65	14	75	1785	VKRIVEM016E0E	VKRIVEM016F0E
20	15	16	54	103	65	16	71	1775	VKRIVEM020E0E	VKRIVEM020F0E
25	20	16	65	115	70	19	77	1903	VKRIVEM025E0E	VKRIVEM025F0E
32	25	16	73	128	78	22	84	2011	VKRIVEM032E0E	VKRIVEM032F0E
40	32	16	86	146	88	26	94	2369	VKRIVEM040E0E	VKRIVEM040F0E
50	40	16	98	164	93	31	102	2601	VKRIVEM050E0E	VKRIVEM050F0E
63	50	*10	122	199	111	38	123	3218	VKRIVEM063E0E	VKRIVEM063F0E

\* PN16 upon request

# DIMENSIONS

## VKR/CE DN 10÷50 PVC-U

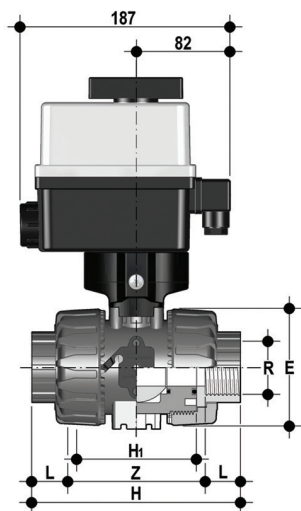


### VKRIV/CE 24 V AC/DC 4-20 mA

DUAL BLOCK® regulating ball valve with female metric ends with electric modulating 24 V AC/DC

d	DN	PN	E	H	H <sub>1</sub>	L	Z	g	EPDM Code	FKM Code
16	10	16	54	103	65	14	75	1785	VKRIVEL016E0E	VKRIVEL016F0E
20	15	16	54	103	65	16	71	1775	VKRIVEL020E0E	VKRIVEL020F0E
25	20	16	65	115	70	19	77	1903	VKRIVEL025E0E	VKRIVEL025F0E
32	25	16	73	128	78	22	84	2011	VKRIVEL032E0E	VKRIVEL032F0E
40	32	16	86	146	88	26	94	2369	VKRIVEL040E0E	VKRIVEL040F0E
50	40	16	98	164	93	31	102	2601	VKRIVEL050E0E	VKRIVEL050F0E
63	50	*10	122	199	111	38	123	3218	VKRIVEL063E0E	VKRIVEL063F0E

\* PN16 upon request



### VKRFV/CE 90-240 V AC 4-20 mA

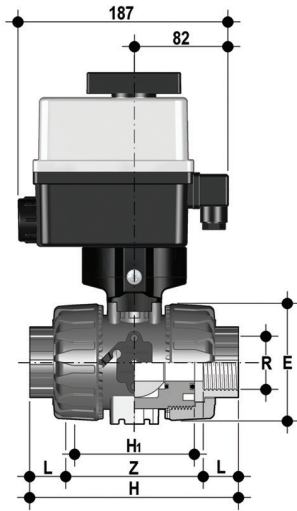
DUAL BLOCK® regulating ball valve with female ends, gas cylinder thread with multi-volt electric modulating actuator 90-240 V AC 50-60 Hz

R	DN	PN	E	H	H <sub>1</sub>	L	Z	g	EPDM Code	FKM Code
3/8"	10	16	54	103	65	12	80	1785	VKRFVEM038E0E	VKRFVEM038F0E
1/2"	15	16	54	110	65	15	80	1775	VKRFVEM012E0E	VKRFVEM012F0E
3/4"	20	16	65	116	70	16	83	1903	VKRFVEM034E0E	VKRFVEM034F0E
1"	25	16	73	134	78	19	96	2011	VKRFVEM100E0E	VKRFVEM100F0E
1" 1/4	32	16	86	153	88	21	110	2369	VKRFVEM114E0E	VKRFVEM114F0E
1" 1/2	40	16	98	156	93	21	113	2601	VKRFVEM112E0E	VKRFVEM112F0E
2"	50	*10	122	186	111	26	135	3218	VKRFVEM200E0E	VKRFVEM200F0E

\* PN16 upon request

# DIMENSIONS

## VKR/CE DN 10÷50 PVC-U

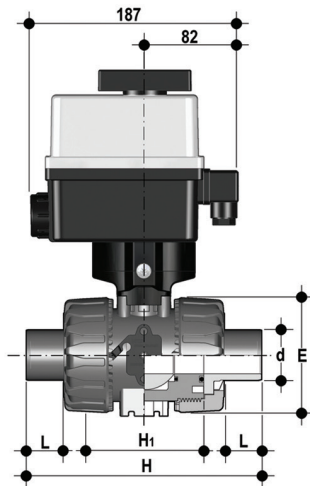


### VKRFV/CE 24 V AC/DC 4-20 mA

DUAL BLOCK® regulating ball valve with female ends, gas cylinder thread with electric modulating actuator 24 V AC/DC

R	DN	PN	E	H	H <sub>i</sub>	L	Z	g	EPDM Code	FKM Code
3/8"	10	16	54	103	65	12	80	1785	VKRFVELO38E0E	VKRFVELO38F0E
1/2"	15	16	54	110	65	15	80	1775	VKRFVELO12E0E	VKRFVELO12F0E
3/4"	20	16	65	116	70	16	83	1903	VKRFVELO34E0E	VKRFVELO34F0E
1"	25	16	73	134	78	19	96	2011	VKRFVEL100E0E	VKRFVEL100F0E
1" 1/4	32	16	86	153	88	21	110	2369	VKRFVEL114E0E	VKRFVEL114F0E
1" 1/2	40	16	98	156	93	21	113	2601	VKRFVEL112E0E	VKRFVEL112F0E
2"	50	*10	122	186	111	26	135	3218	VKRFVEL200E0E	VKRFVEL200F0E

\* PN16 upon request



### VKRDV/CE 90-240 V AC 4-20 mA

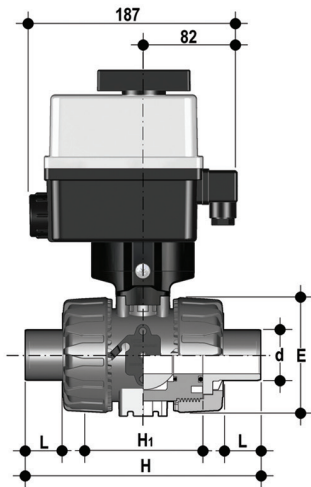
DUAL BLOCK® regulating ball valve with male ends, metric series with multi-volt electric modulating actuator 90-240 V AC 50-60 Hz

d	DN	PN	E	H	H <sub>i</sub>	L	g	EPDM Code	FKM Code
16	10	16	54	149	65	14	1785	VKRDVEM016E0E	VKRDVEM016F0E
20	15	16	54	124	65	16	1775	VKRDVEM020E0E	VKRDVEM020F0E
25	20	16	65	144	70	19	1903	VKRDVEM025E0E	VKRDVEM025F0E
32	25	16	73	154	78	22	2011	VKRDVEM032E0E	VKRDVEM032F0E
40	32	16	86	174	88	26	2369	VKRDVEM040E0E	VKRDVEM040F0E
50	40	16	98	194	93	31	2601	VKRDVEM050E0E	VKRDVEM050F0E
63	50	*10	122	224	111	38	3218	VKRDVEM063E0E	VKRDVEM063F0E

\* PN16 upon request

# DIMENSIONS

## VKR/CE DN 10÷50 PVC-U

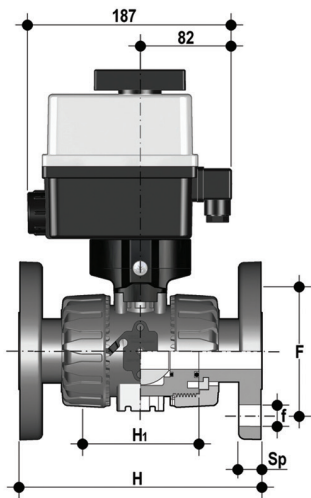


### VKRDV/CE 24 V AC/DC 4-20 mA

DUAL BLOCK® regulating ball valve with male ends, metric series with electric modulating actuator 24 V AC/DC

d	DN	PN	E	H	H <sub>1</sub>	L	g	EPDM Code	FKM Code
16	10	16	54	149	65	14	1785	VKRDVEL016E0E	VKRDVEL016F0E
20	15	16	54	124	65	16	1775	VKRDVEL020E0E	VKRDVEL020F0E
25	20	16	65	144	70	19	1903	VKRDVEL025E0E	VKRDVEL025F0E
32	25	16	73	154	78	22	2011	VKRDVEL032E0E	VKRDVEL032F0E
40	32	16	86	174	88	26	2369	VKRDVEL040E0E	VKRDVEL040F0E
50	40	16	98	194	93	31	2601	VKRDVEL050E0E	VKRDVEL050F0E
63	50	*10	122	224	111	38	3218	VKRDVEL063E0E	VKRDVEL063F0E

\* PN16 upon request



### VKROV/CE 90-240 V AC 4-20 mA

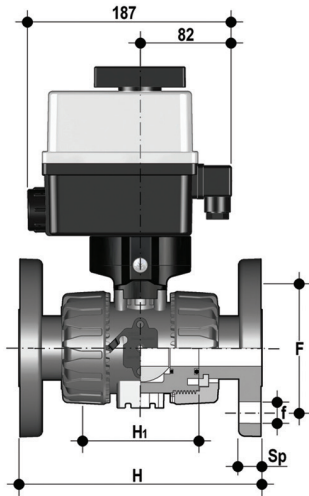
DUAL BLOCK® regulating ball valve with fixed flanges, drilled EN/ISO/DIN PN10/16. Face to face according to EN 558-1 with multi-volt electric modulating actuator 90-240 V AC 50-60 Hz

d	DN	PN	H	H <sub>1</sub>	F	f	U	Sp	g	EPDM Code	FKM Code
20	15	16	130	65	65	14	4	11	1775	VKROVEM020E0E	VKROVEM020F0E
25	20	16	150	70	75	14	4	14	1903	VKROVEM025E0E	VKROVEM025F0E
32	25	16	160	78	85	14	4	14	2011	VKROVEM032E0E	VKROVEM032F0E
40	32	16	180	88	100	18	4	14	2369	VKROVEM040E0E	VKROVEM040F0E
50	40	16	200	93	110	18	4	16	2601	VKROVEM050E0E	VKROVEM050F0E
63	50	*10	230	111	125	18	4	16	3218	VKROVEM063E0E	VKROVEM063F0E

\* PN16 upon request

# DIMENSIONS

## VKR/CE DN 10÷50 PVC-U

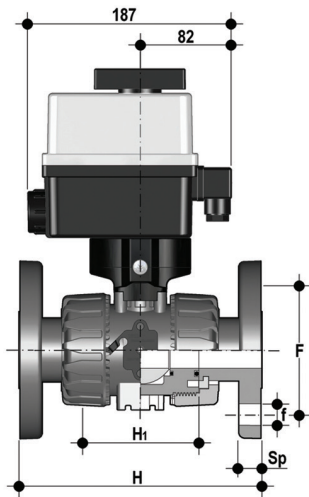


### VKROV/CE 24 V AC/DC 4-20 mA

DUAL BLOCK® regulating ball valve with fixed flanges, drilled EN/ISO/DIN PN10/16. Face to face according to EN 558-1 with electric modulating 24 V AC/DC

d	DN	PN	H	H <sub>1</sub>	F	f	U	Sp	g	EPDM Code	FKM Code
20	15	16	130	65	65	14	4	11	1775	VKROVELO20E0E	VKROVELO20F0E
25	20	16	150	70	75	14	4	14	1903	VKROVELO25E0E	VKROVELO25F0E
32	25	16	160	78	85	14	4	14	2011	VKROVELO32E0E	VKROVELO32F0E
40	32	16	180	88	100	18	4	14	2369	VKROVELO40E0E	VKROVELO40F0E
50	40	16	200	93	110	18	4	16	2601	VKROVELO50E0E	VKROVELO50F0E
63	50	*10	230	111	125	18	4	16	3218	VKROVELO63E0E	VKROVELO63F0E

\* PN16 upon request



### VKROAV/CE 90-240 V AC 4-20 mA

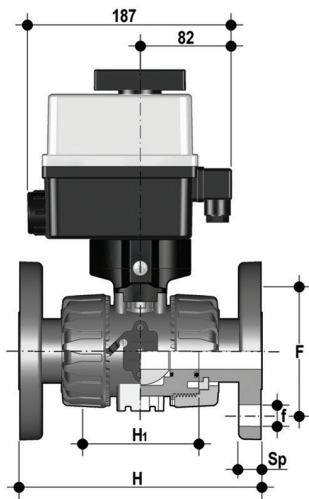
DUAL BLOCK® regulating ball valve with fixed flanges, drilled ANSI B16.5 cl.150#FF with multi-volt electric modulating actuator 90-240 V AC 50-60 Hz

d	DN	PN	H	H <sub>1</sub>	F	f	U	Sp	g	EPDM Code	FKM Code
1/2"	15	16	143	65	60.3	15.9	4	11	1775	VKROAVEM012E0E	VKROAVEM012F0E
3/4"	20	16	172	70	69.9	15.9	4	14	1903	VKROAVEM034E0E	VKROAVEM034F0E
1"	25	16	187	78	79.4	15.9	4	14	2011	VKROAVEM100E0E	VKROAVEM100F0E
1" 1/4	32	16	190	88	88.9	15.9	4	14	2369	VKROAVEM114E0E	VKROAVEM114F0E
1" 1/2	40	16	212	93	98.4	15.9	4	16	2601	VKROAVEM112E0E	VKROAVEM112F0E
2"	50	*10	234	111	120.7	19.1	4	16	3218	VKROAVEM200E0E	VKROAVEM200F0E

\* PN16 upon request

# DIMENSIONS

## VKR/CE DN 10÷50 PVC-U

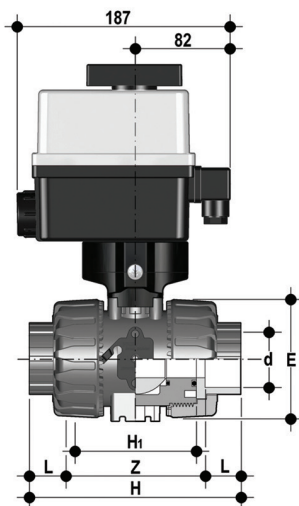


### VKROAV/CE 24 V AC/DC 4-20 mA

DUAL BLOCK® regulating ball valve with fixed flanges, drilled ANSI B16.5 cl.150#FF with electric modulating 24 V AC/DC

d	DN	PN	H	H <sub>i</sub>	F	f	U	Sp	g	EPDM Code	FKM Code
1/2"	15	16	143	65	60.3	15.9	4	11	1775	VKROAVEL012E0E	VKROAVEL012F0E
3/4"	20	16	172	70	69.9	15.9	4	14	1903	VKROAVEL034E0E	VKROAVEL034F0E
1"	25	16	187	78	79.4	15.9	4	14	2011	VKROAVEL100E0E	VKROAVEL100F0E
1" 1/4	32	16	190	88	88.9	15.9	4	14	2369	VKROAVEL114E0E	VKROAVEL114F0E
1" 1/2	40	16	212	93	98.4	15.9	4	16	2601	VKROAVEL112E0E	VKROAVEL112F0E
2"	50	*10	234	111	120.7	19.1	4	16	3218	VKROAVEL200E0E	VKROAVEL200F0E

\* PN16 upon request



### VKRLV/CE 90-240 V AC 4-20 mA

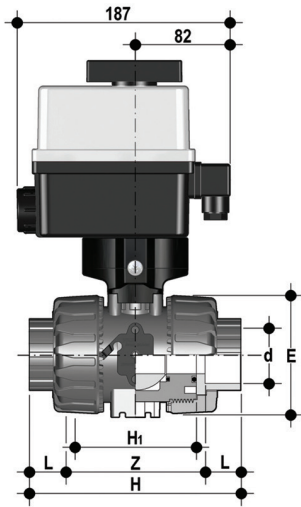
DUAL BLOCK® regulating ball valve with female ends for solvent welding, BS series with multi-volt electric modulating actuator 90-240 V AC 50-60 Hz

d	DN	PN	E	H	H <sub>i</sub>	L	Z	g	EPDM Code	FKM Code
3/8"	10	16	54	103	65	14.5	74	1785	VKRLVEM038E0E	VKRLVEM038F0E
1/2"	15	16	54	103	65	16.5	70	1775	VKRLVEM012E0E	VKRLVEM012F0E
3/4"	20	16	65	115	70	19	77	1903	VKRLVEM034E0E	VKRLVEM034F0E
1"	25	16	73	128	78	22.5	83	2011	VKRLVEM100E0E	VKRLVEM100F0E
1" 1/4	32	16	86	146	88	26	94	2369	VKRLVEM114E0E	VKRLVEM114F0E
1" 1/2	40	16	98	164	93	30	104	2601	VKRLVEM112E0E	VKRLVEM112F0E
2"	50	*10	122	199	111	36	127	3218	VKRLVEM200E0E	VKRLVEM200F0E

\* PN16 upon request

# DIMENSIONS

## VKR/CE DN 10÷50 PVC-U

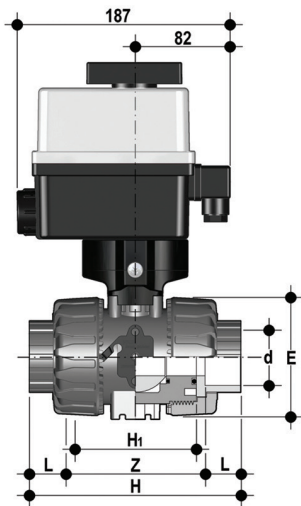


### VKRLV/CE 24 V AC/DC 4-20 mA

DUAL BLOCK® regulating ball valve with female ends for solvent welding, BS series with electric modulating actuator 24 V AC/DC

d	DN	PN	E	H	H <sub>1</sub>	L	Z	g	EPDM Code	FKM Code
3/8"	10	16	54	103	65	14.5	74	1785	VKRLVEL038E0E	VKRLVEL038F0E
1/2"	15	16	54	103	65	16.5	70	1775	VKRLVEL012E0E	VKRLVEL012F0E
3/4"	20	16	65	115	70	19	77	1903	VKRLVEL034E0E	VKRLVEL034F0E
1"	25	16	73	128	78	22.5	83	2011	VKRLVEL100E0E	VKRLVEL100F0E
1" 1/4	32	16	86	146	88	26	94	2369	VKRLVEL114E0E	VKRLVEL114F0E
1" 1/2	40	16	98	164	93	30	104	2601	VKRLVEL112E0E	VKRLVEL112F0E
2"	50	*10	122	199	111	36	127	3218	VKRLVEL200E0E	VKRLVEL200F0E

\* PN16 upon request



### VKRAV/CE 90-240 V AC 4-20 mA

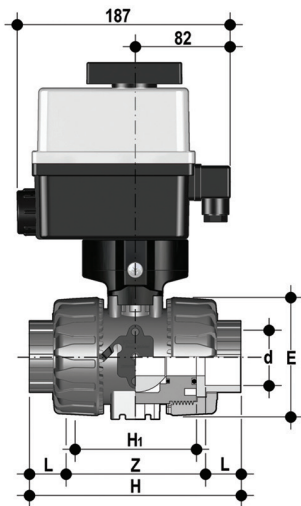
DUAL BLOCK® regulating ball valve with female ends for solvent welding, ASTM series with multi-volt electric modulating actuator 90-240 V AC 50-60 Hz

d	DN	PN	E	H	H <sub>1</sub>	L	Z	g	EPDM Code	FKM Code
3/8"	10	16	54	117	65	19.5	78	1785	VKRAVEM038E0E	VKRAVEM038F0E
1/2"	15	16	54	117	65	22.5	72	1775	VKRAVEM012E0E	VKRAVEM012F0E
3/4"	20	16	65	129	70	25.5	78	1903	VKRAVEM034E0E	VKRAVEM034F0E
1"	25	16	73	142	78	28.7	84.6	2011	VKRAVEM100E0E	VKRAVEM100F0E
1" 1/4	32	16	86	162	88	32	98	2369	VKRAVEM114E0E	VKRAVEM114F0E
1" 1/2	40	16	98	172	93	35	102	2601	VKRAVEM112E0E	VKRAVEM112F0E
2"	50	*10	122	199	111	38.2	122.6	3218	VKRAVEM200E0E	VKRAVEM200F0E

\* PN16 upon request

# DIMENSIONS

## VKR/CE DN 10÷50 PVC-U

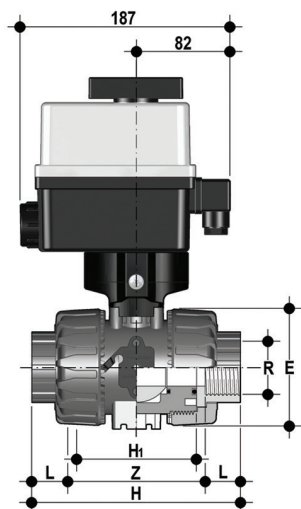


### VKRAV/CE 24 V AC/DC 4-20 mA

DUAL BLOCK® regulating ball valve with female ends for solvent welding, ASTM series with electric modulating actuator 24 V AC/DC

d	DN	PN	E	H	H <sub>1</sub>	L	Z	g	EPDM Code	FKM Code
3/8"	10	16	54	117	65	19.5	78	1785	VKRAVEL038E0E	VKRAVEL038F0E
1/2"	15	16	54	117	65	22.5	72	1775	VKRAVEL012E0E	VKRAVEL012F0E
3/4"	20	16	65	129	70	25.5	78	1903	VKRAVEL034E0E	VKRAVEL034F0E
1"	25	16	73	142	78	28.7	84.6	2011	VKRAVEL100E0E	VKRAVEL100F0E
1" 1/4	32	16	86	162	88	32	98	2369	VKRAVEL114E0E	VKRAVEL114F0E
1" 1/2	40	16	98	172	93	35	102	2601	VKRAVEL112E0E	VKRAVEL112F0E
2"	50	*10	122	199	111	38.2	122.6	3218	VKRAVEL200E0E	VKRAVEL200F0E

\* PN16 upon request



### VKRVN/CE 90-240 V AC 4-20 mA

DUAL BLOCK® regulating ball valve with female ends, NPT thread with multi-volt electric modulating actuator 90-240 V AC 50-60 Hz

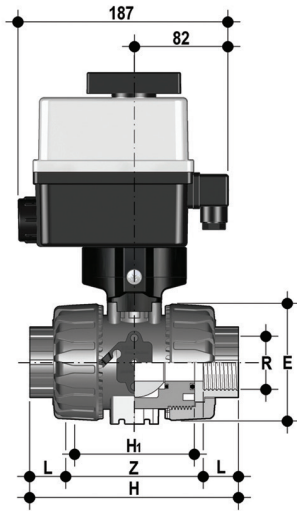
R	DN	PN	E	H	H <sub>1</sub>	L	Z	g	EPDM Code	FKM Code
3/8"	10	16	54	103	65	13.7	75.6	1785	VKRVNEM038E0E	VKRVNEM038F0E
1/2"	15	16	54	111	65	17.8	75.4	1775	VKRVNEM012E0E	VKRVNEM012F0E
3/4"	20	16	65	117	70	18	81	1903	VKRVNEM034E0E	VKRVNEM034F0E
1"	25	16	73	135	78	22.6	89.8	2011	VKRVNEM100E0E	VKRVNEM100F0E
1" 1/4	32	16	86	153	88	25.1	102.8	2369	VKRVNEM114E0E	VKRVNEM114F0E
1" 1/2	40	16	98	156	93	24.7	106.6	2601	VKRVNEM112E0E	VKRVNEM112F0E
2"	50	*10	122	186	111	29.6	126.8	3218	VKRVNEM200E0E	VKRVNEM200F0E

\* PN16 upon request



# DIMENSIONS

## VKR/CE DN 10÷50 PVC-U

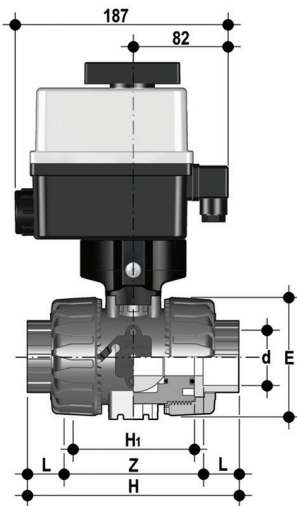


### VKRN/CE 24 V AC/DC 4-20 mA

DUAL BLOCK® regulating ball valve with female ends, NPT thread with electric modulating actuator 24 V AC/DC

R	DN	PN	E	H	H <sub>1</sub>	L	Z	g	EPDM Code	FKM Code
3/8"	10	16	54	103	65	13.7	75.6	1785	VKRNVELO38E0E	VKRNVELO38FOE
1/2"	15	16	54	111	65	17.8	75.4	1775	VKRNVELO12E0E	VKRNVELO12FOE
3/4"	20	16	65	117	70	18	81	1903	VKRNVELO34E0E	VKRNVELO34FOE
1"	25	16	73	135	78	22.6	89.8	2011	VKRNVEL100E0E	VKRNVEL100FOE
1" 1/4	32	16	86	153	88	25.1	102.8	2369	VKRNVEL114E0E	VKRNVEL114FOE
1" 1/2	40	16	98	156	93	24.7	106.6	2601	VKRNVEL112E0E	VKRNVEL112FOE
2"	50	*10	122	186	111	29.6	126.8	3218	VKRNVEL200E0E	VKRNVEL200FOE

\* PN16 upon request



### VKRJV/CE 90-240 V AC 4-20 mA

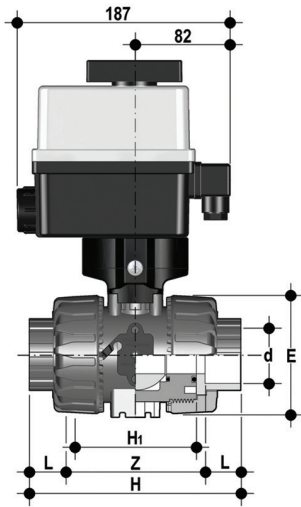
DUAL BLOCK® regulating ball valve with female ends for solvent welding, JIS series with multi-volt electric modulating actuator 90-240 V AC 50-60 Hz

d	DN	PN	E	H	H <sub>1</sub>	L	Z	g	EPDM Code	FKM Code
1/2"	15	16	54	131	65	30	71	1775	VKRJVEM012E0E	VKRJVEM012FOE
3/4"	20	16	65	147	70	35	77	1903	VKRJVEM034E0E	VKRJVEM034FOE
1"	25	16	73	164	78	40	84	2011	VKRJVEM100E0E	VKRJVEM100FOE
1" 1/4	32	16	86	182	88	44	94	2369	VKRJVEM114E0E	VKRJVEM114FOE
1" 1/2	40	16	98	212	93	55	102	2601	VKRJVEM112E0E	VKRJVEM112FOE
2"	50	*10	122	248	111	63	122	3218	VKRJVEM200E0E	VKRJVEM200FOE

\* PN16 upon request

# DIMENSIONS

## VKR/CE DN 10÷50 PVC-U

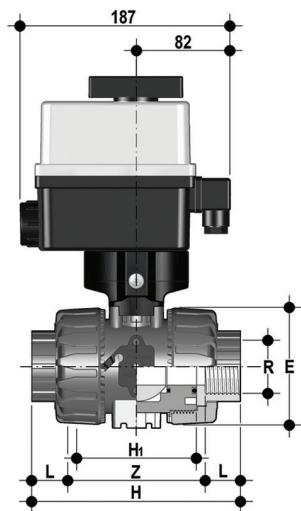


### VKRJV/CE 24 V AC/DC 4-20 mA

DUAL BLOCK® regulating ball valve with female ends for solvent welding, JIS series with electric modulating actuator 24 V AC/DC

d	DN	PN	E	H	H <sub>i</sub>	L	Z	g	EPDM Code	FKM Code
1/2"	15	16	54	131	65	30	71	1775	VKRJVEL012E0E	VKRJVEL012F0E
3/4"	20	16	65	147	70	35	77	1903	VKRJVEL034E0E	VKRJVEL034F0E
1"	25	16	73	164	78	40	84	2011	VKRJVEL100E0E	VKRJVEL100F0E
1" 1/4	32	16	86	182	88	44	94	2369	VKRJVEL114E0E	VKRJVEL114F0E
1" 1/2	40	16	98	212	93	55	102	2601	VKRJVEL112E0E	VKRJVEL112F0E
2"	50	*10	122	248	111	63	122	3218	VKRJVEL200E0E	VKRJVEL200F0E

\* PN16 upon request



### VKRGV/CE 90-240 V AC 4-20 mA

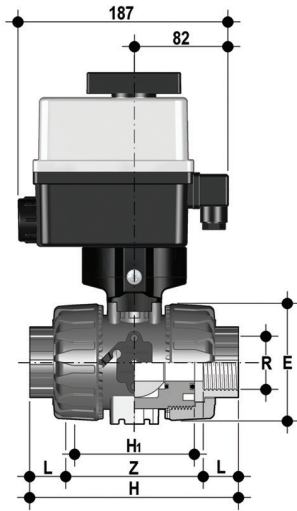
DUAL BLOCK® regulating ball valve with female ends, JIS thread with multi-volt electric modulating actuator 90-240 V AC 50-60 Hz

R	DN	PN	E	H	H <sub>i</sub>	L	Z	g	EPDM Code	FKM Code
1/2"	15	16	54	103	65	16	71	1775	VKRGVEM012E0E	VKRGVEM012F0E
3/4"	20	16	65	115	70	19	77	1903	VKRGVEM034E0E	VKRGVEM034F0E
1"	25	16	73	128	78	22	84	2011	VKRGVEM100E0E	VKRGVEM100F0E
1" 1/4	32	16	86	146	88	25	96	2369	VKRGVEM114E0E	VKRGVEM114F0E
1" 1/2	40	16	98	164	93	26	112	2601	VKRGVEM112E0E	VKRGVEM112F0E
2"	50	*10	122	199	111	31	137	3218	VKRGVEM200E0E	VKRGVEM200F0E

\* PN16 upon request

# DIMENSIONS

## VKR/CE DN 10÷50 PVC-U



### VKRGV/CE 24 V AC/DC 4-20 mA

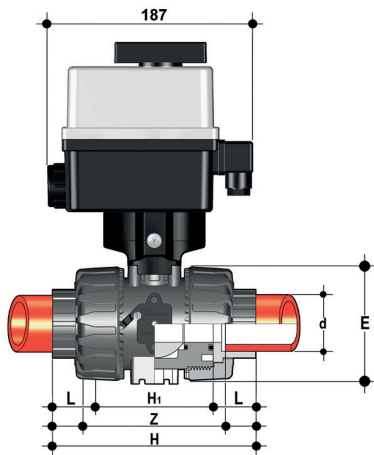
DUAL BLOCK® regulating ball valve with female ends, JIS thread with electric modulating actuator 24 V AC/DC

R	DN	PN	E	H	H <sub>1</sub>	L	Z	g	EPDM Code	FKM Code
1/2"	15	16	54	103	65	16	71	1775	VKRGVEL012E0E	VKRGVEL012F0E
3/4"	20	16	65	115	70	19	77	1903	VKRGVEL034E0E	VKRGVEL034F0E
1"	25	16	73	128	78	22	84	2011	VKRGVEL100E0E	VKRGVEL100F0E
1" 1/4	32	16	86	146	88	25	96	2369	VKRGVEL114E0E	VKRGVEL114F0E
1" 1/2	40	16	98	164	93	26	112	2601	VKRGVEL112E0E	VKRGVEL112F0E
2"	50	*10	122	199	111	31	137	3218	VKRGVEL200E0E	VKRGVEL200F0E

\* PN16 upon request

# DIMENSIONS

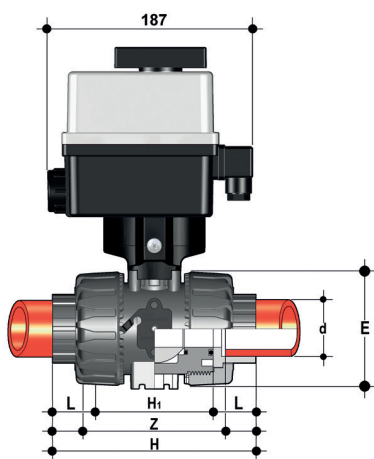
## VKR/CE DN 10÷50 PP-H



### VKRIM/CE 90-240 V AC 4-20 mA

DUAL BLOCK® regulating ball valve with female ends for socket welding, metric series with multi-volt electric modulating actuator 90-240 V AC 50-60 Hz

d	DN	PN	E	H	H <sub>1</sub>	L	Z	g	EPDM Code	FKM Code
16	10	10	54	102	65	14	74.5	1720	VKRIMEM016E0E	VKRIMEM016F0E
20	15	10	54	102	65	15	73	1715	VKRIMEM020E0E	VKRIMEM020F0E
25	20	10	65	114	70	17	82	1791	VKRIMEM025E0E	VKRIMEM025F0E
32	25	10	73	126	78	19	90	1871	VKRIMEM032E0E	VKRIMEM032F0E
40	32	10	86	141	88	23	100	2156	VKRIMEM040E0E	VKRIMEM040F0E
50	40	10	98	164	93	24	117	2358	VKRIMEM050E0E	VKRIMEM050F0E
63	50	10	122	199	111	28	144	2807	VKRIMEM063E0E	VKRIMEM063F0E



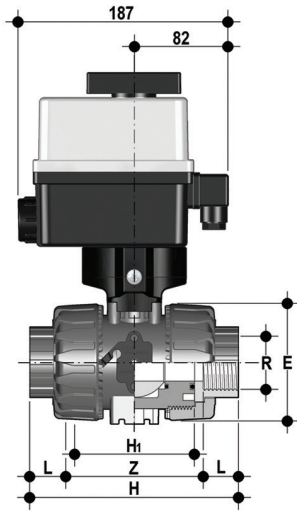
### VKRIM/CE 24 V AC/DC 4-20 mA

DUAL BLOCK® regulating ball valve with female ends for socket welding, metric series with electric modulating actuator 24 V AC/DC, 12 V DC

d	DN	PN	E	H	H <sub>1</sub>	L	Z	g	EPDM Code	FKM Code
16	10	10	54	102	65	14	74.5	1720	VKRIMEL016E0E	VKRIMEL016F0E
20	15	10	54	102	65	15	73	1715	VKRIMEL020E0E	VKRIMEL020F0E
25	20	10	65	114	70	17	82	1791	VKRIMEL025E0E	VKRIMEL025F0E
32	25	10	73	126	78	19	90	1871	VKRIMEL032E0E	VKRIMEL032F0E
40	32	10	86	141	88	23	100	2156	VKRIMEL040E0E	VKRIMEL040F0E
50	40	10	98	164	93	24	117	2358	VKRIMEL050E0E	VKRIMEL050F0E
63	50	10	122	199	111	28	144	2807	VKRIMEL063E0E	VKRIMEL063F0E

# DIMENSIONS

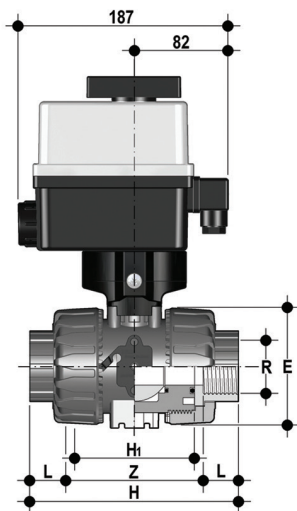
## VKR/CE DN 10÷50 PP-H



### VKRFM/CE 90-240 V AC 4-20 mA

DUAL BLOCK® regulating ball valve with BSP thread female ends with multi-volt electric modulating actuator 90-240 V AC 50-60 Hz

R	DN	PN	E	H	H <sub>i</sub>	L	Z	g	EPDM Code	FKM Code
1/2"	15	10	54	110	65	16	83	1715	VKRFMEM012E0E	VKRFMEM012F0E
3/4"	20	10	65	116	70	19	96	1791	VKRFMEM034E0E	VKRFMEM034F0E
1"	25	10	73	134	78	21	110	1871	VKRFMEM100E0E	VKRFMEM100F0E
1" 1/4	32	10	86	153	88	21	113	2156	VKRFMEM114E0E	VKRFMEM114F0E
1" 1/2	40	10	98	156	93	26	135	2358	VKRFMEM112E0E	VKRFMEM112F0E
2"	50	10	122	186	111	26	135	2807	VKRFMEM200E0E	VKRFMEM200F0E



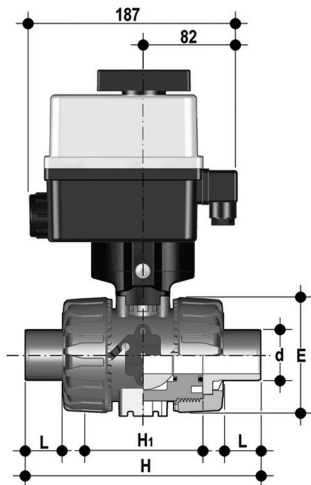
### VKRFM/CE 24 V AC/DC 4-20 mA

DUAL BLOCK® regulating ball valve with BSP thread female ends with multi-volt electric modulating actuator 24 V AC/DC, 12 V DC

R	DN	PN	E	H	H <sub>i</sub>	L	Z	g	EPDM Code	FKM Code
1/2"	15	10	54	110	65	16	83	1715	VKRFMEL012E0E	VKRFMEL012F0E
3/4"	20	10	65	116	70	19	96	1791	VKRFMEL034E0E	VKRFMEL034F0E
1"	25	10	73	134	78	21	110	1871	VKRFMEL100E0E	VKRFMEL100F0E
1" 1/4	32	10	86	153	88	21	113	2156	VKRFMEL114E0E	VKRFMEL114F0E
1" 1/2	40	10	98	156	93	26	135	2358	VKRFMEL112E0E	VKRFMEL112F0E
2"	50	10	122	186	111	26	135	2807	VKRFMEL200E0E	VKRFMEL200F0E

# DIMENSIONS

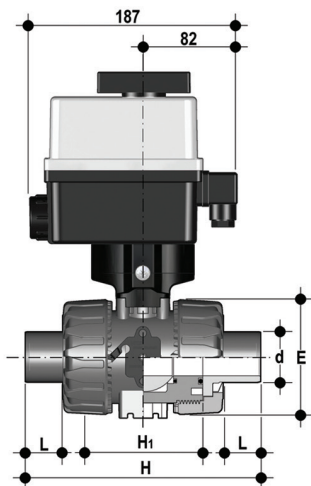
## VKR/CE DN 10÷50 PP-H



### VKRDM/CE 90-240 V AC 4-20 mA

DUAL BLOCK® regulating ball valve with long spigot male ends in PP-H for head welding (CVDM) with multi-volt electric modulating actuator 90-240 V AC 50-60 Hz

d	DN	PN	E	H	H <sub>1</sub>	L	g	EPDM Code	FKM Code
20	15	10	54	124	65	16	1715	VKRDMEM020E0E	VKRDMEM020F0E
25	20	10	65	144	70	18	1791	VKRDMEM025E0E	VKRDMEM025F0E
32	25	10	73	154	78	20	1871	VKRDMEM032E0E	VKRDMEM032F0E
40	32	10	86	174	88	22	2156	VKRDMEM040E0E	VKRDMEM040F0E
50	40	10	98	194	93	23	2358	VKRDMEM050E0E	VKRDMEM050F0E
63	50	10	122	224	111	29	2807	VKRDMEM063E0E	VKRDMEM063F0E



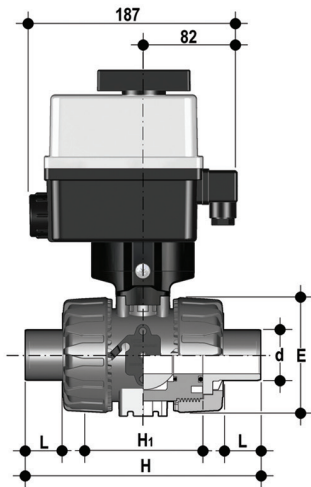
### VKRDM/CE 24 V AC/DC 4-20 mA

DUAL BLOCK® regulating ball valve with long spigot male ends in PP-H for head welding (CVDM) with multi-volt electric modulating actuator 24 V AC/DC, 12 V DC

d	DN	PN	E	H	H <sub>1</sub>	L	g	EPDM Code	FKM Code
20	15	10	54	124	65	16	1715	VKRDMEL020E0E	VKRDMEL020F0E
25	20	10	65	144	70	18	1791	VKRDMEL025E0E	VKRDMEL025F0E
32	25	10	73	154	78	20	1871	VKRDMEL032E0E	VKRDMEL032F0E
40	32	10	86	174	88	22	2156	VKRDMEL040E0E	VKRDMEL040F0E
50	40	10	98	194	93	23	2358	VKRDMEL050E0E	VKRDMEL050F0E
63	50	10	122	224	111	29	2807	VKRDMEL063E0E	VKRDMEL063F0E

# DIMENSIONS

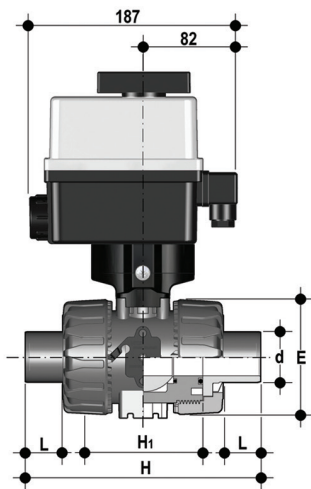
## VKR/CE DN 10÷50 PP-H



### VKRBM/CE 90-240 V AC 4-20 mA

DUAL BLOCK® regulating ball valve with long spigot male ends in PP-H for head welding (CVDM) with multi-volt electric modulating actuator 90-240 V AC 50-60 Hz

d	DN	PN	E	H	Hi	L	Z	g	EPDM Code	FKM Code
20	15	10	54	175	65	41	93	1715	VKRBMEM020E0E	VKRBMEM020F0E
25	20	10	65	210	70	52	106	1791	VKRBMEM025E0E	VKRBMEM025F0E
32	25	10	73	226	78	55	116	1871	VKRBMEM032E0E	VKRBMEM032F0E
40	32	10	86	243	88	56	131	2156	VKRBMEM040E0E	VKRBMEM040F0E
50	40	10	98	261	93	58	145	2358	VKRBMEM050E0E	VKRBMEM050F0E
63	50	10	122	293	111	66	161	2807	VKRBMEM063E0E	VKRBMEM063F0E



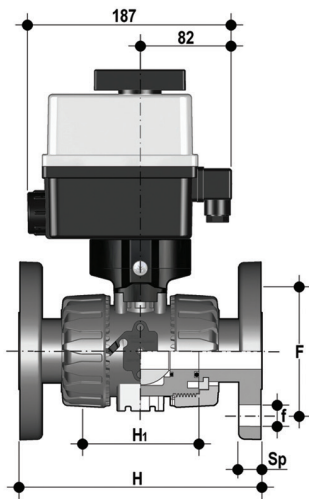
### VKRBM/CE 24 V AC/DC 4-20 mA

DUAL BLOCK® regulating ball valve with long spigot male ends in PP-H for head welding (CVDM) with multi-volt electric modulating actuator 24 V AC/DC, 12 V DC

d	DN	PN	E	H	Hi	L	Z	g	EPDM Code	FKM Code
20	15	10	54	175	65	41	93	1715	VKRBMEL020E0E	VKRBMEL020F0E
25	20	10	65	210	70	52	106	1791	VKRBMEL025E0E	VKRBMEL025F0E
32	25	10	73	226	78	55	116	1871	VKRBMEL032E0E	VKRBMEL032F0E
40	32	10	86	243	88	56	131	2156	VKRBMEL040E0E	VKRBMEL040F0E
50	40	10	98	261	93	58	145	2358	VKRBMEL050E0E	VKRBMEL050F0E
63	50	10	122	293	111	66	161	2807	VKRBMEL063E0E	VKRBMEL063F0E

# DIMENSIONS

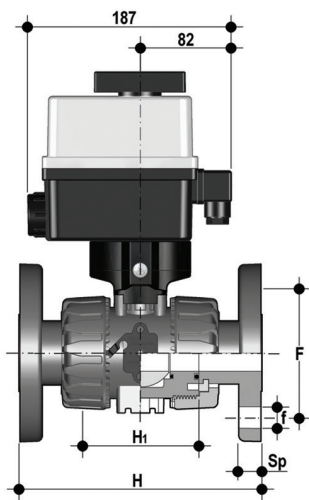
## VKR/CE DN 10÷50 PP-H



### VKROM/CE 90-240 V AC 4-20 mA

DUAL BLOCK® regulating ball valve with fixed flanges, drilled EN/ISO/DIN PN10/16. Face to face according to EN 558-1. Multi-volt electric actuator 90-240 V AC 50-60 Hz

d	DN	PN	H	H <sub>1</sub>	F	f	U	Sp	g	EPDM Code	FKM Code
20	15	10	130	65	65	14	4	11	1715	VKROMEM020E0E	VKROMEM020F0E
25	20	10	150	70	75	14	4	14	1791	VKROMEM025E0E	VKROMEM025F0E
32	25	10	160	78	85	14	4	14	1871	VKROMEM032E0E	VKROMEM032F0E
40	32	10	180	88	100	18	4	14	2156	VKROMEM040E0E	VKROMEM040F0E
50	40	10	200	93	110	18	4	16	2358	VKROMEM050E0E	VKROMEM050F0E
63	50	10	230	111	125	18	4	16	2807	VKROMEM063E0E	VKROMEM063F0E



### VKROM/CE 24 V AC/DC 4-20 mA

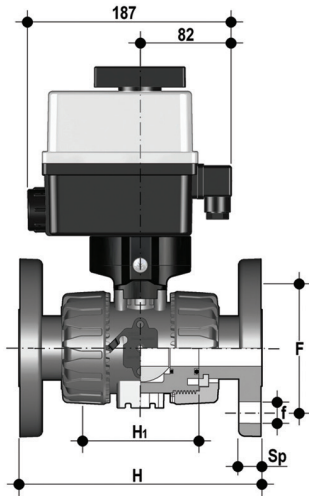
DUAL BLOCK® regulating ball valve with fixed flanges, drilled EN/ISO/DIN PN10/16. Face to face according to EN 558-1. 24 V AC/DC electric actuator

d	DN	PN	H	H <sub>1</sub>	F	f	U	Sp	g	EPDM Code	FKM Code
20	15	10	130	65	65	14	4	11	1715	VKROMEL020E0E	VKROMEL020F0E
25	20	10	150	70	75	14	4	14	1791	VKROMEL025E0E	VKROMEL025F0E
32	25	10	160	78	85	14	4	14	1871	VKROMEL032E0E	VKROMEL032F0E
40	32	10	180	88	100	18	4	14	2156	VKROMEL040E0E	VKROMEL040F0E
50	40	10	200	93	110	18	4	16	2358	VKROMEL050E0E	VKROMEL050F0E
63	50	10	230	111	125	18	4	16	2807	VKROMEL063E0E	VKROMEL063F0E



# DIMENSIONS

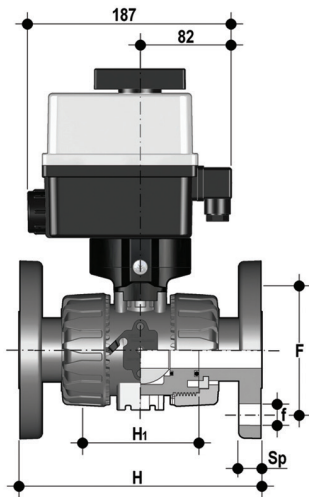
## VKR/CE DN 10÷50 PP-H



### VKROAM/CE 90-240 V AC 4-20 mA

DUAL BLOCK® regulating ball valve with fixed flanges, drilled ANSI B16.5 cl.150#FF with multi-volt electric modulating actuator 24 V AC/DC, 12 V DC

d	DN	PN	H	H <sub>1</sub>	F	f	U	Sp	g	EPDM Code	FKM Code
1/2"	15	10	143	65	60.3	15.9	4	11	1715	VKROAMEM012E0E	VKROAMEM012F0E
3/4"	20	10	172	70	69.9	15.9	4	14	1791	VKROAMEM034E0E	VKROAMEM034F0E
1"	25	10	187	78	79.4	15.9	4	14	1871	VKROAMEM100E0E	VKROAMEM100F0E
1" 1/4	32	10	190	88	88.9	15.9	4	14	2156	VKROAMEM114E0E	VKROAMEM114F0E
1" 1/2	40	10	212	93	98.4	15.9	4	16	2358	VKROAMEM112E0E	VKROAMEM112F0E
2"	50	10	234	111	120.7	19.1	4	16	2807	VKROAMEM200E0E	VKROAMEM200F0E



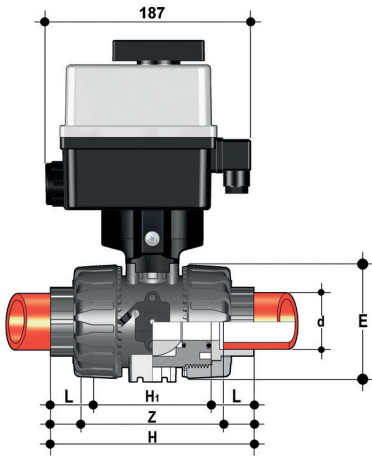
### VKROAM/CE 24 V AC/DC 4-20 mA

DUAL BLOCK® regulating ball valve with fixed flanges, drilled ANSI B16.5 cl.150#FF with electric modulating actuator 24 V AC/DC, 12 V DC

d	DN	PN	H	H <sub>1</sub>	F	f	U	Sp	g	EPDM Code	FKM Code
1/2"	15	10	143	65	60.3	15.9	4	11	1715	VKROAMEL012E0E	VKROAMEL012F0E
3/4"	20	10	172	70	69.9	15.9	4	14	1791	VKROAMEL034E0E	VKROAMEL034F0E
1"	25	10	187	78	79.4	15.9	4	14	1871	VKROAMEL100E0E	VKROAMEL100F0E
1" 1/4	32	10	190	88	88.9	15.9	4	14	2156	VKROAMEL114E0E	VKROAMEL114F0E
1" 1/2	40	10	212	93	98.4	15.9	4	16	2358	VKROAMEL112E0E	VKROAMEL112F0E
2"	50	10	234	111	120.7	19.1	4	16	2807	VKROAMEL200E0E	VKROAMEL200F0E

# DIMENSIONS

## VKR/CE DN 10÷50 PVDF

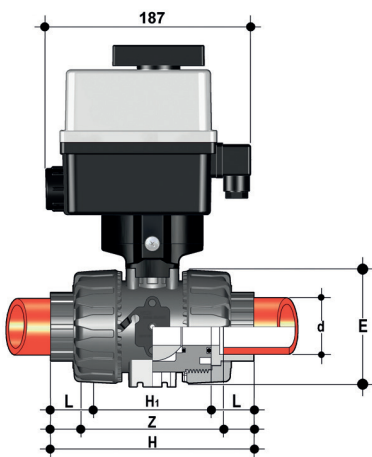


### VKRIF/CE 90-240 V AC 4-20 mA

DUAL BLOCK® regulating ball valve with female ends for socket welding, metric series with multi-volt electric modulating actuator 90-240 V AC 50-60 Hz

d	DN	PN	E	H	H <sub>1</sub>	L	Z	g	FKM Code
16	10	16	54	102	65	14	74.5	1830	VKRIFEM016FOE
20	15	16	54	102	65	15	73	1825	VKRIFEM020FOE
25	20	16	65	114	70	17	82	1963	VKRIFEM025FOE
32	25	16	73	126	78	19	90	2123	VKRIFEM032FOE
40	32	16	86	141	88	23	100	2491	VKRIFEM040FOE
50	40	16	98	164	93	24	117	2826	VKRIFEM050FOE
63	50	*10	122	199	111	28	144	3611	VKRIFEM063FOE

\* PN16 upon request



### VKRIF/CE 24 V AC/DC 4-20 mA

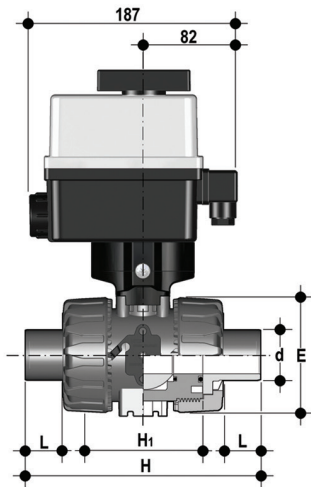
DUAL BLOCK® regulating ball valve with female ends for socket welding, metric series with electric modulating actuator 24 V AC/DC, 12 V DC

d	DN	PN	E	H	H <sub>1</sub>	L	Z	g	FKM Code
16	10	16	54	102	65	14	74.5	1830	VKRIFEL016FOE
20	15	16	54	102	65	15	73	1825	VKRIFEL020FOE
25	20	16	65	114	70	17	82	1963	VKRIFEL025FOE
32	25	16	73	126	78	19	90	2123	VKRIFEL032FOE
40	32	16	86	141	88	23	100	2491	VKRIFEL040FOE
50	40	16	98	164	93	24	117	2826	VKRIFEL050FOE
63	50	*10	122	199	111	28	144	3611	VKRIFEL063FOE

\* PN16 upon request

# DIMENSIONS

## VKR/CE DN 10÷50 PVDF

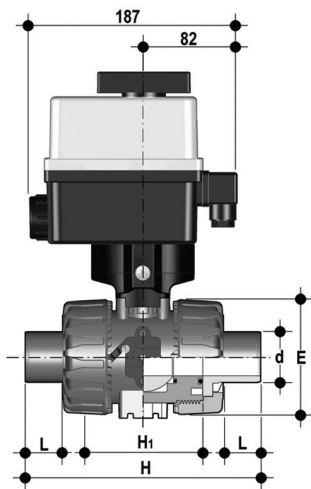


### VKRDF/CE 90-240 V AC 4-20 mA

DUAL BLOCK® regulating ball valve with male ends for socket welding, metric series with multi-volt electric modulating actuator 90-240 V AC 50-60 Hz

d	DN	PN	E	H	H <sub>i</sub>	L	g	FKM Code
20	15	16	54	124	65	16	1825	VKRDFEM020FOE
25	20	16	65	144	70	18	1963	VKRDFEM025FOE
32	25	16	73	154	78	20	2123	VKRDFEM032FOE
40	32	16	86	174	88	22	2491	VKRDFEM040FOE
50	40	16	98	194	93	23	2826	VKRDFEM050FOE
63	50	*10	122	224	111	29	3611	VKRDFEM063FOE

\* PN16 upon request



### VKRDF/CE 24 V AC/DC 4-20 mA

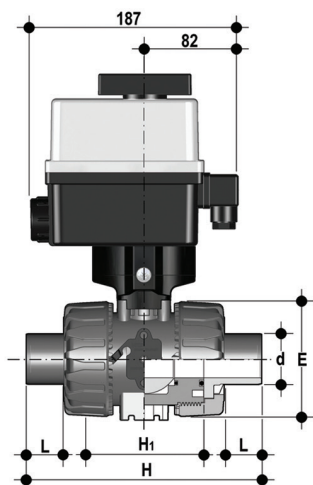
DUAL BLOCK® regulating ball valve with male ends for socket welding, metric series with electric modulating actuator 24 V AC/DC, 12 V DC

d	DN	PN	E	H	H <sub>i</sub>	L	g	FKM Code
20	15	16	54	124	65	16	1825	VKRDFELO20FOE
25	20	16	65	144	70	18	1963	VKRDFELO25FOE
32	25	16	73	154	78	20	2123	VKRDFELO32FOE
40	32	16	86	174	88	22	2491	VKRDFELO40FOE
50	40	16	98	194	93	23	2826	VKRDFELO50FOE
63	50	*10	122	224	111	29	3611	VKRDFELO63FOE

\* PN16 upon request

# DIMENSIONS

## VKR/CE DN 10÷50 PVDF

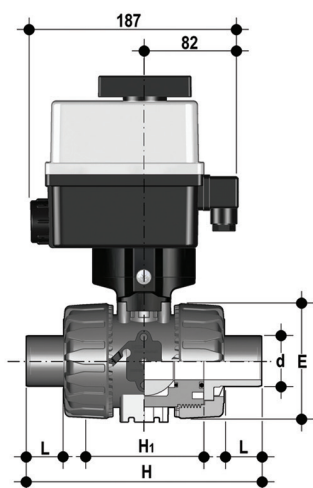


### VKRBF/CE 90-240 V AC 4-20 mA

DUAL BLOCK® regulating ball valve with long spigot male ends in PVDF for head welding/IR (CVDF) with multi-volt electric modulating actuator 90-240 V AC 50-60 Hz

d	DN	PN	E	H	H <sub>1</sub>	L	Z	g	FKM Code
20	15	16	54	171	65	41	89	1825	VKRBFEM020FOE
25	20	16	65	204	70	52	100	1963	VKRBFEM025FOE
32	25	16	73	220	78	55	110	2123	VKRBFEM032FOE
40	32	16	86	238	88	56	126	2491	VKRBFEM040FOE
50	40	16	98	254	93	58	138	2826	VKRBFEM050FOE
63	50	*10	122	286	111	66	154	3611	VKRBFEM063FOE

\* PN16 upon request



### VKRBF/CE 24 V AC/DC 4-20 mA

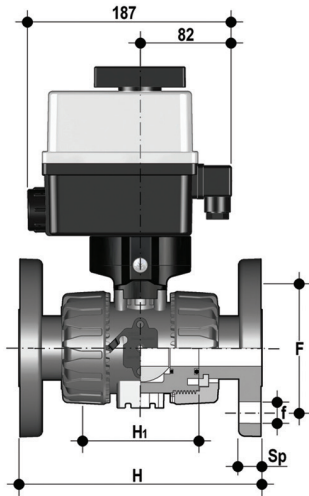
DUAL BLOCK® regulating ball valve with long spigot male ends in PVDF for head welding/IR (CVDF) with multi-volt electric modulating actuator 24 V AC/DC, 12 V DC

d	DN	PN	E	H	H <sub>1</sub>	L	Z	g	FKM Code
20	15	16	54	171	65	41	89	1825	VKRBFEL020FOE
25	20	16	65	204	70	52	100	1963	VKRBFEL025FOE
32	25	16	73	220	78	55	110	2123	VKRBFEL032FOE
40	32	16	86	238	88	56	126	2491	VKRBFEL040FOE
50	40	16	98	254	93	58	138	2826	VKRBFEL050FOE
63	50	*10	122	286	111	66	154	3611	VKRBFEL063FOE

\* PN16 upon request

# DIMENSIONS

## VKR/CE DN 10÷50 PVDF

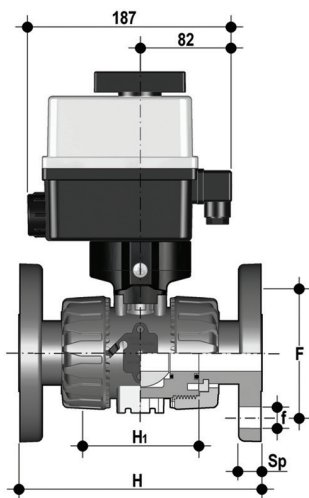


### VKROF/CE 90-240 V AC 4-20 mA

DUAL BLOCK® regulating ball valve with fixed flanges, drilled EN/ISO/DIN PN10/16. Face to face according to EN 558-1. Multi-volt electric modulating actuator 90-240 V AC 50-60 Hz

d	DN	PN	H	H <sub>1</sub>	F	f	U	Sp	g	FKM Code
20	15	16	130	65	65	14	4	11	1825	VKROFEM020FOE
25	20	16	150	70	75	14	4	14	1963	VKROFEM025FOE
32	25	16	160	78	85	14	4	14	2123	VKROFEM032FOE
40	32	16	180	88	100	18	4	14	2491	VKROFEM040FOE
50	40	16	200	93	110	18	4	16	2826	VKROFEM050FOE
63	50	*10	230	111	125	18	4	16	3611	VKROFEM063FOE

\* PN16 upon request



### VKROF/CE 24 V AC/DC 4-20 mA

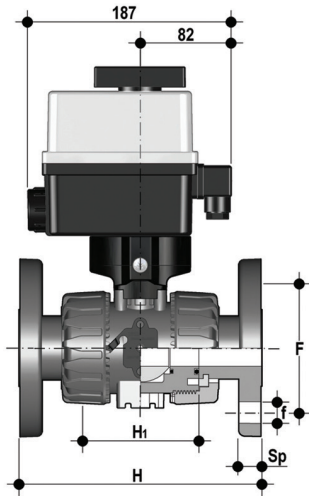
DUAL BLOCK® regulating ball valve with fixed flanges, drilled EN/ISO/DIN PN10/16. Face to face according to EN 558-1. 24 V AC/DC electric modulating actuator

d	DN	PN	H	H <sub>1</sub>	F	f	U	Sp	g	FKM Code
20	15	16	130	65	65	14	4	11	1825	VKROFEL020FOE
25	20	16	150	70	75	14	4	14	1963	VKROFEL025FOE
32	25	16	160	78	85	14	4	14	2123	VKROFEL032FOE
40	32	16	180	88	100	18	4	14	2491	VKROFEL040FOE
50	40	16	200	93	110	18	4	16	2826	VKROFEL050FOE
63	50	*10	230	111	125	18	4	16	3611	VKROFEL063FOE

\* PN16 upon request

# DIMENSIONS

## VKR/CE DN 10÷50 PVDF

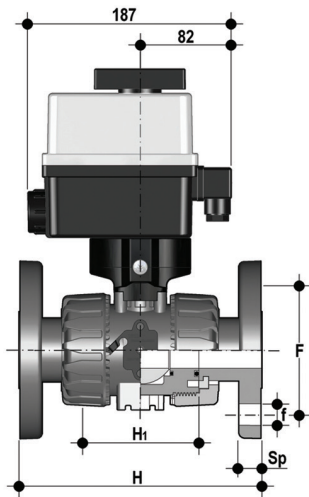


### VKROAF/CE 90-240 V AC 4-20 mA

DUAL BLOCK® regulating ball valve with fixed flanges, drilled ANSI B16.5 cl.150#FF with multi-volt electric modulating actuator 24 V AC/DC, 12 V DC

d	DN	PN	H	H <sub>1</sub>	F	f	U	Sp	g	FKM Code
1/2"	15	16	143	65	60.3	15.9	4	11	1825	VKROAFEM012FOE
3/4"	20	16	172	70	69.9	15.9	4	14	1963	VKROAFEM034FOE
1"	25	16	187	78	79.4	15.9	4	14	2123	VKROAFEM100FOE
1" 1/4	32	16	190	88	88.9	15.9	4	14	2491	VKROAFEM114FOE
1" 1/2	40	16	212	93	98.4	15.9	4	16	2826	VKROAFEM112FOE
2"	50	*10	234	111	120.7	19.1	4	16	3611	VKROAFEM200FOE

\* PN16 upon request



### VKROAF/CE 24 V AC/DC 4-20 mA

DUAL BLOCK® regulating ball valve with fixed flanges, drilled ANSI B16.5 cl.150#FF with electric modulating actuator 24 V AC/DC, 12 V DC

d	DN	PN	H	H <sub>1</sub>	F	f	U	Sp	g	FKM Code
1/2"	15	16	143	65	60.3	15.9	4	11	1825	VKROAFEL012FOE
3/4"	20	16	172	70	69.9	15.9	4	14	1963	VKROAFEL034FOE
1"	25	16	187	78	79.4	15.9	4	14	2123	VKROAFEL100FOE
1" 1/4	32	16	190	88	88.9	15.9	4	14	2491	VKROAFEL114FOE
1" 1/2	40	16	212	93	98.4	15.9	4	16	2826	VKROAFEL112FOE
2"	50	*10	234	111	120.7	19.1	4	16	3611	VKROAFEL200FOE

\* PN16 upon request