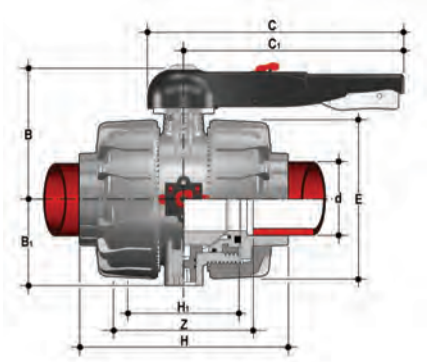


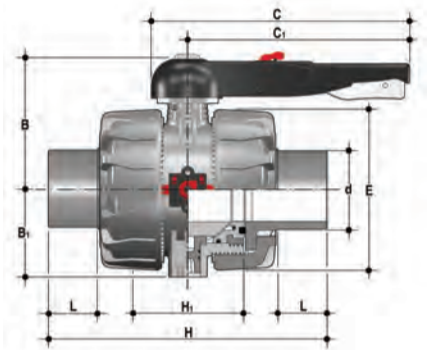
DIMENSIONS



VKDIF

DUAL BLOCK® 2-way ball valve with female ends for socket welding, metric series

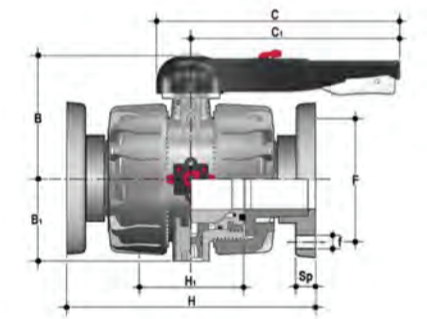
d	DN	PN	B	B ₁	C	C ₁	E	H	H ₁	Z	g	FKM code
75	65	16	164	87	225	175	162	213	133	153	4380	VKDIF075F
90	80	16	177	105	327	272	202	239	149	173	7200	VKDIF090F
110	100	16	195	129	385	330	236	268	167	199	11141	VKDIF110F



VKDDF

DUAL BLOCK® 2-way ball valve with male ends for socket welding, metric series

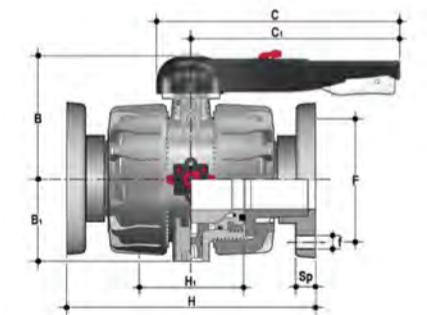
d	DN	PN	B	B ₁	C	C ₁	E	H	H ₁	L	g	FKM code
75	65	16	164	87	225	175	162	284	133	44	4420	VKDDF075F
90	80	16	177	105	327	272	202	300	149	51	6930	VKDDF090F
110	100	16	195	129	385	330	236	340	167	61	10950	VKDDF110F



VKDOF

DUAL BLOCK® 2-way ball valve with fixed flanges, drilled EN/ISO/DIN PN10/16. Face to face according to EN 558-1

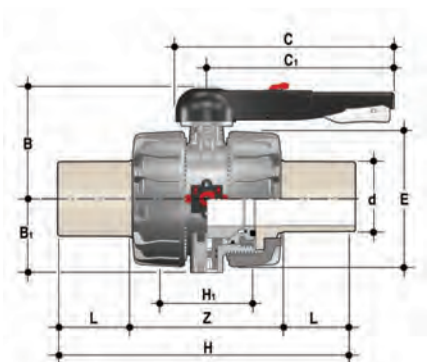
d	DN	PN	B	B ₁	C	C ₁	F	f	H	H ₁	Sp	U	g	FKM code
75	65	16	164	87	225	175	145	17	290	133	21	4	8588	VKDOF075F
90	80	16	177	105	327	272	160	17	310	149	21,5	8	12122	VKDOF090F
110	100	16	195	129	385	330	180	17	350	167	21,5	8	17949	VKDOF110F



VKDOAF

DUAL BLOCK® ball valve with ANSI B16.5 cl.150#FF fixed flanges.

d	DN	PN	B	B ₁	C	C ₁	F	f	H	H ₁	Sp	U	g	FKM code
2" 1/2	65	16	164	87	225	175	145	17	290	133	21	4	8588	VKDOF075F
3"	80	16	177	105	327	272	160	17	310	149	21,5	8	12122	VKDOF090F
4"	100	16	195	129	385	330	180	17	350	167	21,5	8	17949	VKDOF110F



VKDBF

DUAL BLOCK® 2-way ball valve with long spigot male ends in PVDF SDR 21 for butt welding/IR (CVDF)

d	DN	PN	B	B ₁	C	C ₁	E	H	H ₁	L	Z	g	FKM code
75	65	16	164	87	225	175	162	284	133	71	142	4700	VKDBF075F
90	80	16	177	105	327	272	202	300	149	88	124	7150	VKDBF090F
110	100	16	195	129	385	330	236	340	167	92	156	11300	VKDBF110F