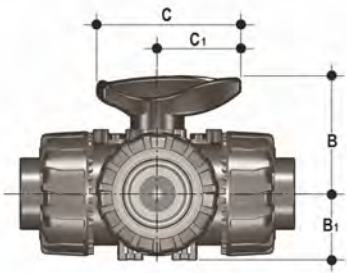
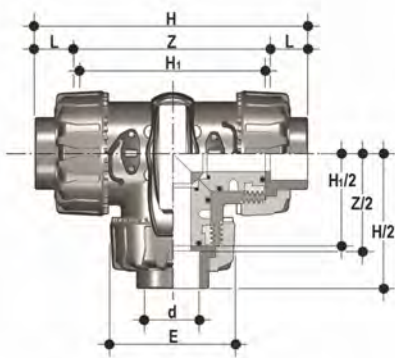


DIMENSIONS



Dimensions shared by all versions

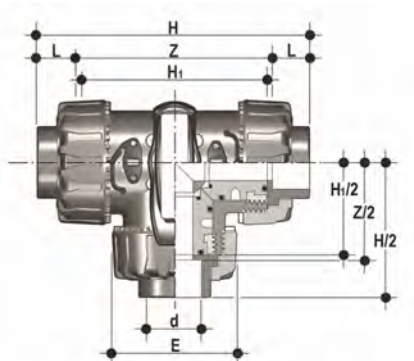
d	DN	B	B ₁	C	C ₁
16	10	54	29	67	40
20	15	54	29	67	40
25	20	65	34,5	85	49
32	25	69,5	39	85	49
40	32	82,5	46	108	64
50	40	89	52	108	64
63	50	108	62	134	76



TKDIC

DUAL BLOCK® 3-way ball valve with metric plain socket ends for solvent welding, T bore

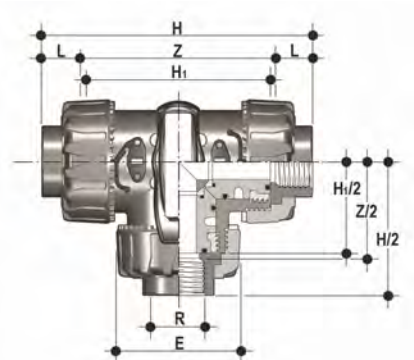
d	DN	PN	E	H	H ₁	L	Z	g	EPDM code	FKM code
16	10	16	54	118	80	14	90	310	TKDICO16E	TKDICO16F
20	15	16	54	118	80	16	86	310	TKDICO20E	TKDICO20F
25	20	16	65	145	100	19	107	550	TKDICO25E	TKDICO25F
32	25	16	73	160	110	22	116	790	TKDICO32E	TKDICO32F
40	32	16	86	188.5	131	26	136.5	1275	TKDICO40E	TKDICO40F
50	40	16	98	219	148	31	157	1660	TKDICO50E	TKDICO50F
63	50	16	122	266.5	179	38	190.5	2800	TKDICO63E	TKDICO63F



LKDIC

DUAL BLOCK® 3-way ball valve with metric plain socket ends for solvent welding, L bore.

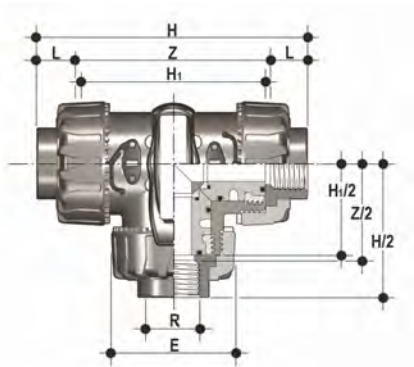
d	DN	PN	E	H	H ₁	L	Z	g	EPDM code	FKM code
16	10	16	54	118	80	14	90	310	LKDIC016E	LKDIC016F
20	15	16	54	118	80	16	86	310	LKDIC020E	LKDIC020F
25	20	16	65	145	100	19	107	550	LKDIC025E	LKDIC025F
32	25	16	73	160	110	22	116	790	LKDIC032E	LKDIC032F
40	32	16	86	188.5	131	26	136.5	1275	LKDIC040E	LKDIC040F
50	40	16	98	219	148	31	157	1660	LKDIC050E	LKDIC050F
63	50	16	122	266.5	179	38	190.5	2800	LKDIC063E	LKDIC063F



TKDFC

Dual Block® 3-way ball valve with BSP threaded female ends, T-port ball.

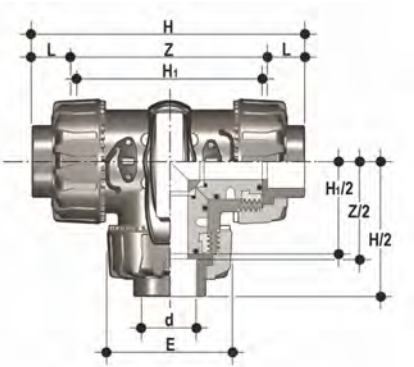
R	DN	PN	E	H	H ₁	L	Z	g	EPDM code	FKM code
1/2"	15	16	54	126	80	18	90,4	310	TKDFC012E	TKDFC012F
3/4"	20	16	65	146,4	100	18	110,4	550	TKDFC034E	TKDFC034F
1"	25	16	73	166,6	110	22,6	121,4	790	TKDFC100E	TKDFC100F
1" 1/4	32	16	86	195,8	131	25,1	145,6	1275	TKDFC114E	TKDFC114F
1" 1/2	40	16	98	211,4	148	24,7	162	1660	TKDFC112E	TKDFC112F
2"	50	16	122	253,8	179	29,6	194,6	2800	TKDFC200E	TKDFC200F



LKDFC

Dual Block® 3-way ball valve with BSP threaded female ends, L-port ball.

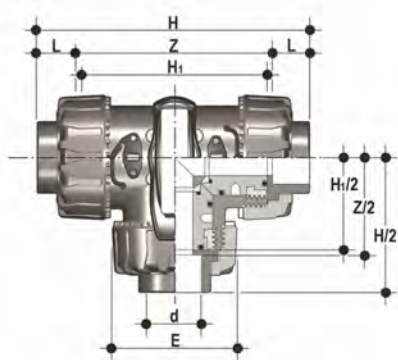
R	DN	PN	E	H	H ₁	L	Z	g	EPDM code	FKM code
1/2"	15	16	54	126	80	18	90,4	310	LKDFC012E	LKDFC012F
3/4"	20	16	65	146,4	100	18	110,4	550	LKDFC034E	LKDFC034F
1"	25	16	73	166,6	110	22,6	121,4	790	LKDFC100E	LKDFC100F
1" 1/4	32	16	86	195,8	131	25,1	145,6	1275	LKDFC114E	LKDFC114F
1" 1/2	40	16	98	211,4	148	24,7	162	1660	LKDFC112E	LKDFC112F
2"	50	16	122	253,8	179	29,6	194,6	2800	LKDFC200E	LKDFC200F



TKDAC

DUAL BLOCK® 3-way ball valve with female ends for solvent welding, ASTM series, T-port ball.

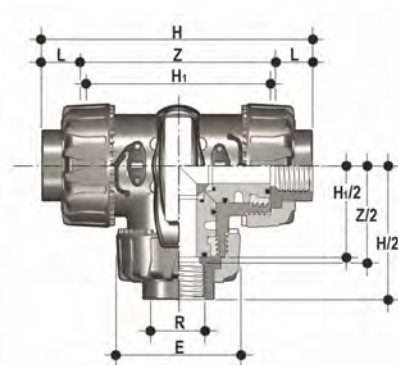
d	DN	PN	E	H	H ₁	L	Z	g	EPDM code	FKM code
1/2"	15	16	54	132,2	80	23	87,2	310	TKDAC012E	TKDAC012F
3/4"	20	16	65	159,2	100	25,5	108,2	550	TKDAC034E	TKDAC034F
1"	25	16	73	174	110	28,7	116,6	790	TKDAC100E	TKDAC100F
1" 1/4	32	16	86	205	131	32	141	1275	TKDAC114E	TKDAC114F
1" 1/2	40	16	98	227,6	148	35	157,6	1660	TKDAC112E	TKDAC112F
2"	50	16	122	267	179	38,2	190,6	2800	TKDAC200E	TKDAC200F



LKDAC

DUAL BLOCK® 3-way ball valve with female ends for solvent welding, ASTM series, L-port ball.

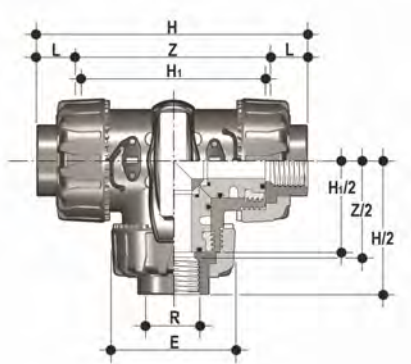
d	DN	PN	E	H	H ₁	L	Z	g	EPDM code	FKM code
1/2"	15	16	54	132,2	80	23	87,2	310	LKDAC012E	LKDAC012F
3/4"	20	16	65	159,2	100	25,5	108,2	550	LKDAC034E	LKDAC034F
1"	25	16	73	174	110	28,7	116,6	790	LKDAC100E	LKDAC100F
1" 1/4	32	16	86	205	131	32	141	1275	LKDAC114E	LKDAC114F
1" 1/2	40	16	98	227,6	148	35	157,6	1660	LKDAC112E	LKDAC112F
2"	50	16	122	267	179	38,2	190,6	2800	LKDAC200E	LKDAC200F



TKDNC

DUAL BLOCK® 3-way ball valve with female ends, NPT thread, T-port ball.

R	DN	PN	E	H	H ₁	L	Z	g	EPDM code	FKM code
1/2"	15	16	54	126	80	18	90,4	310	TKDNC012E	TKDNC012F
3/4"	20	16	65	146,4	100	18	110,4	550	TKDNC034E	TKDNC034F
1"	25	16	73	166,6	110	22,6	121,4	790	TKDNC100E	TKDNC100F
1" 1/4	32	16	86	195,8	131	25,1	145,6	1275	TKDNC114E	TKDNC114F
1" 1/2	40	16	98	211,4	148	24,7	162	1660	TKDNC112E	TKDNC112F
2"	50	16	122	253,8	179	29,6	194,6	2800	TKDNC200E	TKDNC200F

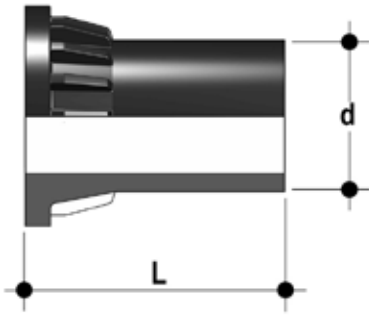


LKDNC

DUAL BLOCK® 3-way ball valve with female ends, NPT thread, L-port ball.

R	DN	PN	E	H	H ₁	L	Z	g	EPDM code	FKM code
1/2"	15	16	54	126	80	18	90.4	310	LKDNC012E	LKDNC012F
3/4"	20	16	65	146.4	100	18	110.4	550	LKDNC034E	LKDNC034F
1"	25	16	73	166.6	110	22.6	121.4	790	LKDNC100E	LKDNC100F
1" 1/4	32	16	86	195.8	131	25.1	145.6	1275	LKDNC114E	LKDNC114F
1" 1/2	40	16	98	211.4	148	24.7	162	1660	LKDNC112E	LKDNC112F
2"	50	16	122	253.8	179	29.6	194.6	2800	LKDNC200E	LKDNC200F

ACCESSORIES



CVDE

Long spigot PE100 end connectors for joints with electrofusion fittings or for butt welding

d	DN	PN	L	SDR	Code
20	15	16	55	11	CVDE11020
25	20	16	70	11	CVDE11025
32	25	16	74	11	CVDE11032
40	32	16	78	11	CVDE11040
50	40	16	84	11	CVDE11050
63	50	16	91	11	CVDE11063



SHKD

Handle block kit 0° - 90° lockable

d	DN	Code
16 - 20	10 - 15	SHKD020
25 - 32	20 - 25	SHKD032
40 - 50	32 - 40	SHKD050
63	50	SHKD063



LTKD

The LTKD stroke limiter specifically permits handle and ball rotation only at set opening and closing angles. The LTKD090 version permits operations for 90° angles while the LTKD180 version for 180° angles. The LTKD stroke limiter is made up of a single removable plate made of technopolymer. Designed for ISO 5211 bore and specifically designed to be directly housed on the valve body mounting flange. It is secured to the valve body by self-tapping screws or plastic rivets.

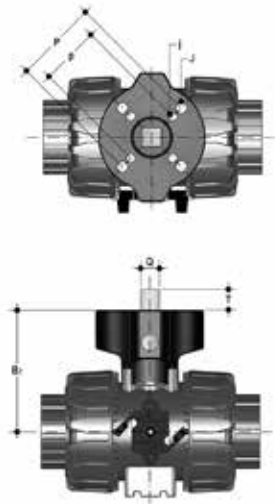
d	DN	90° code	180° code
16 - 20	10 - 15	LTKD090020	LTKD180020
25 - 32	20 - 25	LTKD090032	LTKD180032
40 - 50	32 - 40	LTKD090050	LTKD180050
63	50	LTKD090063	LTKD180063



PSKD

Stem extension

d	DN	A	A ₁	A ₂	E	B	B ₁	B _{min}	Code
16	10	32	25	32	54	70	29	139,5	PSKD020
20	15	32	25	32	54	70	29	139,5	PSKD020
25	20	32	25	40	65	89	34,5	164,5	PSKD025
32	25	32	25	40	73	93,5	39	169	PSKD032
40	32	40	32	50	86	110	46	200	PSKD040
50	40	40	32	50	98	116	52	206	PSKD050
63	50	40	32	59	122	122	62	225	PSKD063

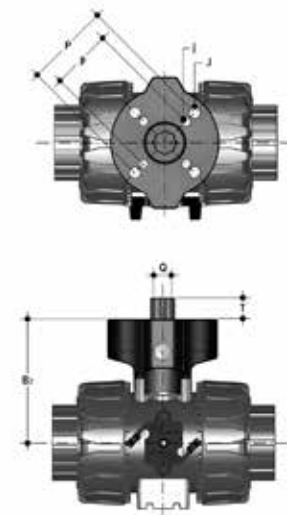


Power Quick/CP

The valve can be equipped with pneumatic actuators, using the PP-GR module reproducing the drilling pattern foreseen by ISO 5211

d	DN	B ₂	Q	T	p x j	P x J	Code
16	10	58	11	12	F03 x 5,5	F04 x 5,5	PQCP020
20	15	58	11	12	F03 x 5,5	F04 x 5,5	PQCP020
25	20	69	11	12	*F03 x 5,5	F05 x 6,5	PQCP025
32	25	74	11	12	*F03 x 5,5	F05 x 6,5	PQCP032
40	32	91	14	16	F05 x 6,5	F07 x 8,5	PQCP040
50	40	97	14	16	F05 x 6,5	F07 x 8,5	PQCP050
63	50	114	14	16	F05 x 6,5	F07 x 8,5	PQCP063

*F04 x 5.5 on request

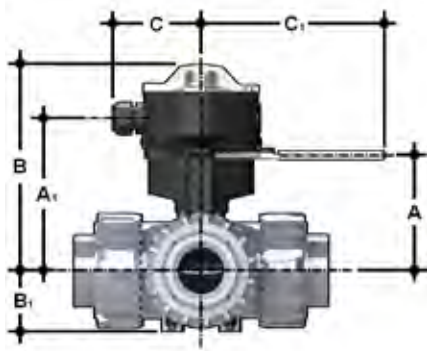


Power Quick/CE

The valve can be equipped with electric actuators, using the PP-GR module reproducing the drilling pattern foreseen by ISO 5211

d	DN	B ₂	Q	T	p x j	P x J	Code
16	10	58	14	16	F03 x 5,5	F04 x 5,5	PQCE020
20	15	58	14	16	F03 x 5,5	F04 x 5,5	PQCE020
25	20	69	14	16	*F03 x 5,5	F05 x 6,5	PQCE025
32	25	74	14	16	*F03 x 5,5	F05 x 6,5	PQCE032
40	32	91	14	16	F05 x 6,5	F07 x 8,5	PQCE040
50	40	97	14	16	F05 x 6,5	F07 x 8,5	PQCE050
63	50	114	14	16	F05 x 6,5	F07 x 8,5	PQCE063

*F04 x 5.5 on request



LS Quick Kit

The Limit Switch Quick Kit allows the fast and secure installation of the FIP LSQT to the TKD valves. The body is in PP-GR and the handle is in stainless steel AISI 316. The handle block at 0° and 90° is also available by default (hole diameter 6.5 mm). The kit can be assembled on the valve even if already installed on the system. For technical data of the LSQT box see FIP actuated valves catalogue.

d	DN	A	A ₁	B	B ₁	C	C ₁	Code
16	10	60	91,5	137	29	76,5	157,5	LSQKIT20
20	15	60	91,5	137	29	76,5	157,5	LSQKIT20
25	20	71	102,5	148	34,5	76,5	157,5	LSQKIT25
32	25	76	107,5	153	39	76,5	157,5	LSQKIT32
40	32	93	124,5	170	46	76,5	157,5	LSQKIT40
50	40	99	130,5	176	52	76,5	157,5	LSQKIT50
63	50	116	147,5	193	62	76,5	157,5	LSQKIT63