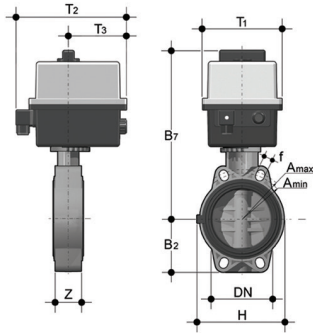


DIMENSIONS

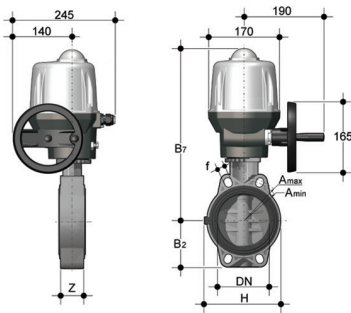
FE/CE DN 40÷200 PVC-U



FEOV/CE 90-240V AC DN 40-100

Butterfly valve with multi-volt electric actuator 90-240 V AC 50-60 Hz

d	DN	PN	B ₂	H	Z	A _{min}	A _{max}	f	U	B ₇	T ₁	T ₂	T ₃	g	EPDM Code	FKM Code
50-1 1/2	40	16	60	132	33	93.5	109	19	4	253	92	187	91	2074	FEOVEM050E	FEOVEM050F
63-2"	50	16	70	147	43	108	124	19	4	259	92	187	91	2254	FEOVEM063E	FEOVEM063F
75-2 1/2	65	10	80	165	46	128	144	19	4	266	92	187	91	2480	FEOVEM075E	FEOVEM075F
90-3"	80	10	90	130	49	145	159	19	4	308	128	202	95.5	4000	FEOVEM090E	FEOVEM090F
110-4"	100	10	105	150	56	165	190	19	4	322	128	202	95.5	4350	FEOVEM110E	FEOVEM110F

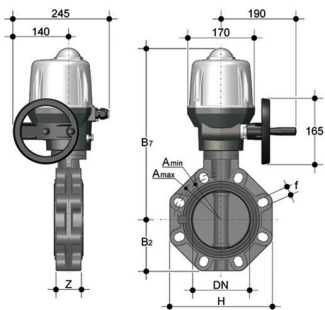


FEOV/CE 90-240V AC DN 125-150

Butterfly valve with multi-volt electric actuator 90-240 V AC 50-60 Hz

d	DN	PN	B ₂	H	Z	A _{min}	A _{max}	f	U	B ₇	g	EPDM Code	FKM Code
*125/140-5"	125	10	121	185	64	204	215	23	4	425	8100	FEOVEM140E	FEOVEM140F
160-6"	150	10	132	210	70	230	242	23	4	438	8800	FEOVEM160E	FEOVEM160F

*FEOV d140 with special adapter collars d125



FEOV/CE 90-240V AC DN 200

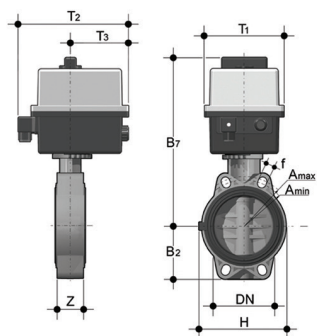
Butterfly valve with multi-volt electric actuator 90-240 V AC 50-60 Hz

d	DN	PN	B ₂	H	Z	A _{min}	A _{max}	f	U	B ₇	g	EPDM Code	FKM Code
**200/225-8"	200	10	161	325	71	280	298	23	8	485	11560	FEOVEM225E	FEOVEM225F

**FEOV d225 with special adapter collars d200

DIMENSIONS

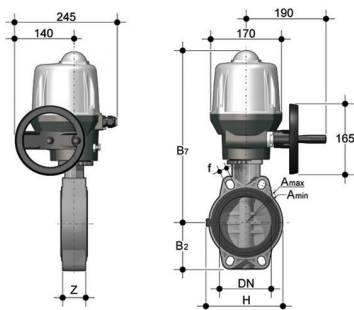
FE/CE DN 40÷200 PVC-U



FE/CE 24V AC/DC DN 40-100

Butterfly valve with electric actuator 24 V AC/DC

d	DN	PN	B ₇	H	Z	A _{min}	A _{max}	f	U	B ₇	T ₁	T ₂	T ₃	g	EPDM Code	FKM Code
50-1 1/2	40	16	60	132	33	93.5	109	19	4	253	92	187	91	2074	FEOVEL050E	FEOVEL050F
63-2"	50	16	70	147	43	108	124	19	4	259	92	187	91	2254	FEOVEL063E	FEOVEL063F
75-2 1/2	65	10	80	165	46	128	144	19	4	266	92	187	91	2480	FEOVEL075E	FEOVEL075F
90-3"	80	10	90	130	49	145	159	19	4	308	128	202	95.5	4000	FEOVEL090E	FEOVEL090F
110-4"	100	10	105	150	56	165	190	19	4	322	128	202	95.5	4350	FEOVEL110E	FEOVEL110F

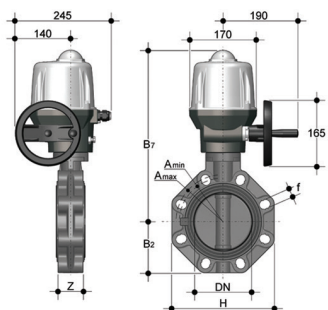


FE/CE 24V AC/DC DN 125-150

Butterfly valve with electric actuator 24 V AC/DC

d	DN	PN	B ₇	H	Z	A _{min}	A _{max}	f	U	B ₇	g	EPDM Code	FKM Code
*125/140-5"	125	10	121	185	64	204	215	23	4	425	8100	FEOVEL140E	FEOVEL140F
160-6"	150	10	132	210	70	230	242	23	4	438	8800	FEOVEL160E	FEOVEL160F

*FEOV d140 with special adapter collars d125



FE/CE 24V AC/DC DN 200

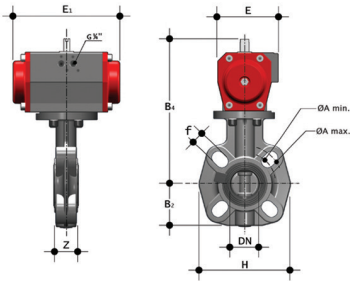
Butterfly valve with electric actuator 24 V AC/DC

d	DN	PN	B ₇	H	Z	A _{min}	A _{max}	f	U	B ₇	g	EPDM Code	FKM Code
**200/225-8"	200	10	161	325	71	280	298	23	8	485	11560	FEOVEL225E	FEOVEL225F

**FEOV d225 with special adapter collars d200

DIMENSIONS

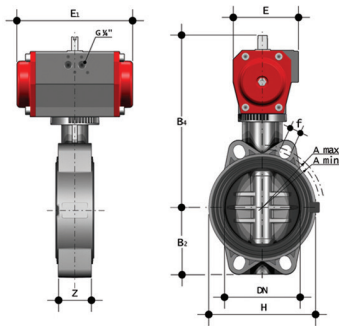
FE/CP DN 40÷200 PVC-U



FEOV/CP DA DN 40-65

Butterfly valve with pneumatic actuator, Double-Acting function

d	DN	PN	B ₂	H	Z	A _{min}	A _{max}	f	U	B ₄	E	E ₁	g	EPDM Code	FKM Code
50-1 1/2"	40	16	60	132	33	93.5	109	19	4	209	86	155	2170	FEOVDA050E	FEOVDA050F
63-2"	50	16	70	147	43	108	124	19	4	215	86	155	2350	FEOVDA063E	FEOVDA063F
75-2 1/2"	65	10	80	165	46	128	144	19	4	222	86	155	2580	FEOVDA075E	FEOVDA075F

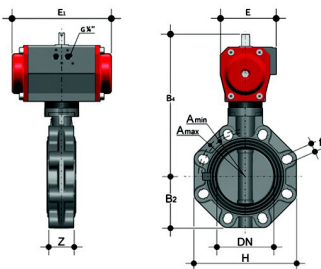


FEOV/CP DA DN 80-150

Butterfly valve with pneumatic actuator, Double-Acting function

d	DN	PN	B ₂	H	Z	A _{min}	A _{max}	f	U	B ₄	E	E ₁	g	EPDM Code	FKM Code
90-3"	80	10	90	130	49	145	159	19	4	253	94	210	4100	FEOVDA090E	FEOVDA090F
110-4"	100	10	105	150	56	165	190	19	4	277	104	228	5750	FEOVDA110E	FEOVDA110F
*125/140-5"	125	10	121	185	64	204	215	23	4	297	104	228	6700	FEOVDA140E	FEOVDA140F
160-6"	150	10	132	210	70	230	242	23	4	325	120	280	9000	FEOVDA160E	FEOVDA160F

*FEOV d140 with special adapter collars d125



FEOV/CP DA DN 200

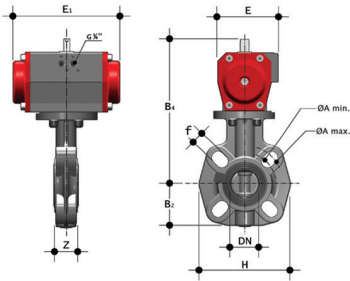
Butterfly valve with pneumatic actuator, Double-Acting function

d	DN	PN	B ₂	H	Z	A _{min}	A _{max}	f	U	B ₄	E	E ₁	g	EPDM Code	FKM Code
**200/225-8"	200	10	161	325	71	280	298	23	8	399	134	310	15150	FEOVDA225E	FEOVDA225F

* FEOV d225 with special adapter collars d200

DIMENSIONS

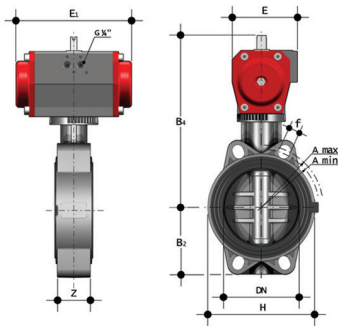
FE/CP DN 40÷200 PVC-U



FEOV/CP NC DN 40-65

Butterfly valve with pneumatic actuator, Normally Closed function

d	DN	PN	B ₂	H	Z	A _{min}	A _{max}	f	U	B ₄	E	E ₁	g	EPDM Code	FKM Code
50-1 1/2"	40	16	60	132	33	93.5	109	19	4	209	86	155	2370	FEOVNC050E	FEOVNC050F
63-2"	50	16	70	147	43	108	124	19	4	232	94	210	4120	FEOVNC063E	FEOVNC063F
75-2 1/2"	65	10	80	165	46	128	144	19	4	239	94	210	4380	FEOVNC075E	FEOVNC075F

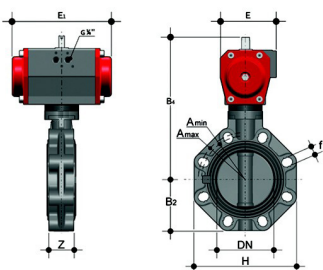


FEOV/CP NC DN 80-150

Butterfly valve with pneumatic actuator, Normally Closed function

d	DN	PN	B ₂	H	Z	A _{min}	A _{max}	f	U	B ₄	E	E ₁	g	EPDM Code	FKM Code
90-3"	80	10	90	130	49	145	159	19	4	263	104	228	6000	FEOVNC090E	FEOVNC090F
110-4"	100	10	105	150	56	165	190	19	4	292	120	280	8350	FEOVNC110E	FEOVNC110F
*125/140-5"	125	10	121	185	64	204	215	23	4	339	134	310	12800	FEOVNC140E	FEOVNC140F
160-6"	150	10	132	210	70	230	242	23	4	352	134	310	13500	FEOVNC160E	FEOVNC160F

*FEOV d140 with special adapter collars d125



FEOV/CP NC DN 200

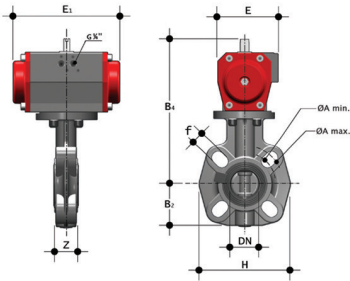
Butterfly valve with pneumatic actuator, Normally Closed function

d	DN	PN	B ₂	H	Z	A _{min}	A _{max}	f	U	B ₄	E	E ₁	g	EPDM Code	FKM Code
**200/225-8"	200	10	161	325	71	280	298	23	8	473	176	462	35250	FEOVNC225E	FEOVNC225F

* FEOV d225 with special adapter collars d200

DIMENSIONS

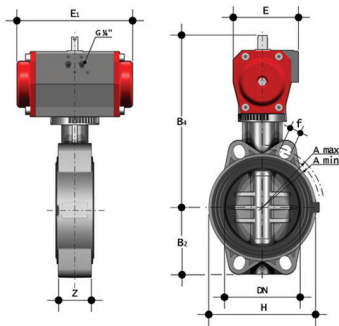
FE/CP DN 40÷200 PVC-U



FEOV/CP NO DN 40-65

Butterfly valve with pneumatic actuator, Normally Open function

d	DN	PN	B ₂	H	Z	A _{min}	A _{max}	f	U	B ₄	E	E ₁	g	EPDM Code	FKM Code
50-1 1/2	40	16	60	132	33	93.5	109	19	4	209	86	155	2370	FEOVNO050E	FEOVNO050F
63-2"	50	16	70	147	43	108	124	19	4	232	94	210	4120	FEOVNO063E	FEOVNO063F
75-2 1/2	65	10	80	165	46	128	144	19	4	239	94	210	4380	FEOVNO075E	FEOVNO075F

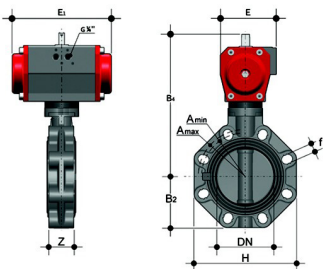


FEOV/CP NO DN 80-150

Butterfly valve with pneumatic actuator, Normally Open function

d	DN	PN	B ₂	H	Z	A _{min}	A _{max}	f	U	B ₄	E	E ₁	g	EPDM Code	FKM Code
90-3"	80	10	90	130	49	145	159	19	4	263	104	228	6000	FEOVNO090E	FEOVNO090F
110-4"	100	10	105	150	56	165	190	19	4	292	120	280	8350	FEOVNO110E	FEOVNO110F
*125/140-5"	125	10	121	185	64	204	215	23	4	339	134	310	12800	FEOVNO140E	FEOVNO140F
160-6"	150	10	132	210	70	230	242	23	4	352	134	310	13500	FEOVNO160E	FEOVNO160F

*FEOV d140 with special adapter collars d125



FEOV/CP NO DN 200

Butterfly valve with pneumatic actuator, Normally Open function

d	DN	PN	B ₂	H	Z	A _{min}	A _{max}	f	U	B ₄	E	E ₁	g	EPDM Code	FKM Code
**200/225-8"	200	10	161	325	71	280	298	23	8	473	176	462	35250	FEOVNO225E	FEOVNO225F

* FEOV d225 with special adapter collars d200