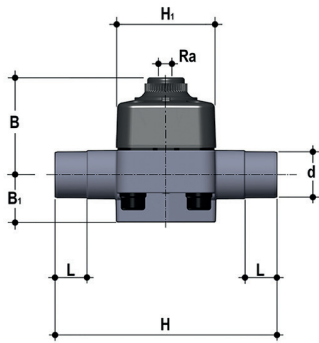


DIMENSIONS

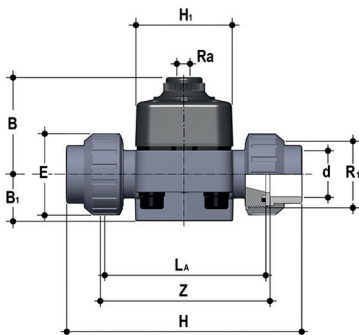
DKD/CP DN 15÷65 PVC-U



DKDDV/CP NO

Pneumatically actuated diaphragm valve, Normally Open, with male ends, metric series

d	DN	PN	B	B ₁	H	h	H ₁	L	R ₁	g	EPDM Code
20	15	8	58	25	124	12	65	16	1/4"	270	DKDDVNO020E
25	20	8	61	29.5	144	12	65	19	1/4"	292	DKDDVNO025E
32	25	8	70	33	154.5	12	70	22	1/4"	492	DKDDVNO032E
40	32	8	72	30	174.5	12	70	26	1/4"	536	DKDDVNO040E
50	40	8	87	35	195.5	16	99	31	1/4"	1100	DKDDVNO050E
63	50	8	109	46	225	16	114	38	1/4"	1924	DKDDVNO063E
75	65	8	109	46	284	16	114	44	1/4"	2045	DKDDVNO075E



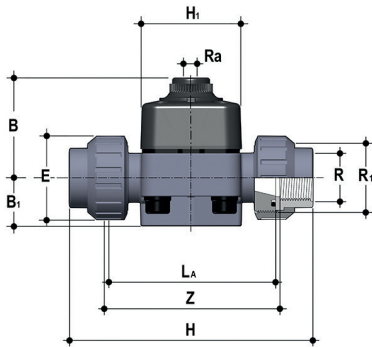
DKDUIV/CP NO

Pneumatically actuated diaphragm valve, Normally Open, with female union ends, metric series

d	DN	PN	B	B ₁	E	H	h	H ₁	L ₁	R ₁	R ₂	Z	g	EPDM Code
20	15	8	58	25	41	129	12	65	90	1"	1/4"	100	310	DKDUIVNO020E
25	20	8	61	29.5	50	154	12	65	108	1 1/4"	1/4"	116	372	DKDUIVNO025E
32	25	8	70	33	58	168	12	70	116	1 1/2"	1/4"	124	600	DKDUIVNO032E
40	32	8	72	30	72	192	12	70	134	2"	1/4"	140	726	DKDUIVNO040E
50	40	8	87	35	79	222	16	99	154	2 1/4"	1/4"	160	1312	DKDUIVNO050E
63	50	8	109	46	98	266	16	114	184	2 3/4"	1/4"	190	2320	DKDUIVNO063E

DIMENSIONS

DKD/CP DN 15÷65 PVC-U



DKDUFV/CP NO

Pneumatically actuated diaphragm valve, Normally Open, with BSP threaded female union ends,

R	DN	PN	B	B ₁	H	h	H ₁	L ₂	Z	E	R ₁	R ₂	g	EPDM Code
1/2"	15	8	58	25	131	12	65	90	97	41	1"	1/4"	310	DKDUFVNO012E
3/4"	20	8	61	29.5	151	12	65	108	118	50	1 1/4"	1/4"	372	DKDUFVNO034E
1"	25	8	70	33	165	12	70	116	127	58	1 1/2"	1/4"	600	DKDUFVNO100E
1 1/4"	32	8	72	30	188	12	70	134	145	72	2"	1/4"	726	DKDUFVNO114E
1 1/2"	40	8	87	35	208	16	99	154	165	79	2 1/4"	1/4"	1312	DKDUFVNO112E
2"	50	8	109	46	246	16	114	184	195	98	2 3/4"	1/4"	2320	DKDUFVNO200E