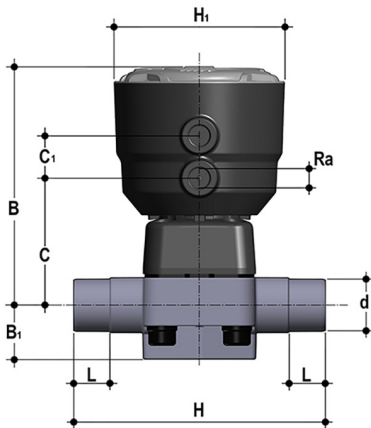


DIMENSIONS

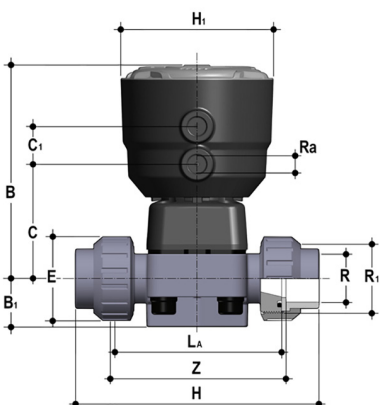
DKB/CP DN 15÷65 PVC-U



DKBDV/CP NC

Pneumatically actuated diaphragm valve with male ends, metric series Normally Closed function

d	DN	PN	B	B ₁	C	C ₁	H	H ₁	L	R ₀	g	EPDM Code
20	15	6	134	25	66	24	124	97	16	1/4"	645	DKBDVNC020E
25	20	6	137	30	69	24	144	97	19	1/4"	667	DKBDVNC025E
32	25	6	145	33	78	24	154	97	22	1/4"	867	DKBDVNC032E
40	32	6	149	30	82	24	174	97	26	1/4"	911	DKBDVNC040E
50	40	6	193	35	112	24	194	126	31	1/4"	2502	DKBDVNC050E
63	50	6	231	46	142	24	224	157	38	1/4"	5598	DKBDVNC063E
75	65	6	231	46	142	24	284	157	44	1/4"	5770	DKBDVNC075E



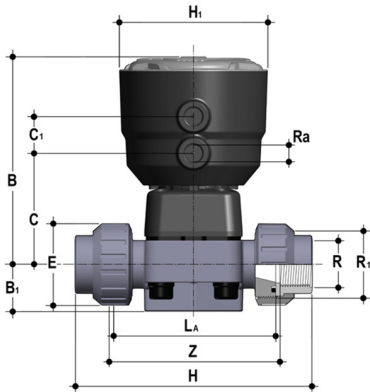
DKBUIV/CP NC

Pneumatically actuated diaphragm valve with female union ends, metric series. Normally Closed function

d	DN	PN	B	B ₁	C	C ₁	E	H	H ₁	L ₀	R ₁	R ₀	Z	g	EPDM Code
20	15	6	134	25	66	24	41	129	97	90	1"	1/4"	100	685	DKBUIVNC020E
25	20	6	137	30	69	24	50	154	97	108	1"1/4	1/4"	116	747	DKBUIVNC025E
32	25	6	145	33	78	24	58	168	97	116	1"1/2	1/4"	124	975	DKBUIVNC032E
40	32	6	149	30	82	24	72	192	97	134	2"	1/4"	140	1101	DKBUIVNC040E
50	40	6	193	35	112	24	79	222	126	154	2"1/4	1/4"	160	2722	DKBUIVNC050E
63	50	6	231	46	142	24	98	266	157	184	2"3/4	1/4"	190	5984	DKBUIVNC063E

DIMENSIONS

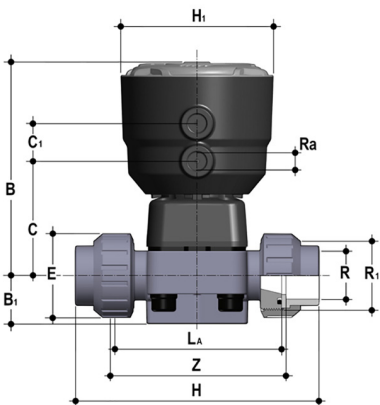
DKB/CP DN 15÷65 PVC-U



DKBUFV/CP NC

Pneumatically actuated diaphragm valve with BSP threaded female union ends. Normally Closed function

R	DN	PN	B	B ₁	C	C ₁	E	H	H ₁	L _o	R ₁	R _o	Z	g	EPDM Code
1/2"	15	6	134	25	66	24	41	131	97	90	1"	1/4"	97	685	DKBUFVNC012E
3/4"	20	6	137	30	69	24	50	151	97	108	1 1/4"	1/4"	118	747	DKBUFVNC034E
1"	25	6	145	33	78	24	58	165	97	116	1 1/2"	1/4"	127	975	DKBUFVNC100E
1 1/4"	32	6	149	30	82	24	72	188	97	134	2"	1/4"	145	1101	DKBUFVNC114E
1 1/2"	40	6	193	35	112	24	79	208	126	154	2 1/2"	1/4"	165	2722	DKBUFVNC112E
2"	50	6	231	46	142	24	98	246	157	184	2 3/4"	1/4"	195	5984	DKBUFVNC200E



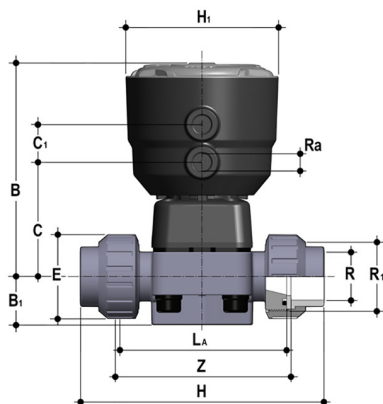
DKBUAV/CP NC

Pneumatically actuated diaphragm valve with female union ends for solvent welding, ASTM series Normally Closed function

R	DN	PN	B	B ₁	C	C ₁	E	H	H ₁	L _o	R ₁	R _o	Z	g	EPDM Code
1/2"	15	6	134	25	66	24	41	143	97	90	1"	1/4"	98	685	DKBUAVNC012E
3/4"	20	6	137	30	69	24	50	167	97	108	1 1/4"	1/4"	115	747	DKBUAVNC034E
1"	25	6	145	33	78	24	58	180	97	116	1 1/2"	1/4"	122	975	DKBUAVNC100E
1 1/4"	32	6	149	30	82	24	72	208	97	134	2"	1/4"	144	1101	DKBUAVNC114E
1 1/2"	40	6	193	35	112	24	79	234	126	154	2 1/2"	1/4"	164	2722	DKBUAVNC112E
2"	50	6	231	46	142	24	98	272	157	184	2 3/4"	1/4"	195	5984	DKBUAVNC200E

DIMENSIONS

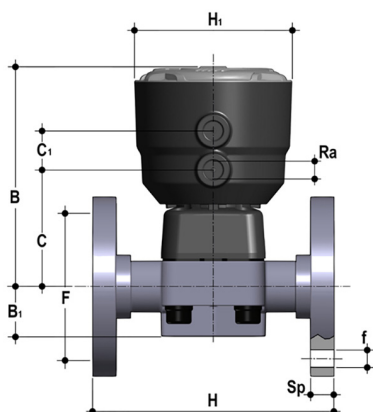
DKB/CP DN 15÷65 PVC-U



DKBULV/CP NC

Pneumatically actuated diaphragm valve with female union ends for solvent welding, BS series
Normally Closed function

d	DN	PN	B	B ₁	C	C ₁	E	H	H ₁	L ₂	R ₁	R ₂	Z	g	EPDM Code
1/2"	15	6	134	25	66	24	41	131	97	90	1"	1/4"	97	685	DKBULVNC012E
3/4"	20	6	137	30	69	24	50	154	97	108	1"1/4	1/4"	116	747	DKBULVNC034E
1"	25	6	145	33	78	24	58	166	97	116	1"1/2	1/4"	121	975	DKBULVNC100E
1"1/4	32	6	149	30	82	24	72	194	97	134	2"	1/4"	142	1101	DKBULVNC114E
1"1/2	40	6	193	35	112	24	79	222	126	154	2"1/4	1/4"	162	2722	DKBULVNC112E
2"	50	6	231	46	142	24	98	266	157	184	2"3/4	1/4"	194	5984	DKBULVNC200E



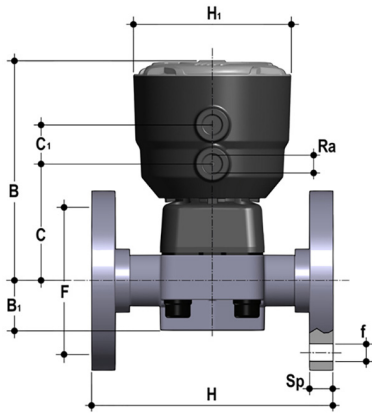
DKBOV/CP NC

Pneumatically actuated diaphragm valve with monolithic flanged body, drilled PN10/16. Face to face according to EN 558-1. Normally Closed function

d	DN	PN	B	B ₁	C	C ₁	F	f	H	H ₁	R ₂	U	Sp	g	EPDM Code
20	15	6	134	25	66	24	65	14	130	97	1/4"	4	13.5	875	DKBOVNC020E
25	20	6	137	30	69	24	75	14	150	97	1/4"	4	13.5	955	DKBOVNC025E
32	25	6	145	33	78	24	85	14	160	97	1/4"	4	13.5	1221	DKBOVNC032E
40	32	6	149	30	82	24	100	18	180	97	1/4"	4	14	1411	DKBOVNC040E
50	40	6	193	35	112	24	110	18	200	126	1/4"	4	16	3136	DKBOVNC050E
63	50	6	231	46	142	24	125	18	230	157	1/4"	4	16	6351	DKBOVNC063E
75	65	6	231	46	142	24	145	18	290	157	1/4"	4	21	6952	DKBOVNC075E

DIMENSIONS

DKB/CP DN 15÷65 PVC-U



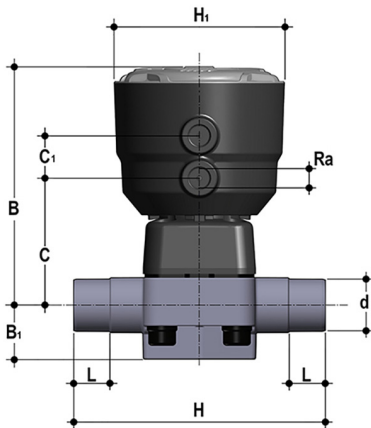
DKBOAV/CP NC

Pneumatically actuated diaphragm valve with monolithic flanged body, drilled ANSI B16.5 cl. 150 #FF. Normally Closed function

d	DN	PN	B	B ₁	C	C ₁	F	f	H	H ₁	R _a	U	Sp	g	EPDM Code
1/2"	15	6	134	25	66	24	60.30	14	108	97	1/4"	4	13.5	875	DKBOAVNC012E
3/4"	20	6	137	30	69	24	69.90	15.7	120	97	1/4"	4	13.5	955	DKBOAVNC034E
1"	25	6	145	33	78	24	79.40	15.7	131	97	1/4"	4	13.5	1221	DKBOAVNC100E
1" 1/4	32	6	149	30	82	24	88.90	15.7	162	97	1/4"	4	14	1411	DKBOAVNC114E
1" 1/2	40	6	193	35	112	24	98.40	15.7	180	126	1/4"	4	16	3136	DKBOAVNC112E
2"	50	6	231	46	142	24	120.70	19	210	157	1/4"	4	16	6351	DKBOAVNC200E
2" 1/2	65	6	231	46	142	24	139.70	19	250	157	1/4"	4	21	6952	DKBOAVNC212E

DIMENSIONS

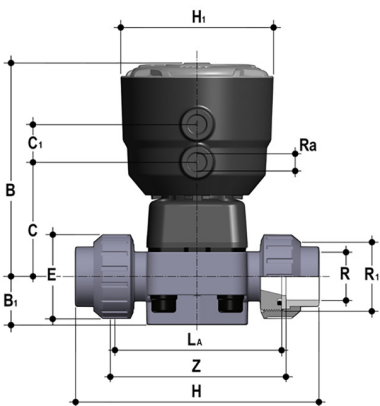
DKB/CP DN 15÷65 PVC-C



DKBDC/CP NC

Pneumatically actuated diaphragm valve with male ends for solvent welding, metric series.
Normally Closed function

d	DN	PN	B	B ₁	C	C ₁	H	H ₁	L	R ₀	g	EPDM Code
20	15	6	134	25	66	24	124	97	16	1/4"	651	DKBDCNC020E
25	20	6	137	30	69	24	144	97	19	1/4"	676	DKBDCNC025E
32	25	6	145	33	78	24	154	97	22	1/4"	881	DKBDCNC032E
40	32	6	149	30	82	24	174	97	26	1/4"	928	DKBDCNC040E
50	40	6	193	35	112	24	194	126	31	1/4"	2536	DKBDCNC050E
63	50	6	231	46	142	24	224	157	38	1/4"	5654	DKBDCNC063E
75	65	6	231	46	142	24	284	157	44	1/4"	5835	DKBDCNC075E



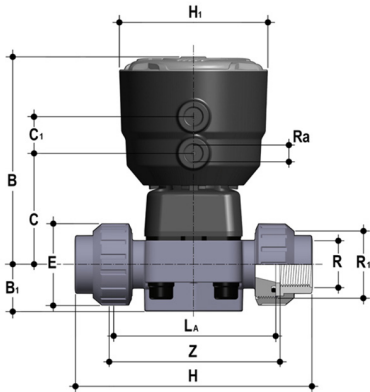
DKBUIC/CP NC

Pneumatically actuated diaphragm valve with female union ends for solvent welding, metric series Normally Closed function

d	DN	PN	B	B ₁	C	C ₁	E	H	H ₁	L ₀	R ₁	R ₀	Z	g	EPDM Code
20	15	6	134	25	66	24	41	129	97	90	1"	1/4"	100	694	DKBUICNC020E
25	20	6	137	30	69	24	50	154	97	108	1"1/4	1/4"	116	761	DKBUICNC025E
32	25	6	145	33	78	24	58	168	97	116	1"1/2	1/4"	124	997	DKBUICNC032E
40	32	6	149	30	82	24	72	192	97	134	2"	1/4"	140	1130	DKBUICNC040E
50	40	6	193	35	112	24	79	222	126	154	2"1/4	1/4"	160	2768	DKBUICNC050E
63	50	6	231	46	142	24	98	266	157	184	2"3/4	1/4"	190	6068	DKBUICNC063E

DIMENSIONS

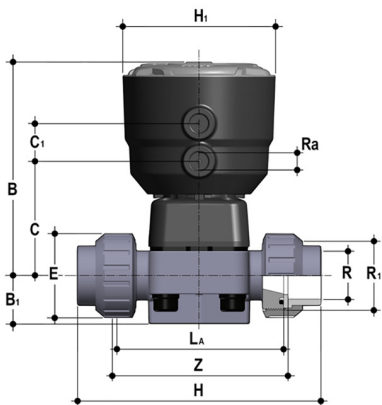
DKB/CP DN 15÷65 PVC-C



DKBUFC/CP NC

Pneumatically actuated diaphragm valve with BSP threaded female union ends. Normally Closed function

R	DN	PN	B	B ₁	C	C ₁	E	H	H ₁	L _o	R ₁	R _o	Z	g	EPDM Code
1/2"	15	6	134	25	66	24	41	131	97	90	1"	1/4"	97	694	DKBUFCNC012E
3/4"	20	6	137	30	69	24	50	151	97	108	1 1/4"	1/4"	118	761	DKBUFCNC034E
1"	25	6	145	33	78	24	58	165	97	116	1 1/2"	1/4"	127	997	DKBUFCNC100E
1 1/4"	32	6	149	30	82	24	72	188	97	134	2"	1/4"	145	1130	DKBUFCNC114E
1 1/2"	40	6	193	35	112	24	79	208	126	154	2 1/2"	1/4"	165	2768	DKBUFCNC112E
2"	50	6	231	46	142	24	98	246	157	184	2 3/4"	1/4"	195	6068	DKBUFCNC200E



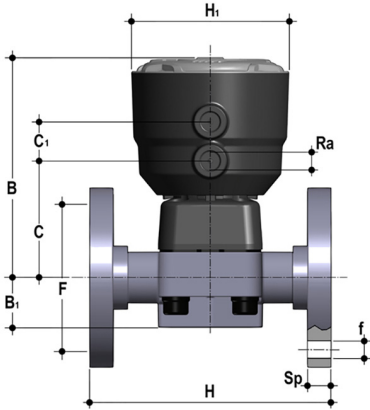
DKBUAC/CP NC

Pneumatically actuated diaphragm valve with female union ends for solvent welding, ASTM series Normally Closed function

R	DN	PN	B	B ₁	C	C ₁	E	H	H ₁	L _o	R ₁	R _o	Z	g	EPDM Code
1/2"	15	6	134	25	66	24	41	143	97	90	1"	1/4"	98	694	DKBUACNC012E
3/4"	20	6	137	30	69	24	50	167	97	108	1 1/4"	1/4"	115	761	DKBUACNC034E
1"	25	6	145	33	78	24	58	180	97	116	1 1/2"	1/4"	122	997	DKBUACNC100E
1 1/4"	32	6	149	30	82	24	72	208	97	134	2"	1/4"	144	1130	DKBUACNC114E
1 1/2"	40	6	193	35	112	24	79	234	126	154	2 1/2"	1/4"	164	2768	DKBUACNC112E
2"	50	6	231	46	142	24	98	272	157	184	2 3/4"	1/4"	195	6068	DKBUACNC200E

DIMENSIONS

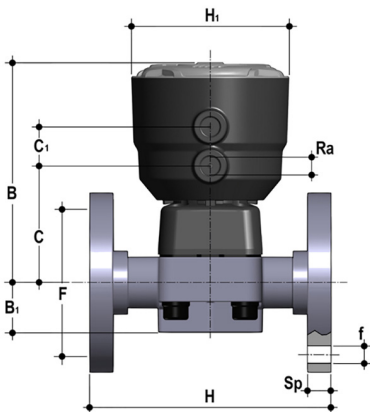
DKB/CP DN 15÷65 PVC-C



DKBOC/CP NC

Pneumatically actuated diaphragm valve with monolithic flanged body, drilled PN10/16. Face to face according to EN 558-1. Normally Closed function

d	DN	PN	B	B ₁	C	C ₁	F	f	H	H ₁	R ₃	U	Sp	g	EPDM Code
20	15	6	134	25	66	24	65	14	130	97	1/4"	4	13.5	912	DKBOCNC020E
25	20	6	137	30	69	24	75	14	150	97	1/4"	4	13.5	1003	DKBOCNC025E
32	25	6	145	33	78	24	85	14	160	97	1/4"	4	13.5	1289	DKBOCNC032E
40	32	6	149	30	82	24	100	18	180	97	1/4"	4	14	1503	DKBOCNC040E
50	40	6	193	35	112	24	110	18	200	126	1/4"	4	16	3271	DKBOCNC050E
63	50	6	231	46	142	24	125	18	230	157	1/4"	4	16	6542	DKBOCNC063E
75	65	6	231	46	142	24	145	18	290	157	1/4"	4	21	7485	DKBOCNC075E



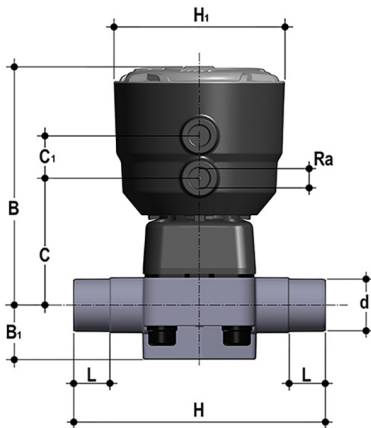
DKBOAC/CP NC

Pneumatically actuated diaphragm valve with monolithic flanged body, drilled ANSI B16.5 cl. 150 #FF. Normally Closed function

d	DN	PN	B	B ₁	C	C ₁	F	f	H	H ₁	R ₃	U	Sp	g	EPDM Code
1/2"	15	6	134	25	66	24	60.30	14	108	97	1/4"	4	13.5	912	DKBOACNC012E
3/4"	20	6	137	30	69	24	69.90	15.7	120	97	1/4"	4	13.5	1003	DKBOACNC034E
1"	25	6	145	33	78	24	79.40	15.7	131	97	1/4"	4	13.5	1289	DKBOACNC100E
1" 1/4	32	6	149	30	82	24	88.90	15.7	162	97	1/4"	4	14	1503	DKBOACNC114E
1" 1/2	40	6	193	35	112	24	98.40	15.7	180	126	1/4"	4	16	3271	DKBOACNC112E
2"	50	6	231	46	142	24	120.70	19	210	157	1/4"	4	16	6542	DKBOACNC200E
2" 1/2	65	6	231	46	142	24	139.70	19	250	157	1/4"	4	21	7485	DKBOACNC212E

DIMENSIONS

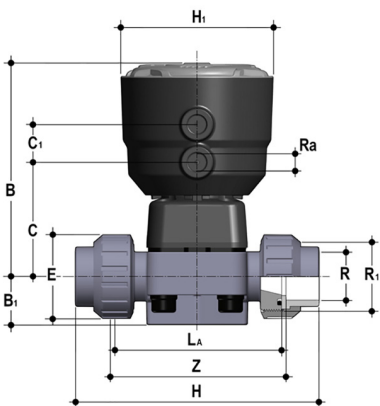
DKB/CP DN 15÷65 PP-H



DKBDM/CP NC

Pneumatically actuated diaphragm valve with male ends for socket welding, metric series
Normally Closed function

d	DN	PN	B	B ₁	C	C ₁	H	H ₁	L	R ₀	g	EPDM Code
20	15	6	134	25	66	24	124	97	16	1/4"	615	DKBDMNC020E
25	20	6	137	30	69	24	144	97	19	1/4"	630	DKBDMNC025E
32	25	6	145	33	78	24	154	97	22	1/4"	805	DKBDMNC032E
40	32	6	149	30	82	24	174	97	26	1/4"	835	DKBDMNC040E
50	40	6	193	35	112	24	194	126	31	1/4"	2342	DKBDMNC050E
63	50	6	231	46	142	24	224	157	38	1/4"	5480	DKBDMNC063E
75	65	6	231	46	142	24	284	157	44	1/4"	5630	DKBDMNC075E



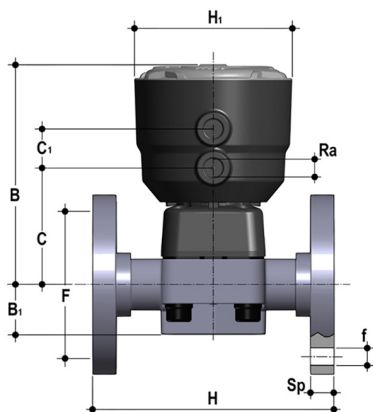
DKBUIM/CP NC

Pneumatically actuated diaphragm valve with female union ends for socket welding, metric series
Normally Closed function

d	DN	PN	B	B ₁	C	C ₁	E	H	H ₁	L ₀	R ₁	R ₀	Z	g	EPDM Code
20	15	6	134	25	66	24	41	129	97	90	1"	1/4"	100	639	DKBUIMNC020E
25	20	6	137	30	69	24	50	154	97	108	1"1/4	1/4"	116	685	DKBUIMNC025E
32	25	6	145	33	78	24	58	168	97	116	1"1/2	1/4"	124	880	DKBUIMNC032E
40	32	6	149	30	82	24	72	192	97	134	2"	1/4"	140	966	DKBUIMNC040E
50	40	6	193	35	112	24	79	222	126	154	2"1/4	1/4"	160	2511	DKBUIMNC050E
63	50	6	231	46	142	24	98	266	157	184	2"3/4	1/4"	190	5609	DKBUIMNC063E

DIMENSIONS

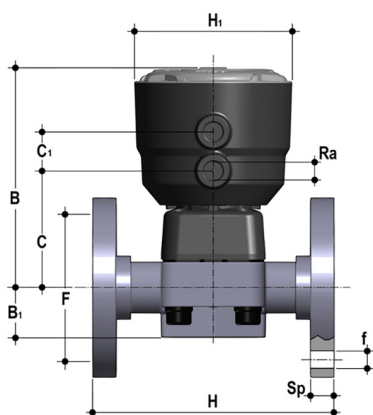
DKB/CP DN 15÷65 PP-H



DKBOM/CP NC

Pneumatically actuated diaphragm valve with monolithic flanged body, drilled PN10/16. Face to face according to EN 558-1. Normally Closed function

d	DN	PN	B	B ₁	C	C ₁	F	f	H	H ₁	R ₃	U	Sp	g	EPDM Code
20	15	6	134	25	66	24	65	14	130	97	1/4"	4	13.5	767	DKBOMNC020E
25	20	6	137	30	69	24	75	14	150	97	1/4"	4	13.5	815	DKBOMNC025E
32	25	6	145	33	78	24	85	14	160	97	1/4"	4	13.5	1059	DKBOMNC032E
40	32	6	149	30	82	24	100	18	180	97	1/4"	4	14	1144	DKBOMNC040E
50	40	6	193	35	112	24	110	18	200	126	1/4"	4	16	2743	DKBOMNC050E
63	50	6	231	46	142	24	125	18	230	157	1/4"	4	16	5795	DKBOMNC063E
75	65	6	231	46	142	24	145	18	290	157	1/4"	4	21	6339	DKBOMNC075E



DKBOAM/CP NC

Pneumatically actuated diaphragm valve with monolithic flanged body, drilled ANSI B16.5 cl. 150 #FF. Normally Closed function

d	DN	PN	B	B ₁	C	C ₁	F	f	H	H ₁	R ₃	U	Sp	g	EPDM Code
1/2"	15	6	134	25	66	24	60.30	14	108	97	1/4"	4	13.5	767	DKBOAMNC012E
3/4"	20	6	137	30	69	24	69.90	15.7	120	97	1/4"	4	13.5	815	DKBOAMNC034E
1"	25	6	145	33	78	24	79.40	15.7	131	97	1/4"	4	13.5	1059	DKBOAMNC100E
1" 1/4	32	6	149	30	82	24	88.90	15.7	162	97	1/4"	4	14	1144	DKBOAMNC114E
1" 1/2	40	6	193	35	112	24	98.40	15.7	180	126	1/4"	4	16	2743	DKBOAMNC112E
2"	50	6	231	46	142	24	120.70	19	210	157	1/4"	4	16	5795	DKBOAMNC200E
2" 1/2	65	6	231	46	142	24	139.70	19	250	157	1/4"	4	21	6339	DKBOAMNC212E