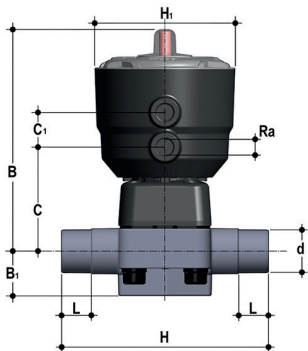


DIMENSIONS

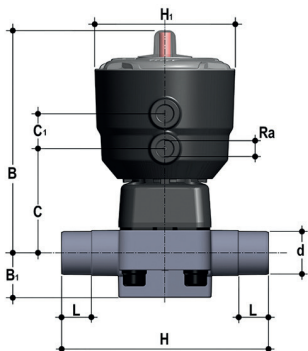
DK/CP DN 15÷65 PVC-U



DKDV/CP NC

Pneumatically actuated diaphragm valve with male ends, metric series. Normally Closed function

| d | DN | PN | B | B ₁ | C | C ₁ | H | H ₁ | L | R ₂ | g | EPDM Code | FKM Code | PTFE Code |
|----|----|----|-----|----------------|-----|----------------|-----|----------------|----|----------------|------|------------|------------|------------|
| 20 | 15 | 10 | 148 | 25 | 66 | 24 | 124 | 97 | 16 | 1/4" | 695 | DKDVNC020E | DKDVNC020F | DKDVNC020P |
| 25 | 20 | 10 | 151 | 30 | 69 | 24 | 144 | 97 | 19 | 1/4" | 717 | DKDVNC025E | DKDVNC025F | DKDVNC025P |
| 32 | 25 | 10 | 159 | 33 | 78 | 24 | 154 | 97 | 22 | 1/4" | 917 | DKDVNC032E | DKDVNC032F | DKDVNC032P |
| 40 | 32 | 10 | 163 | 30 | 82 | 24 | 174 | 97 | 26 | 1/4" | 961 | DKDVNC040E | DKDVNC040F | DKDVNC040P |
| 50 | 40 | 10 | 207 | 35 | 112 | 24 | 194 | 126 | 31 | 1/4" | 2702 | DKDVNC050E | DKDVNC050F | DKDVNC050P |
| 63 | 50 | 10 | 245 | 46 | 142 | 24 | 224 | 157 | 38 | 1/4" | 5918 | DKDVNC063E | DKDVNC063F | DKDVNC063P |
| 75 | 65 | 10 | 245 | 46 | 142 | 24 | 284 | 157 | 44 | 1/4" | 6090 | DKDVNC075E | DKDVNC075F | DKDVNC075P |



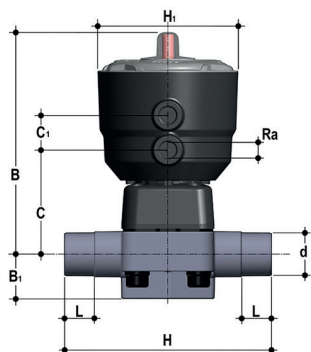
DKDV/CP NO

Pneumatically actuated diaphragm valve with male ends, metric series. Normally Open function

| d | DN | PN | B | B ₁ | C | C ₁ | H | H ₁ | L | R ₂ | g | EPDM Code | FKM Code | PTFE Code |
|----|----|----|-----|----------------|-----|----------------|-----|----------------|----|----------------|------|------------|------------|------------|
| 20 | 15 | 10 | 148 | 25 | 66 | 24 | 124 | 97 | 16 | 1/4" | 695 | DKDVNO020E | DKDVNO020F | DKDVNO020P |
| 25 | 20 | 10 | 151 | 30 | 69 | 24 | 144 | 97 | 19 | 1/4" | 717 | DKDVNO025E | DKDVNO025F | DKDVNO025P |
| 32 | 25 | 10 | 159 | 33 | 78 | 24 | 154 | 97 | 22 | 1/4" | 917 | DKDVNO032E | DKDVNO032F | DKDVNO032P |
| 40 | 32 | 10 | 163 | 30 | 82 | 24 | 174 | 97 | 26 | 1/4" | 961 | DKDVNO040E | DKDVNO040F | DKDVNO040P |
| 50 | 40 | 10 | 207 | 35 | 112 | 24 | 194 | 126 | 31 | 1/4" | 2242 | DKDVNO050E | DKDVNO050F | DKDVNO050P |
| 63 | 50 | 10 | 245 | 46 | 142 | 24 | 224 | 157 | 38 | 1/4" | 4136 | DKDVNO063E | DKDVNO063F | DKDVNO063P |
| 75 | 65 | 10 | 245 | 46 | 142 | 24 | 284 | 157 | 44 | 1/4" | 4308 | DKDVNO075E | DKDVNO075F | DKDVNO075P |

DIMENSIONS

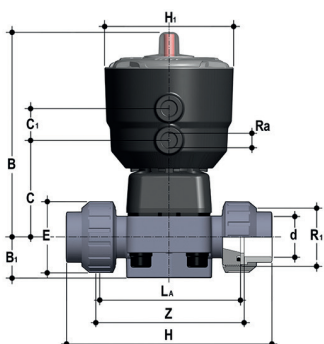
DK/CP DN 15÷65 PVC-U



DKDV/CP DA

Pneumatically actuated diaphragm valve with male ends, metric series. Double-Acting function

| d | DN | PN | B | B ₁ | C | C ₁ | H | H ₁ | L | R ₂ | g | EPDM Code | FKM Code | PTFE Code |
|----|----|----|-----|----------------|-----|----------------|-----|----------------|----|----------------|------|------------|------------|------------|
| 20 | 15 | 10 | 148 | 25 | 66 | 24 | 124 | 97 | 16 | 1/4" | 575 | DKDVDA020E | DKDVDA020F | DKDVDA020P |
| 25 | 20 | 10 | 151 | 30 | 69 | 24 | 144 | 97 | 19 | 1/4" | 597 | DKDVDA025E | DKDVDA025F | DKDVDA025P |
| 32 | 25 | 10 | 159 | 33 | 78 | 24 | 154 | 97 | 22 | 1/4" | 797 | DKDVDA032E | DKDVDA032F | DKDVDA032P |
| 40 | 32 | 10 | 163 | 30 | 82 | 24 | 174 | 97 | 26 | 1/4" | 841 | DKDVDA040E | DKDVDA040F | DKDVDA040P |
| 50 | 40 | 10 | 207 | 35 | 112 | 24 | 194 | 126 | 31 | 1/4" | 2000 | DKDVDA050E | DKDVDA050F | DKDVDA050P |
| 63 | 50 | 10 | 245 | 46 | 142 | 24 | 224 | 157 | 38 | 1/4" | 3698 | DKDVDA063E | DKDVDA063F | DKDVDA063P |
| 75 | 65 | 10 | 245 | 46 | 142 | 24 | 284 | 157 | 44 | 1/4" | 3870 | DKDVDA075E | DKDVDA075F | DKDVDA075P |



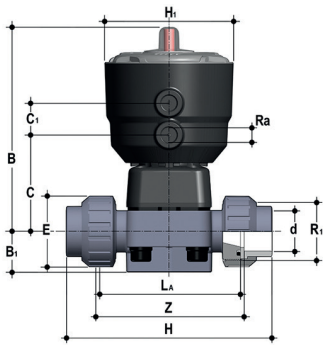
DKUIV/CP NC

Pneumatically actuated diaphragm valve with female union ends, metric series. Normally Closed function

| d | DN | PN | B | B ₁ | C | C ₁ | E | H | H ₁ | L ₁ | R ₁ | R ₂ | Z | g | EPDM Code | FKM Code | PTFE Code |
|----|----|----|-----|----------------|-----|----------------|----|-----|----------------|----------------|----------------|----------------|-----|------|-------------|-------------|-------------|
| 20 | 15 | 10 | 148 | 25 | 66 | 24 | 41 | 129 | 97 | 90 | 1" | 1/4" | 100 | 735 | DKUIVNC020E | DKUIVNC020F | DKUIVNC020P |
| 25 | 20 | 10 | 151 | 30 | 69 | 24 | 50 | 154 | 97 | 108 | 1 1/4" | 1/4" | 116 | 797 | DKUIVNC025E | DKUIVNC025F | DKUIVNC025P |
| 32 | 25 | 10 | 159 | 33 | 78 | 24 | 58 | 168 | 97 | 116 | 1 1/2" | 1/4" | 124 | 1025 | DKUIVNC032E | DKUIVNC032F | DKUIVNC032P |
| 40 | 32 | 10 | 163 | 30 | 82 | 24 | 72 | 192 | 97 | 134 | 2" | 1/4" | 140 | 1151 | DKUIVNC040E | DKUIVNC040F | DKUIVNC040P |
| 50 | 40 | 10 | 207 | 35 | 112 | 24 | 79 | 222 | 126 | 154 | 2 1/4" | 1/4" | 160 | 2922 | DKUIVNC050E | DKUIVNC050F | DKUIVNC050P |
| 63 | 50 | 10 | 245 | 46 | 142 | 24 | 98 | 266 | 157 | 184 | 2 3/4" | 1/4" | 190 | 6304 | DKUIVNC063E | DKUIVNC063F | DKUIVNC063P |

DIMENSIONS

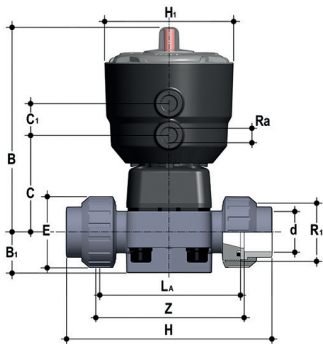
DK/CP DN 15÷65 PVC-U



DKUIV/CP NO

Pneumatically actuated diaphragm valve with female union ends, metric series. Normally Open function

| d | DN | PN | B | B ₁ | C | C ₁ | E | H | H ₁ | L ₁ | R ₁ | R ₂ | Z | g | EPDM Code | FKM Code | PTFE Code |
|----|----|----|-----|----------------|-----|----------------|----|-----|----------------|----------------|----------------|----------------|-----|------|-------------|-------------|-------------|
| 20 | 15 | 10 | 148 | 25 | 66 | 24 | 41 | 129 | 97 | 90 | 1" | 1/4" | 100 | 735 | DKUIVNO020E | DKUIVNO020F | DKUIVNO020P |
| 25 | 20 | 10 | 151 | 30 | 69 | 24 | 50 | 154 | 97 | 108 | 1 1/4" | 1/4" | 116 | 797 | DKUIVNO025E | DKUIVNO025F | DKUIVNO025P |
| 32 | 25 | 10 | 159 | 33 | 78 | 24 | 58 | 168 | 97 | 116 | 1 1/2" | 1/4" | 124 | 1025 | DKUIVNO032E | DKUIVNO032F | DKUIVNO032P |
| 40 | 32 | 10 | 163 | 30 | 82 | 24 | 72 | 192 | 97 | 134 | 2" | 1/4" | 140 | 1151 | DKUIVNO040E | DKUIVNO040F | DKUIVNO040P |
| 50 | 40 | 10 | 207 | 35 | 112 | 24 | 79 | 222 | 126 | 154 | 2 1/4" | 1/4" | 160 | 2462 | DKUIVNO050E | DKUIVNO050F | DKUIVNO050P |
| 63 | 50 | 10 | 245 | 46 | 142 | 24 | 98 | 266 | 157 | 184 | 2 3/4" | 1/4" | 190 | 4522 | DKUIVNO063E | DKUIVNO063F | DKUIVNO063P |



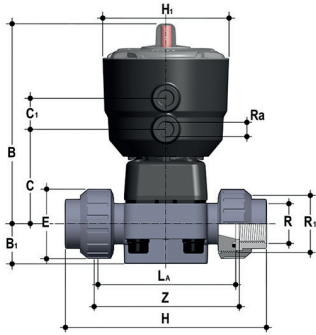
DKUIV/CP DA

Pneumatically actuated diaphragm valve with female union ends, metric series. Double-Acting function

| d | DN | PN | B | B ₁ | C | C ₁ | E | H | H ₁ | L ₁ | R ₁ | R ₂ | Z | g | EPDM Code | FKM Code | PTFE Code |
|----|----|----|-----|----------------|-----|----------------|----|-----|----------------|----------------|----------------|----------------|-----|------|-------------|-------------|-------------|
| 20 | 15 | 10 | 148 | 25 | 66 | 24 | 41 | 129 | 97 | 90 | 1" | 1/4" | 100 | 615 | DKUIVDA020E | DKUIVDA020F | DKUIVDA020P |
| 25 | 20 | 10 | 151 | 30 | 69 | 24 | 50 | 154 | 97 | 108 | 1 1/4" | 1/4" | 116 | 677 | DKUIVDA025E | DKUIVDA025F | DKUIVDA025P |
| 32 | 25 | 10 | 159 | 33 | 78 | 24 | 58 | 168 | 97 | 116 | 1 1/2" | 1/4" | 124 | 905 | DKUIVDA032E | DKUIVDA032F | DKUIVDA032P |
| 40 | 32 | 10 | 163 | 30 | 82 | 24 | 72 | 192 | 97 | 134 | 2" | 1/4" | 140 | 1031 | DKUIVDA040E | DKUIVDA040F | DKUIVDA040P |
| 50 | 40 | 10 | 207 | 35 | 112 | 24 | 79 | 222 | 126 | 154 | 2 1/4" | 1/4" | 160 | 2220 | DKUIVDA050E | DKUIVDA050F | DKUIVDA050P |
| 63 | 50 | 10 | 245 | 46 | 142 | 24 | 98 | 266 | 157 | 184 | 2 3/4" | 1/4" | 190 | 4084 | DKUIVDA063E | DKUIVDA063F | DKUIVDA063P |

DIMENSIONS

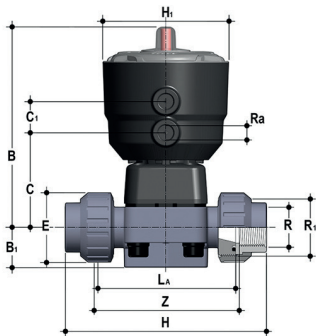
DK/CP DN 15÷65 PVC-U



DKUFV/CP NC

Pneumatically actuated diaphragm valve with BSP threaded female union ends. Normally Closed function

| R | DN | PN | B | B ₁ | C | C ₁ | E | H | H ₁ | L ₀ | R ₁ | R ₂ | Z | g | EPDM Code | FKM Code | PTFE Code |
|--------|----|----|-----|----------------|-----|----------------|----|-----|----------------|----------------|----------------|----------------|-----|------|-------------|-------------|-------------|
| 1/2" | 15 | 10 | 148 | 25 | 66 | 24 | 41 | 131 | 97 | 90 | 1" | 1/4" | 97 | 735 | DKUFVNC012E | DKUFVNC012F | DKUFVNC012P |
| 3/4" | 20 | 10 | 151 | 30 | 69 | 24 | 50 | 151 | 97 | 108 | 1 1/4" | 1/4" | 118 | 797 | DKUFVNC034E | DKUFVNC034F | DKUFVNC034P |
| 1" | 25 | 10 | 159 | 33 | 78 | 24 | 58 | 165 | 97 | 116 | 1 1/2" | 1/4" | 127 | 1025 | DKUFVNC100E | DKUFVNC100F | DKUFVNC100P |
| 1 1/4" | 32 | 10 | 163 | 30 | 82 | 24 | 72 | 188 | 97 | 134 | 2" | 1/4" | 145 | 1151 | DKUFVNC114E | DKUFVNC114F | DKUFVNC114P |
| 1 1/2" | 40 | 10 | 207 | 35 | 112 | 24 | 79 | 208 | 126 | 154 | 2 1/2" | 1/4" | 165 | 2922 | DKUFVNC112E | DKUFVNC112F | DKUFVNC112P |
| 2" | 50 | 10 | 245 | 46 | 142 | 24 | 98 | 246 | 157 | 184 | 2 3/4" | 1/4" | 195 | 6304 | DKUFVNC200E | DKUFVNC200F | DKUFVNC200P |



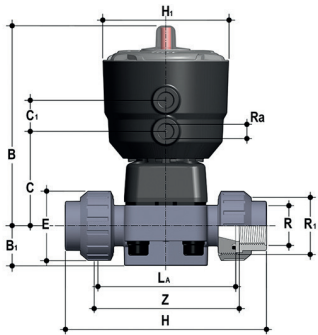
DKUFV/CP NO

Pneumatically actuated diaphragm valve with BSP threaded female union ends. Normally Open function

| R | DN | PN | B | B ₁ | C | C ₁ | E | H | H ₁ | L ₀ | R ₁ | R ₂ | Z | g | EPDM Code | FKM Code | PTFE Code |
|--------|----|----|-----|----------------|-----|----------------|----|-----|----------------|----------------|----------------|----------------|-----|------|-------------|-------------|-------------|
| 1/2" | 15 | 10 | 148 | 25 | 66 | 24 | 41 | 131 | 97 | 90 | 1" | 1/4" | 97 | 735 | DKUFVNO012E | DKUFVNO012F | DKUFVNO012P |
| 3/4" | 20 | 10 | 151 | 30 | 69 | 24 | 50 | 151 | 97 | 108 | 1 1/4" | 1/4" | 118 | 797 | DKUFVNO034E | DKUFVNO034F | DKUFVNO034P |
| 1" | 25 | 10 | 159 | 33 | 78 | 24 | 58 | 165 | 97 | 116 | 1 1/2" | 1/4" | 127 | 1025 | DKUFVNO100E | DKUFVNO100F | DKUFVNO100P |
| 1 1/4" | 32 | 10 | 163 | 30 | 82 | 24 | 72 | 188 | 97 | 134 | 2" | 1/4" | 145 | 1151 | DKUFVNO114E | DKUFVNO114F | DKUFVNO114P |
| 1 1/2" | 40 | 10 | 207 | 35 | 112 | 24 | 79 | 208 | 126 | 154 | 2 1/2" | 1/4" | 165 | 2462 | DKUFVNO112E | DKUFVNO112F | DKUFVNO112P |
| 2" | 50 | 10 | 245 | 46 | 142 | 24 | 98 | 246 | 157 | 184 | 2 3/4" | 1/4" | 195 | 4522 | DKUFVNO200E | DKUFVNO200F | DKUFVNO200P |

DIMENSIONS

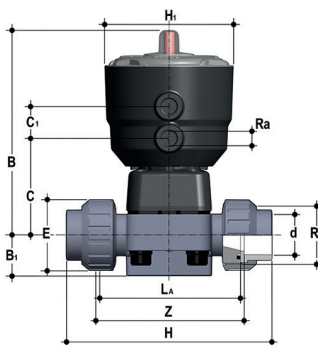
DK/CP DN 15÷65 PVC-U



DKUFV/CP DA

Pneumatically actuated diaphragm valve with BSP threaded female union ends. Double-Acting function

| R | DN | PN | B | B ₁ | C | C ₁ | E | H | H ₁ | L ₀ | R ₁ | R ₂ | Z | g | EPDM Code | FKM Code | PTFE Code |
|--------|----|----|-----|----------------|-----|----------------|----|-----|----------------|----------------|----------------|----------------|-----|------|-------------|-------------|-------------|
| 1/2" | 15 | 10 | 148 | 25 | 66 | 24 | 41 | 131 | 97 | 90 | 1" | 1/4" | 97 | 615 | DKUFVDA012E | DKUFVDA012F | DKUFVDA012P |
| 3/4" | 20 | 10 | 151 | 30 | 69 | 24 | 50 | 151 | 97 | 108 | 1 1/4" | 1/4" | 118 | 677 | DKUFVDA034E | DKUFVDA034F | DKUFVDA034P |
| 1" | 25 | 10 | 159 | 33 | 78 | 24 | 58 | 165 | 97 | 116 | 1 1/2" | 1/4" | 127 | 905 | DKUFVDA100E | DKUFVDA100F | DKUFVDA100P |
| 1 1/4" | 32 | 10 | 163 | 30 | 82 | 24 | 72 | 188 | 97 | 134 | 2" | 1/4" | 145 | 1031 | DKUFVDA114E | DKUFVDA114F | DKUFVDA114P |
| 1 1/2" | 40 | 10 | 207 | 35 | 112 | 24 | 79 | 208 | 126 | 154 | 2 1/2" | 1/4" | 165 | 2220 | DKUFVDA112E | DKUFVDA112F | DKUFVDA112P |
| 2" | 50 | 10 | 245 | 46 | 142 | 24 | 98 | 246 | 157 | 184 | 2 3/4" | 1/4" | 195 | 4084 | DKUFVDA200E | DKUFVDA200F | DKUFVDA200P |



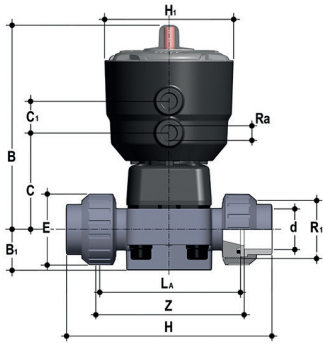
DKUAV/CP NC

Pneumatically actuated diaphragm valve with female union ends for solvent welding, ASTM series Normally Closed function

| R | DN | PN | B | B ₁ | C | C ₁ | E | H | H ₁ | L ₀ | R ₁ | R ₂ | Z | g | EPDM Code | FKM Code | PTFE Code |
|--------|----|----|-----|----------------|-----|----------------|----|-----|----------------|----------------|----------------|----------------|-----|------|-------------|-------------|-------------|
| 1/2" | 15 | 10 | 148 | 25 | 66 | 24 | 41 | 143 | 97 | 90 | 1" | 1/4" | 98 | 735 | DKUAVNC012E | DKUAVNC012F | DKUAVNC012P |
| 3/4" | 20 | 10 | 151 | 30 | 69 | 24 | 50 | 167 | 97 | 108 | 1 1/4" | 1/4" | 115 | 797 | DKUAVNC034E | DKUAVNC034F | DKUAVNC034P |
| 1" | 25 | 10 | 159 | 33 | 78 | 24 | 58 | 180 | 97 | 116 | 1 1/2" | 1/4" | 122 | 1025 | DKUAVNC100E | DKUAVNC100F | DKUAVNC100P |
| 1 1/4" | 32 | 10 | 163 | 30 | 82 | 24 | 72 | 208 | 97 | 134 | 2" | 1/4" | 144 | 1151 | DKUAVNC114E | DKUAVNC114F | DKUAVNC114P |
| 1 1/2" | 40 | 10 | 207 | 35 | 112 | 24 | 79 | 234 | 126 | 154 | 2 1/2" | 1/4" | 164 | 2922 | DKUAVNC112E | DKUAVNC112F | DKUAVNC112P |
| 2" | 50 | 10 | 245 | 46 | 142 | 24 | 98 | 272 | 157 | 184 | 2 3/4" | 1/4" | 195 | 6304 | DKUAVNC200E | DKUAVNC200F | DKUAVNC200P |

DIMENSIONS

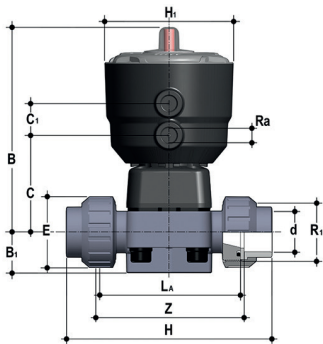
DK/CP DN 15÷65 PVC-U



DKUAV/CP NO

Pneumatically actuated diaphragm valve with female union ends for solvent welding, ASTM series Normally Open function

| R | DN | PN | B | B ₁ | C | C ₁ | E | H | H ₁ | L ₁ | R ₁ | R ₂ | Z | g | EPDM Code | FKM Code | PTFE Code |
|--------|----|----|-----|----------------|-----|----------------|----|-----|----------------|----------------|----------------|----------------|-----|------|-------------|-------------|-------------|
| 1/2" | 15 | 10 | 148 | 25 | 66 | 24 | 41 | 143 | 97 | 90 | 1" | 1/4" | 98 | 735 | DKUAVNO012E | DKUAVNO012F | DKUAVNO012P |
| 3/4" | 20 | 10 | 151 | 30 | 69 | 24 | 50 | 167 | 97 | 108 | 1 1/4" | 1/4" | 115 | 797 | DKUAVNO034E | DKUAVNO034F | DKUAVNO034P |
| 1" | 25 | 10 | 159 | 33 | 78 | 24 | 58 | 180 | 97 | 116 | 1 1/2" | 1/4" | 122 | 1025 | DKUAVNO100E | DKUAVNO100F | DKUAVNO100P |
| 1 1/4" | 32 | 10 | 163 | 30 | 82 | 24 | 72 | 208 | 97 | 134 | 2" | 1/4" | 144 | 1151 | DKUAVNO114E | DKUAVNO114F | DKUAVNO114P |
| 1 1/2" | 40 | 10 | 207 | 35 | 112 | 24 | 79 | 234 | 126 | 154 | 2 1/2" | 1/4" | 164 | 2462 | DKUAVNO112E | DKUAVNO112F | DKUAVNO112P |
| 2" | 50 | 10 | 245 | 46 | 142 | 24 | 98 | 272 | 157 | 184 | 2 3/4" | 1/4" | 195 | 4522 | DKUAVNO200E | DKUAVNO200F | DKUAVNO200P |



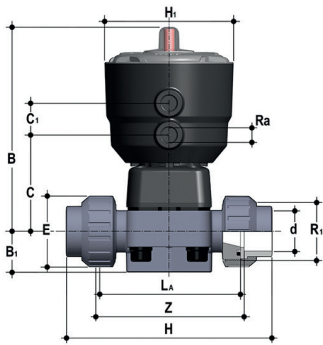
DKUAV/CP DA

Pneumatically actuated diaphragm valve with female union ends for solvent welding, ASTM series Double-Acting function

| R | DN | PN | B | B ₁ | C | C ₁ | E | H | H ₁ | L ₁ | R ₁ | R ₂ | Z | g | EPDM Code | FKM Code | PTFE Code |
|--------|----|----|-----|----------------|-----|----------------|----|-----|----------------|----------------|----------------|----------------|-----|------|-------------|-------------|-------------|
| 1/2" | 15 | 10 | 148 | 25 | 66 | 24 | 41 | 143 | 97 | 90 | 1" | 1/4" | 98 | 615 | DKUAVDA012E | DKUAVDA012F | DKUAVDA012P |
| 3/4" | 20 | 10 | 151 | 30 | 69 | 24 | 50 | 167 | 97 | 108 | 1 1/4" | 1/4" | 115 | 677 | DKUAVDA034E | DKUAVDA034F | DKUAVDA034P |
| 1" | 25 | 10 | 159 | 33 | 78 | 24 | 58 | 180 | 97 | 116 | 1 1/2" | 1/4" | 122 | 905 | DKUAVDA100E | DKUAVDA100F | DKUAVDA100P |
| 1 1/4" | 32 | 10 | 163 | 30 | 82 | 24 | 72 | 208 | 97 | 134 | 2" | 1/4" | 144 | 1031 | DKUAVDA114E | DKUAVDA114F | DKUAVDA114P |
| 1 1/2" | 40 | 10 | 207 | 35 | 112 | 24 | 79 | 234 | 126 | 154 | 2 1/2" | 1/4" | 164 | 2220 | DKUAVDA112E | DKUAVDA112F | DKUAVDA112P |
| 2" | 50 | 10 | 245 | 46 | 142 | 24 | 98 | 272 | 157 | 184 | 2 3/4" | 1/4" | 195 | 4084 | DKUAVDA200E | DKUAVDA200F | DKUAVDA200P |

DIMENSIONS

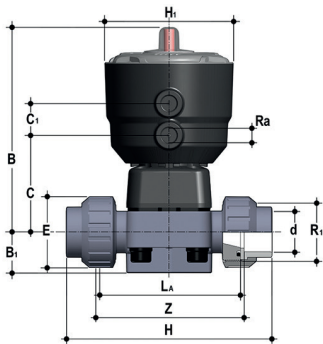
DK/CP DN 15÷65 PVC-U



DKULV/CP NC

Pneumatically actuated diaphragm valve with female union ends for solvent welding, BS series
Normally Closed function

| d | DN | PN | B | B ₁ | C | C ₁ | E | H | H ₁ | L ₁ | R ₁ | R ₂ | Z | g | EPDM Code | FKM Code | PTFE Code |
|--------|----|----|-----|----------------|-----|----------------|----|-----|----------------|----------------|----------------|----------------|-----|------|-------------|-------------|-------------|
| 1/2" | 15 | 10 | 148 | 25 | 66 | 24 | 41 | 131 | 97 | 90 | 1" | 1/4" | 97 | 735 | DKULVNC012E | DKULVNC012F | DKULVNC012P |
| 3/4" | 20 | 10 | 151 | 30 | 69 | 24 | 50 | 154 | 97 | 108 | 1 1/4" | 1/4" | 116 | 797 | DKULVNC034E | DKULVNC034F | DKULVNC034P |
| 1" | 25 | 10 | 159 | 33 | 78 | 24 | 58 | 166 | 97 | 116 | 1 1/2" | 1/4" | 121 | 1025 | DKULVNC100E | DKULVNC100F | DKULVNC100P |
| 1 1/4" | 32 | 10 | 163 | 30 | 82 | 24 | 72 | 194 | 97 | 134 | 2" | 1/4" | 142 | 1151 | DKULVNC114E | DKULVNC114F | DKULVNC114P |
| 1 1/2" | 40 | 10 | 207 | 35 | 112 | 24 | 79 | 222 | 126 | 154 | 2 1/4" | 1/4" | 162 | 2922 | DKULVNC112E | DKULVNC112F | DKULVNC112P |
| 2" | 50 | 10 | 245 | 46 | 142 | 24 | 98 | 266 | 157 | 184 | 2 3/4" | 1/4" | 194 | 6304 | DKULVNC200E | DKULVNC200F | DKULVNC200P |



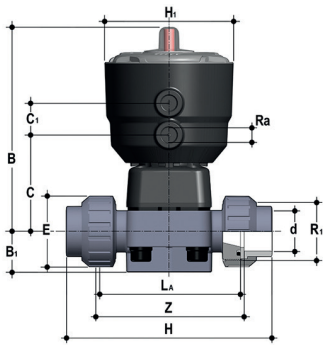
DKULV/CP NO

Pneumatically actuated diaphragm valve with female union ends for solvent welding, BS series
Normally Open function

| d | DN | PN | B | B ₁ | C | C ₁ | E | H | H ₁ | L ₁ | R ₁ | R ₂ | Z | g | EPDM Code | FKM Code | PTFE Code |
|--------|----|----|-----|----------------|-----|----------------|----|-----|----------------|----------------|----------------|----------------|-----|------|-------------|-------------|-------------|
| 1/2" | 15 | 10 | 148 | 25 | 66 | 24 | 41 | 131 | 97 | 90 | 1" | 1/4" | 97 | 735 | DKULVNO012E | DKULVNO012F | DKULVNO012P |
| 3/4" | 20 | 10 | 151 | 30 | 69 | 24 | 50 | 154 | 97 | 108 | 1 1/4" | 1/4" | 116 | 797 | DKULVNO034E | DKULVNO034F | DKULVNO034P |
| 1" | 25 | 10 | 159 | 33 | 78 | 24 | 58 | 166 | 97 | 116 | 1 1/2" | 1/4" | 121 | 1025 | DKULVNO100E | DKULVNO100F | DKULVNO100P |
| 1 1/4" | 32 | 10 | 163 | 30 | 82 | 24 | 72 | 194 | 97 | 134 | 2" | 1/4" | 142 | 1151 | DKULVNO114E | DKULVNO114F | DKULVNO114P |
| 1 1/2" | 40 | 10 | 207 | 35 | 112 | 24 | 79 | 222 | 126 | 154 | 2 1/4" | 1/4" | 162 | 2462 | DKULVNO112E | DKULVNO112F | DKULVNO112P |
| 2" | 50 | 10 | 245 | 46 | 142 | 24 | 98 | 266 | 157 | 184 | 2 3/4" | 1/4" | 194 | 4522 | DKULVNO200E | DKULVNO200F | DKULVNO200P |

DIMENSIONS

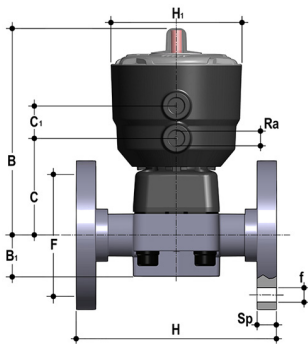
DK/CP DN 15÷65 PVC-U



DKULV/CP DA

Pneumatically actuated diaphragm valve with female union ends for solvent welding, BS series
Double-Acting function

| d | DN | PN | B | B ₁ | C | C ₁ | E | H | H ₁ | L ₁ | R ₁ | R ₂ | Z | g | EPDM Code | FKM Code | PTFE Code |
|--------|----|----|-----|----------------|-----|----------------|----|-----|----------------|----------------|----------------|----------------|-----|------|-------------|-------------|-------------|
| 1/2" | 15 | 10 | 148 | 25 | 66 | 24 | 41 | 131 | 97 | 90 | 1" | 1/4" | 97 | 615 | DKULVDA012E | DKULVDA012F | DKULVDA012P |
| 3/4" | 20 | 10 | 151 | 30 | 69 | 24 | 50 | 154 | 97 | 108 | 1 1/4" | 1/4" | 116 | 677 | DKULVDA034E | DKULVDA034F | DKULVDA034P |
| 1" | 25 | 10 | 159 | 33 | 78 | 24 | 58 | 166 | 97 | 116 | 1 1/2" | 1/4" | 121 | 905 | DKULVDA100E | DKULVDA100F | DKULVDA100P |
| 1 1/4" | 32 | 10 | 163 | 30 | 82 | 24 | 72 | 194 | 97 | 134 | 2" | 1/4" | 142 | 1031 | DKULVDA114E | DKULVDA114F | DKULVDA114P |
| 1 1/2" | 40 | 10 | 207 | 35 | 112 | 24 | 79 | 222 | 126 | 154 | 2 1/4" | 1/4" | 162 | 2220 | DKULVDA112E | DKULVDA112F | DKULVDA112P |
| 2" | 50 | 10 | 245 | 46 | 142 | 24 | 98 | 266 | 157 | 184 | 2 3/4" | 1/4" | 194 | 4084 | DKULVDA200E | DKULVDA200F | DKULVDA200P |



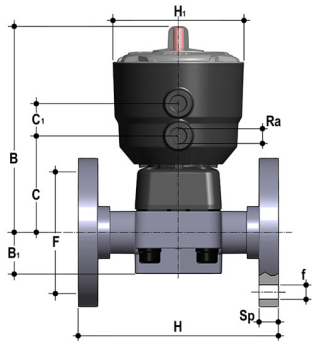
DKOV/CP NC

Pneumatically actuated diaphragm valve with monolithic flanged body, drilled PN10/16. Face to face according to EN 558-1. Normally Closed function

| d | DN | PN | B | B ₁ | C | C ₁ | F | Øf | H | H ₁ | R ₁ | U | Sp | g | EPDM Code | FKM Code | PTFE Code |
|----|----|----|-----|----------------|-----|----------------|-----|----|-----|----------------|----------------|---|------|------|------------|------------|------------|
| 20 | 15 | 10 | 148 | 25 | 66 | 24 | 65 | 14 | 130 | 97 | 1/4" | 4 | 13.5 | 925 | DKOVNC020E | DKOVNC020F | DKOVNC020P |
| 25 | 20 | 10 | 151 | 30 | 69 | 24 | 75 | 14 | 150 | 97 | 1/4" | 4 | 13.5 | 1005 | DKOVNC025E | DKOVNC025F | DKOVNC025P |
| 32 | 25 | 10 | 159 | 33 | 78 | 24 | 85 | 14 | 160 | 97 | 1/4" | 4 | 13.5 | 1271 | DKOVNC032E | DKOVNC032F | DKOVNC032P |
| 40 | 32 | 10 | 163 | 30 | 82 | 24 | 100 | 18 | 180 | 97 | 1/4" | 4 | 14 | 1461 | DKOVNC040E | DKOVNC040F | DKOVNC040P |
| 50 | 40 | 10 | 207 | 35 | 112 | 24 | 110 | 18 | 200 | 126 | 1/4" | 4 | 16 | 3336 | DKOVNC050E | DKOVNC050F | DKOVNC050P |
| 63 | 50 | 10 | 245 | 46 | 142 | 24 | 125 | 18 | 230 | 157 | 1/4" | 4 | 16 | 6671 | DKOVNC063E | DKOVNC063F | DKOVNC063P |
| 75 | 65 | 10 | 245 | 46 | 142 | 24 | 145 | 18 | 290 | 157 | 1/4" | 4 | 21 | 7272 | DKOVNC075E | DKOVNC075F | DKOVNC075P |

DIMENSIONS

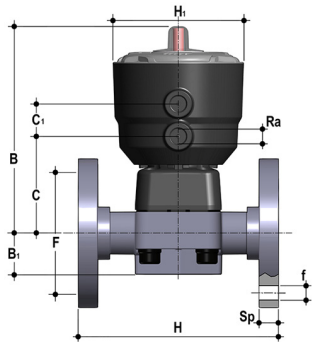
DK/CP DN 15÷65 PVC-U



DKOV/CP NO

Pneumatically actuated diaphragm valve with monolithic flanged body, drilled PN10/16. Face to face according to EN 558-1. Normally Open function

| d | DN | PN | B | B ₁ | C | C ₁ | F | Øf | H | H ₁ | R _a | U | Sp | g | EPDM Code | FKM Code | PTFE Code |
|----|----|----|-----|----------------|-----|----------------|-----|----|-----|----------------|----------------|---|------|------|------------|------------|------------|
| 20 | 15 | 10 | 148 | 25 | 66 | 24 | 65 | 14 | 130 | 97 | 1/4" | 4 | 13.5 | 925 | DKOVNO020E | DKOVNO020F | DKOVNO020P |
| 25 | 20 | 10 | 151 | 30 | 69 | 24 | 75 | 14 | 150 | 97 | 1/4" | 4 | 13.5 | 1005 | DKOVNO025E | DKOVNO025F | DKOVNO025P |
| 32 | 25 | 10 | 159 | 33 | 78 | 24 | 85 | 14 | 160 | 97 | 1/4" | 4 | 13.5 | 1271 | DKOVNO032E | DKOVNO032F | DKOVNO032P |
| 40 | 32 | 10 | 163 | 30 | 82 | 24 | 100 | 18 | 180 | 97 | 1/4" | 4 | 14 | 1461 | DKOVNO040E | DKOVNO040F | DKOVNO040P |
| 50 | 40 | 10 | 207 | 35 | 112 | 24 | 110 | 18 | 200 | 126 | 1/4" | 4 | 16 | 2876 | DKOVNO050E | DKOVNO050F | DKOVNO050P |
| 63 | 50 | 10 | 245 | 46 | 142 | 24 | 125 | 18 | 230 | 157 | 1/4" | 4 | 16 | 4889 | DKOVNO063E | DKOVNO063F | DKOVNO063P |
| 75 | 65 | 10 | 245 | 46 | 142 | 24 | 145 | 18 | 290 | 157 | 1/4" | 4 | 21 | 5490 | DKOVNO075E | DKOVNO075F | DKOVNO075P |



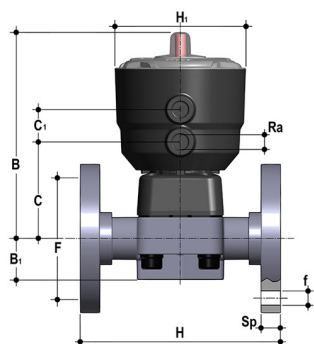
DKOV/CP DA

Pneumatically actuated diaphragm valve with monolithic flanged body, drilled PN10/16. Face to face according to EN 558-1. Double-Acting function

| d | DN | PN | B | B ₁ | C | C ₁ | F | Øf | H | H ₁ | R _a | U | Sp | g | EPDM Code | FKM Code | PTFE Code |
|----|----|----|-----|----------------|-----|----------------|-----|----|-----|----------------|----------------|---|------|------|------------|------------|------------|
| 20 | 15 | 10 | 148 | 25 | 66 | 24 | 65 | 14 | 130 | 97 | 1/4" | 4 | 13.5 | 805 | DKOVDA020E | DKOVDA020F | DKOVDA020P |
| 25 | 20 | 10 | 151 | 30 | 69 | 24 | 75 | 14 | 150 | 97 | 1/4" | 4 | 13.5 | 875 | DKOVDA025E | DKOVDA025F | DKOVDA025P |
| 32 | 25 | 10 | 159 | 33 | 78 | 24 | 85 | 14 | 160 | 97 | 1/4" | 4 | 13.5 | 1151 | DKOVDA032E | DKOVDA032F | DKOVDA032P |
| 40 | 32 | 10 | 163 | 30 | 82 | 24 | 100 | 18 | 180 | 97 | 1/4" | 4 | 14 | 1351 | DKOVDA040E | DKOVDA040F | DKOVDA040P |
| 50 | 40 | 10 | 207 | 35 | 112 | 24 | 110 | 18 | 200 | 126 | 1/4" | 4 | 16 | 2634 | DKOVDA050E | DKOVDA050F | DKOVDA050P |
| 63 | 50 | 10 | 245 | 46 | 142 | 24 | 125 | 18 | 230 | 157 | 1/4" | 4 | 16 | 4451 | DKOVDA063E | DKOVDA063F | DKOVDA063P |
| 75 | 65 | 10 | 245 | 46 | 142 | 24 | 145 | 18 | 290 | 157 | 1/4" | 4 | 21 | 5052 | DKOVDA075E | DKOVDA075F | DKOVDA075P |

DIMENSIONS

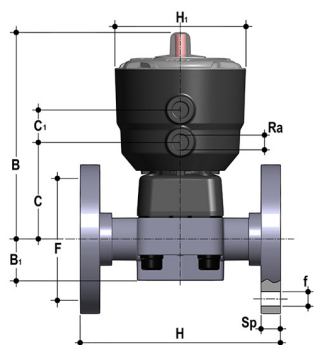
DK/CP DN 15÷65 PVC-U



DKOAV/CP NC

Pneumatically actuated diaphragm valve with monolithic flanged body, drilled ANSI B16.5 cl. 150 #FF. Normally Closed function

| d | DN | PN | B | B ₁ | C | C ₁ | F | Øf | H | H ₁ | R ₂ | U | Sp | g | EPDM Code | FKM Code | PTFE Code |
|--------|----|----|-----|----------------|-----|----------------|--------|------|-----|----------------|----------------|---|------|------|-------------|-------------|-------------|
| 1/2" | 15 | 10 | 148 | 25 | 66 | 24 | 60.30 | 14 | 108 | 97 | 1/4" | 4 | 13.5 | 925 | DKOAVNC012E | DKOAVNC012F | DKOAVNC012P |
| 3/4" | 20 | 10 | 151 | 30 | 69 | 24 | 69.90 | 15.7 | 120 | 97 | 1/4" | 4 | 13.5 | 1005 | DKOAVNC034E | DKOAVNC034F | DKOAVNC034P |
| 1" | 25 | 10 | 159 | 33 | 78 | 24 | 79.40 | 15.7 | 131 | 97 | 1/4" | 4 | 13.5 | 1271 | DKOAVNC100E | DKOAVNC100F | DKOAVNC100P |
| 1" 1/4 | 32 | 10 | 163 | 30 | 82 | 24 | 88.90 | 15.7 | 162 | 97 | 1/4" | 4 | 14 | 1461 | DKOAVNC114E | DKOAVNC114F | DKOAVNC114P |
| 1" 1/2 | 40 | 10 | 207 | 35 | 112 | 24 | 98.40 | 15.7 | 180 | 126 | 1/4" | 4 | 16 | 3336 | DKOAVNC112E | DKOAVNC112F | DKOAVNC112P |
| 2" | 50 | 10 | 245 | 46 | 142 | 24 | 120.70 | 19 | 210 | 157 | 1/4" | 4 | 16 | 6671 | DKOAVNC200E | DKOAVNC200F | DKOAVNC200P |
| 2" 1/2 | 65 | 10 | 245 | 46 | 142 | 24 | 139.70 | 19 | 250 | 157 | 1/4" | 4 | 21 | 7272 | DKOAVNC212E | DKOAVNC212F | DKOAVNC212P |



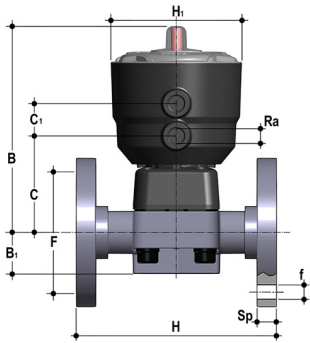
DKOAV/CP NO

Pneumatically actuated diaphragm valve with monolithic flanged body, drilled ANSI B16.5 cl. 150 #FF. Normally Open function

| d | DN | PN | B | B ₁ | C | C ₁ | F | Øf | H | H ₁ | R ₂ | U | Sp | g | EPDM Code | FKM Code | PTFE Code |
|--------|----|----|-----|----------------|-----|----------------|--------|------|-----|----------------|----------------|---|------|------|-------------|-------------|-------------|
| 1/2" | 15 | 10 | 148 | 25 | 66 | 24 | 60.30 | 14 | 108 | 97 | 1/4" | 4 | 13.5 | 925 | DKOAVNO012E | DKOAVNO012F | DKOAVNO012P |
| 3/4" | 20 | 10 | 151 | 30 | 69 | 24 | 69.90 | 15.7 | 120 | 97 | 1/4" | 4 | 13.5 | 1005 | DKOAVNO034E | DKOAVNO034F | DKOAVNO034P |
| 1" | 25 | 10 | 159 | 33 | 78 | 24 | 79.40 | 15.7 | 131 | 97 | 1/4" | 4 | 13.5 | 1271 | DKOAVNO100E | DKOAVNO100F | DKOAVNO100P |
| 1" 1/4 | 32 | 10 | 163 | 30 | 82 | 24 | 88.90 | 15.7 | 162 | 97 | 1/4" | 4 | 14 | 1461 | DKOAVNO114E | DKOAVNO114F | DKOAVNO114P |
| 1" 1/2 | 40 | 10 | 207 | 35 | 112 | 24 | 98.40 | 15.7 | 180 | 126 | 1/4" | 4 | 16 | 2876 | DKOAVNO112E | DKOAVNO112F | DKOAVNO112P |
| 2" | 50 | 10 | 245 | 46 | 142 | 24 | 120.70 | 19 | 210 | 157 | 1/4" | 4 | 16 | 4889 | DKOAVNO200E | DKOAVNO200F | DKOAVNO200P |
| 2" 1/2 | 65 | 10 | 245 | 46 | 142 | 24 | 139.70 | 19 | 250 | 157 | 1/4" | 4 | 21 | 5490 | DKOAVNO212E | DKOAVNO212F | DKOAVNO212P |

DIMENSIONS

DK/CP DN 15÷65 PVC-U



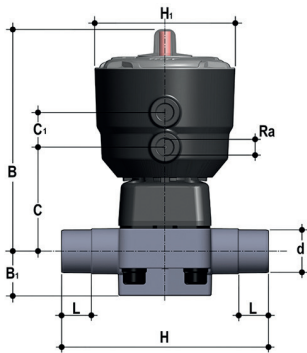
DKOAV/CP DA

Pneumatically actuated diaphragm valve with monolithic flanged body, drilled ANSI B16.5 cl. 150 #FF. Double-Acting function

| d | DN | PN | B | B ₁ | C | C ₁ | F | Øf | H | H ₁ | R _a | U | Sp | g | EPDM Code | FKM Code | PTFE Code |
|--------|----|----|-----|----------------|-----|----------------|--------|------|-----|----------------|----------------|---|------|------|-------------|-------------|-------------|
| 1/2" | 15 | 10 | 148 | 25 | 66 | 24 | 60.30 | 14 | 108 | 97 | 1/4" | 4 | 13.5 | 805 | DKOAVDA012E | DKOAVDA012F | DKOAVDA012P |
| 3/4" | 20 | 10 | 151 | 30 | 69 | 24 | 69.90 | 15.7 | 120 | 97 | 1/4" | 4 | 13.5 | 875 | DKOAVDA034E | DKOAVDA034F | DKOAVDA034P |
| 1" | 25 | 10 | 159 | 33 | 78 | 24 | 79.40 | 15.7 | 131 | 97 | 1/4" | 4 | 13.5 | 1151 | DKOAVDA100E | DKOAVDA100F | DKOAVDA100P |
| 1" 1/4 | 32 | 10 | 163 | 30 | 82 | 24 | 88.90 | 15.7 | 162 | 97 | 1/4" | 4 | 14 | 1351 | DKOAVDA114E | DKOAVDA114F | DKOAVDA114P |
| 1" 1/2 | 40 | 10 | 207 | 35 | 112 | 24 | 98.40 | 15.7 | 180 | 126 | 1/4" | 4 | 16 | 2634 | DKOAVDA112E | DKOAVDA112F | DKOAVDA112P |
| 2" | 50 | 10 | 245 | 46 | 142 | 24 | 120.70 | 19 | 210 | 157 | 1/4" | 4 | 16 | 4451 | DKOAVDA200E | DKOAVDA200F | DKOAVDA200P |
| 2" 1/2 | 65 | 10 | 245 | 46 | 142 | 24 | 139.70 | 19 | 250 | 157 | 1/4" | 4 | 21 | 5052 | DKOAVDA212E | DKOAVDA212F | DKOAVDA212P |

DIMENSIONS

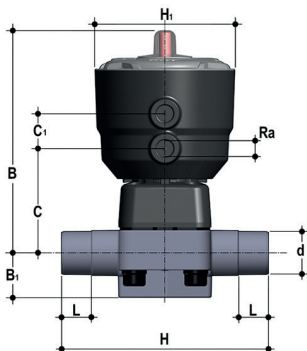
DK/CP DN 15÷65 PVC-C



DKDC/CP NC

Pneumatically actuated diaphragm valve with male ends for solvent welding, metric series.
Normally Closed function

| d | DN | PN | B | B ₁ | C | C ₁ | H | H ₁ | L | R ₂ | g | EPDM Code | FKM Code | PTFE Code |
|----|----|----|-----|----------------|-----|----------------|-----|----------------|----|----------------|------|------------|------------|------------|
| 20 | 15 | 10 | 148 | 25 | 66 | 24 | 124 | 97 | 16 | 1/4" | 701 | DKDCNC020E | DKDCNC020F | DKDCNC020P |
| 25 | 20 | 10 | 151 | 30 | 69 | 24 | 144 | 97 | 19 | 1/4" | 726 | DKDCNC025E | DKDCNC025F | DKDCNC025P |
| 32 | 25 | 10 | 159 | 33 | 78 | 24 | 154 | 97 | 22 | 1/4" | 931 | DKDCNC032E | DKDCNC032F | DKDCNC032P |
| 40 | 32 | 10 | 163 | 30 | 82 | 24 | 174 | 97 | 26 | 1/4" | 978 | DKDCNC040E | DKDCNC040F | DKDCNC040P |
| 50 | 40 | 10 | 207 | 35 | 112 | 24 | 194 | 126 | 31 | 1/4" | 2736 | DKDCNC050E | DKDCNC050F | DKDCNC050P |
| 63 | 50 | 10 | 245 | 46 | 142 | 24 | 224 | 157 | 38 | 1/4" | 5974 | DKDCNC063E | DKDCNC063F | DKDCNC063P |
| 75 | 65 | 10 | 245 | 46 | 142 | 24 | 284 | 157 | 44 | 1/4" | 6155 | DKDCNC075E | DKDCNC075F | DKDCNC075P |



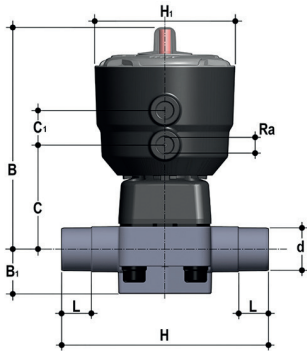
DKDC/CP NO

Pneumatically actuated diaphragm valve with male ends for solvent welding, metric series.
Normally Open function

| d | DN | PN | B | B ₁ | C | C ₁ | H | H ₁ | L | R ₂ | g | EPDM Code | FKM Code | PTFE Code |
|----|----|----|-----|----------------|-----|----------------|-----|----------------|----|----------------|------|------------|------------|------------|
| 20 | 15 | 10 | 148 | 25 | 66 | 24 | 124 | 97 | 16 | 1/4" | 701 | DKDCNO020E | DKDCNO020F | DKDCNO020P |
| 25 | 20 | 10 | 151 | 30 | 69 | 24 | 144 | 97 | 19 | 1/4" | 726 | DKDCNO025E | DKDCNO025F | DKDCNO025P |
| 32 | 25 | 10 | 159 | 33 | 78 | 24 | 154 | 97 | 22 | 1/4" | 931 | DKDCNO032E | DKDCNO032F | DKDCNO032P |
| 40 | 32 | 10 | 163 | 30 | 82 | 24 | 174 | 97 | 26 | 1/4" | 978 | DKDCNO040E | DKDCNO040F | DKDCNO040P |
| 50 | 40 | 10 | 207 | 35 | 112 | 24 | 194 | 126 | 31 | 1/4" | 2276 | DKDCNO050E | DKDCNO050F | DKDCNO050P |
| 63 | 50 | 10 | 245 | 46 | 142 | 24 | 224 | 157 | 38 | 1/4" | 4192 | DKDCNO063E | DKDCNO063F | DKDCNO063P |
| 75 | 65 | 10 | 245 | 46 | 142 | 24 | 284 | 157 | 44 | 1/4" | 4373 | DKDCNO075E | DKDCNO075F | DKDCNO075P |

DIMENSIONS

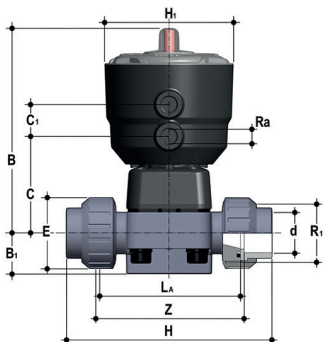
DK/CP DN 15÷65 PVC-C



DKDC/CP DA

Pneumatically actuated diaphragm valve with male ends for solvent welding, metric series.
Double-Acting function

| d | DN | PN | B | B ₁ | C | C ₁ | H | H ₁ | L | R ₂ | g | EPDM Code | FKM Code | PTFE Code |
|----|----|----|-----|----------------|-----|----------------|-----|----------------|----|----------------|------|------------|------------|------------|
| 20 | 15 | 10 | 148 | 25 | 66 | 24 | 124 | 97 | 16 | 1/4" | 581 | DKDCDA020E | DKDCDA020F | DKDCDA020P |
| 25 | 20 | 10 | 151 | 30 | 69 | 24 | 144 | 97 | 19 | 1/4" | 606 | DKDCDA025E | DKDCDA025F | DKDCDA025P |
| 32 | 25 | 10 | 159 | 33 | 78 | 24 | 154 | 97 | 22 | 1/4" | 811 | DKDCDA032E | DKDCDA032F | DKDCDA032P |
| 40 | 32 | 10 | 163 | 30 | 82 | 24 | 174 | 97 | 26 | 1/4" | 858 | DKDCDA040E | DKDCDA040F | DKDCDA040P |
| 50 | 40 | 10 | 207 | 35 | 112 | 24 | 194 | 126 | 31 | 1/4" | 2034 | DKDCDA050E | DKDCDA050F | DKDCDA050P |
| 63 | 50 | 10 | 245 | 46 | 142 | 24 | 224 | 157 | 38 | 1/4" | 3754 | DKDCDA063E | DKDCDA063F | DKDCDA063P |
| 75 | 65 | 10 | 245 | 46 | 142 | 24 | 284 | 157 | 44 | 1/4" | 3935 | DKDCDA075E | DKDCDA075F | DKDCDA075P |



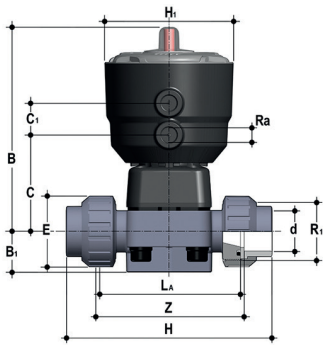
DKUIC/CP NC

Pneumatically actuated diaphragm valve with female union ends for solvent welding, metric series Normally Closed function

| d | DN | PN | B | B ₁ | C | C ₁ | E | H | H ₁ | L ₁ | R ₁ | R ₂ | Z | g | EPDM Code | FKM Code | PTFE Code |
|----|----|----|-----|----------------|-----|----------------|----|-----|----------------|----------------|----------------|----------------|-----|------|-------------|-------------|-------------|
| 20 | 15 | 10 | 148 | 25 | 66 | 24 | 41 | 129 | 97 | 90 | 1" | 1/4" | 100 | 744 | DKUICNC020E | DKUICNC020F | DKUICNC020P |
| 25 | 20 | 10 | 151 | 30 | 69 | 24 | 50 | 154 | 97 | 108 | 1 1/4" | 1/4" | 116 | 811 | DKUICNC025E | DKUICNC025F | DKUICNC025P |
| 32 | 25 | 10 | 159 | 33 | 78 | 24 | 58 | 168 | 97 | 116 | 1 1/2" | 1/4" | 124 | 1047 | DKUICNC032E | DKUICNC032F | DKUICNC032P |
| 40 | 32 | 10 | 163 | 30 | 82 | 24 | 72 | 192 | 97 | 134 | 2" | 1/4" | 140 | 1180 | DKUICNC040E | DKUICNC040F | DKUICNC040P |
| 50 | 40 | 10 | 207 | 35 | 112 | 24 | 79 | 222 | 126 | 154 | 2 1/4" | 1/4" | 160 | 2968 | DKUICNC050E | DKUICNC050F | DKUICNC050P |
| 63 | 50 | 10 | 245 | 46 | 142 | 24 | 98 | 266 | 157 | 184 | 2 3/4" | 1/4" | 190 | 6388 | DKUICNC063E | DKUICNC063F | DKUICNC063P |

DIMENSIONS

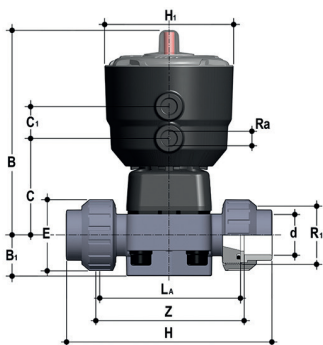
DK/CP DN 15÷65 PVC-C



DKUIC/CP NO

Pneumatically actuated diaphragm valve with female union ends for solvent welding, metric series Normally Open function

| d | DN | PN | B | B ₁ | C | C ₁ | E | H | H ₁ | L ₁ | R ₁ | R ₂ | Z | g | EPDM Code | FKM Code | PTFE Code |
|----|----|----|-----|----------------|-----|----------------|----|-----|----------------|----------------|----------------|----------------|-----|------|-------------|-------------|-------------|
| 20 | 15 | 10 | 148 | 25 | 66 | 24 | 41 | 129 | 97 | 90 | 1" | 1/4" | 100 | 744 | DKUICNO020E | DKUICNO020F | DKUICNO020P |
| 25 | 20 | 10 | 151 | 30 | 69 | 24 | 50 | 154 | 97 | 108 | 1 1/4" | 1/4" | 116 | 811 | DKUICNO025E | DKUICNO025F | DKUICNO025P |
| 32 | 25 | 10 | 159 | 33 | 78 | 24 | 58 | 168 | 97 | 116 | 1 1/2" | 1/4" | 124 | 1047 | DKUICNO032E | DKUICNO032F | DKUICNO032P |
| 40 | 32 | 10 | 163 | 30 | 82 | 24 | 72 | 192 | 97 | 134 | 2" | 1/4" | 140 | 1180 | DKUICNO040E | DKUICNO040F | DKUICNO040P |
| 50 | 40 | 10 | 207 | 35 | 112 | 24 | 79 | 222 | 126 | 154 | 2 1/4" | 1/4" | 160 | 2508 | DKUICNO050E | DKUICNO050F | DKUICNO050P |
| 63 | 50 | 10 | 245 | 46 | 142 | 24 | 98 | 266 | 157 | 184 | 2 3/4" | 1/4" | 190 | 4606 | DKUICNO063E | DKUICNO063F | DKUICNO063P |



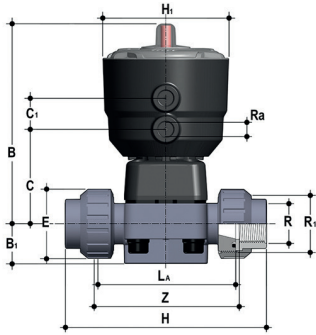
DKUIC/CP DA

Pneumatically actuated diaphragm valve with female union ends, metric series. Double-Acting function

| d | DN | PN | B | B ₁ | C | C ₁ | E | H | H ₁ | L ₁ | R ₁ | R ₂ | Z | g | EPDM Code | FKM Code | PTFE Code |
|----|----|----|-----|----------------|-----|----------------|----|-----|----------------|----------------|----------------|----------------|-----|------|-------------|-------------|-------------|
| 20 | 15 | 10 | 148 | 25 | 66 | 24 | 41 | 129 | 97 | 90 | 1" | 1/4" | 100 | 624 | DKUICDA020E | DKUICDA020F | DKUICDA020P |
| 25 | 20 | 10 | 151 | 30 | 69 | 24 | 50 | 154 | 97 | 108 | 1 1/4" | 1/4" | 116 | 691 | DKUICDA025E | DKUICDA025F | DKUICDA025P |
| 32 | 25 | 10 | 159 | 33 | 78 | 24 | 58 | 168 | 97 | 116 | 1 1/2" | 1/4" | 124 | 927 | DKUICDA032E | DKUICDA032F | DKUICDA032P |
| 40 | 32 | 10 | 163 | 30 | 82 | 24 | 72 | 192 | 97 | 134 | 2" | 1/4" | 140 | 1060 | DKUICDA040E | DKUICDA040F | DKUICDA040P |
| 50 | 40 | 10 | 207 | 35 | 112 | 24 | 79 | 222 | 126 | 154 | 2 1/4" | 1/4" | 160 | 2266 | DKUICDA050E | DKUICDA050F | DKUICDA050P |
| 63 | 50 | 10 | 245 | 46 | 142 | 24 | 98 | 266 | 157 | 184 | 2 3/4" | 1/4" | 190 | 4168 | DKUICDA063E | DKUICDA063F | DKUICDA063P |

DIMENSIONS

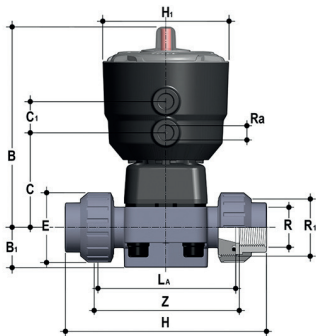
DK/CP DN 15÷65 PVC-C



DKUFC/CP NC

Pneumatically actuated diaphragm valve with BSP threaded female union ends. Normally Closed function

| R | DN | PN | B | B ₁ | C | C ₁ | E | H | H ₁ | L ₀ | R ₁ | R ₂ | Z | g | EPDM Code | FKM Code | PTFE Code |
|--------|----|----|-----|----------------|-----|----------------|----|-----|----------------|----------------|----------------|----------------|-----|------|-------------|-------------|-------------|
| 1/2" | 15 | 10 | 148 | 25 | 66 | 24 | 41 | 131 | 97 | 90 | 1" | 1/4" | 97 | 744 | DKUFCNC012E | DKUFCNC012F | DKUFCNC012P |
| 3/4" | 20 | 10 | 151 | 30 | 69 | 24 | 50 | 151 | 97 | 108 | 1 1/4" | 1/4" | 118 | 811 | DKUFCNC034E | DKUFCNC034F | DKUFCNC034P |
| 1" | 25 | 10 | 159 | 33 | 78 | 24 | 58 | 165 | 97 | 116 | 1 1/2" | 1/4" | 127 | 1047 | DKUFCNC100E | DKUFCNC100F | DKUFCNC100P |
| 1 1/4" | 32 | 10 | 163 | 30 | 82 | 24 | 72 | 188 | 97 | 134 | 2" | 1/4" | 145 | 1180 | DKUFCNC114E | DKUFCNC114F | DKUFCNC114P |
| 1 1/2" | 40 | 10 | 207 | 35 | 112 | 24 | 79 | 208 | 126 | 154 | 2 1/2" | 1/4" | 165 | 2968 | DKUFCNC112E | DKUFCNC112F | DKUFCNC112P |
| 2" | 50 | 10 | 245 | 46 | 142 | 24 | 98 | 246 | 157 | 184 | 2 3/4" | 1/4" | 195 | 6388 | DKUFCNC200E | DKUFCNC200F | DKUFCNC200P |



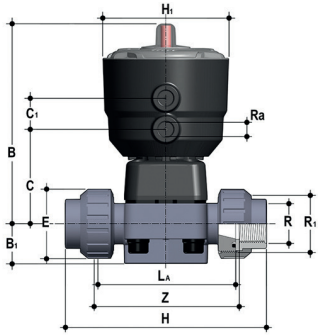
DKUFC/CP NO

Pneumatically actuated diaphragm valve with BSP threaded female union ends. Normally Open function

| R | DN | PN | B | B ₁ | C | C ₁ | E | H | H ₁ | L ₀ | R ₁ | R ₂ | Z | g | EPDM Code | FKM Code | PTFE Code |
|--------|----|----|-----|----------------|-----|----------------|----|-----|----------------|----------------|----------------|----------------|-----|------|-------------|-------------|-------------|
| 1/2" | 15 | 10 | 148 | 25 | 66 | 24 | 41 | 131 | 97 | 90 | 1" | 1/4" | 97 | 744 | DKUFCNO012E | DKUFCNO012F | DKUFCNO012P |
| 3/4" | 20 | 10 | 151 | 30 | 69 | 24 | 50 | 151 | 97 | 108 | 1 1/4" | 1/4" | 118 | 811 | DKUFCNO034E | DKUFCNO034F | DKUFCNO034P |
| 1" | 25 | 10 | 159 | 33 | 78 | 24 | 58 | 165 | 97 | 116 | 1 1/2" | 1/4" | 127 | 1047 | DKUFCNO100E | DKUFCNO100F | DKUFCNO100P |
| 1 1/4" | 32 | 10 | 163 | 30 | 82 | 24 | 72 | 188 | 97 | 134 | 2" | 1/4" | 145 | 1180 | DKUFCNO114E | DKUFCNO114F | DKUFCNO114P |
| 1 1/2" | 40 | 10 | 207 | 35 | 112 | 24 | 79 | 208 | 126 | 154 | 2 1/2" | 1/4" | 165 | 2508 | DKUFCNO112E | DKUFCNO112F | DKUFCNO112P |
| 2" | 50 | 10 | 245 | 46 | 142 | 24 | 98 | 246 | 157 | 184 | 2 3/4" | 1/4" | 195 | 4606 | DKUFCNO200E | DKUFCNO200F | DKUFCNO200P |

DIMENSIONS

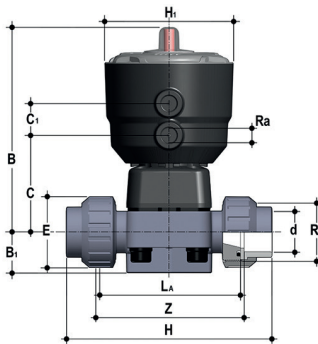
DK/CP DN 15÷65 PVC-C



DKUFC/CP DA

Pneumatically actuated diaphragm valve with BSP threaded female union ends. Double-Acting function

| R | DN | PN | B | B ₁ | C | C ₁ | E | H | H ₁ | L ₁ | R ₁ | R ₂ | Z | g | EPDM Code | FKM Code | PTFE Code |
|--------|----|----|-----|----------------|-----|----------------|----|-----|----------------|----------------|----------------|----------------|-----|------|-------------|-------------|-------------|
| 1/2" | 15 | 10 | 148 | 25 | 66 | 24 | 41 | 131 | 97 | 90 | 1" | 1/4" | 97 | 624 | DKUFCDA012E | DKUFCDA012F | DKUFCDA012P |
| 3/4" | 20 | 10 | 151 | 30 | 69 | 24 | 50 | 151 | 97 | 108 | 1 1/4" | 1/4" | 118 | 691 | DKUFCDA034E | DKUFCDA034F | DKUFCDA034P |
| 1" | 25 | 10 | 159 | 33 | 78 | 24 | 58 | 165 | 97 | 116 | 1 1/2" | 1/4" | 127 | 927 | DKUFCDA100E | DKUFCDA100F | DKUFCDA100P |
| 1 1/4" | 32 | 10 | 163 | 30 | 82 | 24 | 72 | 188 | 97 | 134 | 2" | 1/4" | 145 | 1060 | DKUFCDA114E | DKUFCDA114F | DKUFCDA114P |
| 1 1/2" | 40 | 10 | 207 | 35 | 112 | 24 | 79 | 208 | 126 | 154 | 2 1/2" | 1/4" | 165 | 2266 | DKUFCDA112E | DKUFCDA112F | DKUFCDA112P |
| 2" | 50 | 10 | 245 | 46 | 142 | 24 | 98 | 246 | 157 | 184 | 2 3/4" | 1/4" | 195 | 4168 | DKUFCDA200E | DKUFCDA200F | DKUFCDA200P |



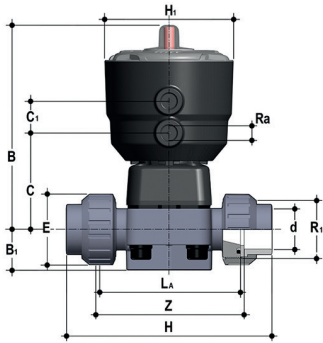
DKUAC/CP NC

Pneumatically actuated diaphragm valve with female union ends for solvent welding, ASTM series Normally Closed function

| R | DN | PN | B | B ₁ | C | C ₁ | E | H | H ₁ | L ₁ | R ₁ | R ₂ | Z | g | EPDM Code | FKM Code | PTFE Code |
|--------|----|----|-----|----------------|-----|----------------|----|-----|----------------|----------------|----------------|----------------|-----|------|-------------|-------------|-------------|
| 1/2" | 15 | 10 | 148 | 25 | 66 | 24 | 41 | 143 | 97 | 90 | 1" | 1/4" | 98 | 744 | DKUACNC012E | DKUACNC012F | DKUACNC012P |
| 3/4" | 20 | 10 | 151 | 30 | 69 | 24 | 50 | 167 | 97 | 108 | 1 1/4" | 1/4" | 115 | 811 | DKUACNC034E | DKUACNC034F | DKUACNC034P |
| 1" | 25 | 10 | 159 | 33 | 78 | 24 | 58 | 180 | 97 | 116 | 1 1/2" | 1/4" | 122 | 1047 | DKUACNC100E | DKUACNC100F | DKUACNC100P |
| 1 1/4" | 32 | 10 | 163 | 30 | 82 | 24 | 72 | 208 | 97 | 134 | 2" | 1/4" | 144 | 1180 | DKUACNC114E | DKUACNC114F | DKUACNC114P |
| 1 1/2" | 40 | 10 | 207 | 35 | 112 | 24 | 79 | 234 | 126 | 154 | 2 1/2" | 1/4" | 164 | 2968 | DKUACNC112E | DKUACNC112F | DKUACNC112P |
| 2" | 50 | 10 | 245 | 46 | 142 | 24 | 98 | 272 | 157 | 184 | 2 3/4" | 1/4" | 195 | 6388 | DKUACNC200E | DKUACNC200F | DKUACNC200P |

DIMENSIONS

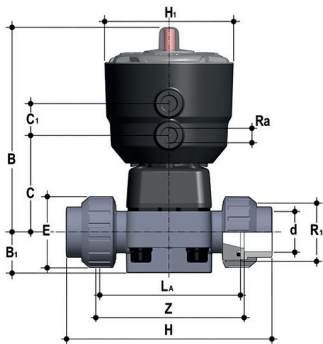
DK/CP DN 15÷65 PVC-C



DKUAC/CP NO

Pneumatically actuated diaphragm valve with female union ends for solvent welding, ASTM series Normally Open function

| R | DN | PN | B | B ₁ | C | C ₁ | E | H | H ₁ | L ₁ | R ₁ | R ₂ | Z | g | EPDM Code | FKM Code | PTFE Code |
|--------|----|----|-----|----------------|-----|----------------|----|-----|----------------|----------------|----------------|----------------|-----|------|-------------|-------------|-------------|
| 1/2" | 15 | 10 | 148 | 25 | 66 | 24 | 41 | 143 | 97 | 90 | 1" | 1/4" | 98 | 744 | DKUACNO012E | DKUACNO012F | DKUACNO012P |
| 3/4" | 20 | 10 | 151 | 30 | 69 | 24 | 50 | 167 | 97 | 108 | 1 1/4" | 1/4" | 115 | 811 | DKUACNO034E | DKUACNO034F | DKUACNO034P |
| 1" | 25 | 10 | 159 | 33 | 78 | 24 | 58 | 180 | 97 | 116 | 1 1/2" | 1/4" | 122 | 1047 | DKUACNO100E | DKUACNO100F | DKUACNO100P |
| 1 1/4" | 32 | 10 | 163 | 30 | 82 | 24 | 72 | 208 | 97 | 134 | 2" | 1/4" | 144 | 1180 | DKUACNO114E | DKUACNO114F | DKUACNO114P |
| 1 1/2" | 40 | 10 | 207 | 35 | 112 | 24 | 79 | 234 | 126 | 154 | 2 1/2" | 1/4" | 164 | 2508 | DKUACNO112E | DKUACNO112F | DKUACNO112P |
| 2" | 50 | 10 | 245 | 46 | 142 | 24 | 98 | 272 | 157 | 184 | 2 3/4" | 1/4" | 195 | 4606 | DKUACNO200E | DKUACNO200F | DKUACNO200P |



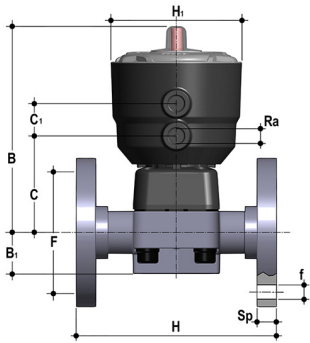
DKUAC/CP DA

Pneumatically actuated diaphragm valve with female union ends for solvent welding, ASTM series Double-Acting function

| R | DN | PN | B | B ₁ | C | C ₁ | E | H | H ₁ | L ₁ | R ₁ | R ₂ | Z | g | EPDM Code | FKM Code | PTFE Code |
|--------|----|----|-----|----------------|-----|----------------|----|-----|----------------|----------------|----------------|----------------|-----|------|-------------|-------------|-------------|
| 1/2" | 15 | 10 | 148 | 25 | 66 | 24 | 41 | 143 | 97 | 90 | 1" | 1/4" | 98 | 624 | DKUACDA012E | DKUACDA012F | DKUACDA012P |
| 3/4" | 20 | 10 | 151 | 30 | 69 | 24 | 50 | 167 | 97 | 108 | 1 1/4" | 1/4" | 115 | 691 | DKUACDA034E | DKUACDA034F | DKUACDA034P |
| 1" | 25 | 10 | 159 | 33 | 78 | 24 | 58 | 180 | 97 | 116 | 1 1/2" | 1/4" | 122 | 927 | DKUACDA100E | DKUACDA100F | DKUACDA100P |
| 1 1/4" | 32 | 10 | 163 | 30 | 82 | 24 | 72 | 208 | 97 | 134 | 2" | 1/4" | 144 | 1060 | DKUACDA114E | DKUACDA114F | DKUACDA114P |
| 1 1/2" | 40 | 10 | 207 | 35 | 112 | 24 | 79 | 234 | 126 | 154 | 2 1/2" | 1/4" | 164 | 2266 | DKUACDA112E | DKUACDA112F | DKUACDA112P |
| 2" | 50 | 10 | 245 | 46 | 142 | 24 | 98 | 272 | 157 | 184 | 2 3/4" | 1/4" | 195 | 4168 | DKUACDA200E | DKUACDA200F | DKUACDA200P |

DIMENSIONS

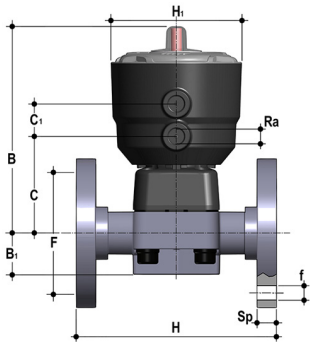
DK/CP DN 15÷65 PVC-C



DKOC/CP NC

Pneumatically actuated diaphragm valve with monolithic flanged body, drilled PN10/16. Face to face according to EN 558-1. Normally Closed function

| d | DN | PN | B | B ₁ | C | C ₁ | F | Øf | H | H ₁ | R ₂ | U | Sp | g | EPDM Code | FKM Code | PTFE Code |
|----|----|----|-----|----------------|-----|----------------|-----|----|-----|----------------|----------------|---|------|------|------------|------------|------------|
| 20 | 15 | 10 | 148 | 25 | 66 | 24 | 65 | 14 | 130 | 97 | 1/4" | 4 | 13.5 | 962 | DKOCNC020E | DKOCNC020F | DKOCNC020P |
| 25 | 20 | 10 | 151 | 30 | 69 | 24 | 75 | 14 | 150 | 97 | 1/4" | 4 | 13.5 | 1053 | DKOCNC025E | DKOCNC025F | DKOCNC025P |
| 32 | 25 | 10 | 159 | 33 | 78 | 24 | 85 | 14 | 160 | 97 | 1/4" | 4 | 13.5 | 1339 | DKOCNC032E | DKOCNC032F | DKOCNC032P |
| 40 | 32 | 10 | 163 | 30 | 82 | 24 | 100 | 18 | 180 | 97 | 1/4" | 4 | 14 | 1553 | DKOCNC040E | DKOCNC040F | DKOCNC040P |
| 50 | 40 | 10 | 207 | 35 | 112 | 24 | 110 | 18 | 200 | 126 | 1/4" | 4 | 16 | 3471 | DKOCNC050E | DKOCNC050F | DKOCNC050P |
| 63 | 50 | 10 | 245 | 46 | 142 | 24 | 125 | 18 | 230 | 157 | 1/4" | 4 | 16 | 6862 | DKOCNC063E | DKOCNC063F | DKOCNC063P |
| 75 | 65 | 10 | 245 | 46 | 142 | 24 | 145 | 18 | 290 | 157 | 1/4" | 4 | 21 | 7535 | DKOCNC075E | DKOCNC075F | DKOCNC075P |



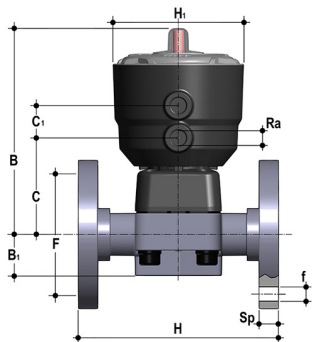
DKOC/CP NO

Pneumatically actuated diaphragm valve with monolithic flanged body, drilled PN10/16. Face to face according to EN 558-1. Normally Open function

| d | DN | PN | B | B ₁ | C | C ₁ | F | Øf | H | H ₁ | R ₂ | U | Sp | g | EPDM Code | FKM Code | PTFE Code |
|----|----|----|-----|----------------|-----|----------------|-----|----|-----|----------------|----------------|---|------|------|------------|------------|------------|
| 20 | 15 | 10 | 148 | 25 | 66 | 24 | 65 | 14 | 130 | 97 | 1/4" | 4 | 13.5 | 962 | DKOCNO020E | DKOCNO020F | DKOCNO020P |
| 25 | 20 | 10 | 151 | 30 | 69 | 24 | 75 | 14 | 150 | 97 | 1/4" | 4 | 13.5 | 1053 | DKOCNO025E | DKOCNO025F | DKOCNO025P |
| 32 | 25 | 10 | 159 | 33 | 78 | 24 | 85 | 14 | 160 | 97 | 1/4" | 4 | 13.5 | 1339 | DKOCNO032E | DKOCNO032F | DKOCNO032P |
| 40 | 32 | 10 | 163 | 30 | 82 | 24 | 100 | 18 | 180 | 97 | 1/4" | 4 | 14 | 1553 | DKOCNO040E | DKOCNO040F | DKOCNO040P |
| 50 | 40 | 10 | 207 | 35 | 112 | 24 | 110 | 18 | 200 | 126 | 1/4" | 4 | 16 | 3011 | DKOCNO050E | DKOCNO050F | DKOCNO050P |
| 63 | 50 | 10 | 245 | 46 | 142 | 24 | 125 | 18 | 230 | 157 | 1/4" | 4 | 16 | 5080 | DKOCNO063E | DKOCNO063F | DKOCNO063P |
| 75 | 65 | 10 | 245 | 46 | 142 | 24 | 145 | 18 | 290 | 157 | 1/4" | 4 | 21 | 5753 | DKOCNO075E | DKOCNO075F | DKOCNO075P |

DIMENSIONS

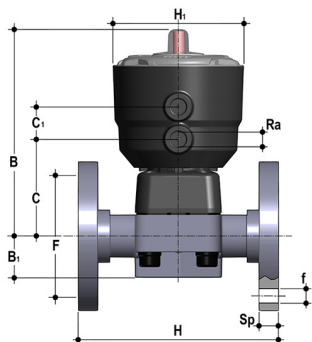
DK/CP DN 15÷65 PVC-C



DKOC/CP DA

Pneumatically actuated diaphragm valve with monolithic flanged body, drilled PN10/16. Face to face according to EN 558-1. Double-Acting function

| d | DN | PN | B | B ₁ | C | C ₁ | F | Øf | H | H ₁ | R _a | U | Sp | g | EPDM Code | FKM Code | PTFE Code |
|----|----|----|-----|----------------|-----|----------------|-----|----|-----|----------------|----------------|---|------|------|------------|------------|------------|
| 20 | 15 | 10 | 148 | 25 | 66 | 24 | 65 | 14 | 130 | 97 | 1/4" | 4 | 13.5 | 842 | DKOCDA020E | DKOCDA020F | DKOCDA020P |
| 25 | 20 | 10 | 151 | 30 | 69 | 24 | 75 | 14 | 150 | 97 | 1/4" | 4 | 13.5 | 923 | DKOCDA025E | DKOCDA025F | DKOCDA025P |
| 32 | 25 | 10 | 159 | 33 | 78 | 24 | 85 | 14 | 160 | 97 | 1/4" | 4 | 13.5 | 1219 | DKOCDA032E | DKOCDA032F | DKOCDA032P |
| 40 | 32 | 10 | 163 | 30 | 82 | 24 | 100 | 18 | 180 | 97 | 1/4" | 4 | 14 | 1443 | DKOCDA040E | DKOCDA040F | DKOCDA040P |
| 50 | 40 | 10 | 207 | 35 | 112 | 24 | 110 | 18 | 200 | 126 | 1/4" | 4 | 16 | 2769 | DKOCDA050E | DKOCDA050F | DKOCDA050P |
| 63 | 50 | 10 | 245 | 46 | 142 | 24 | 125 | 18 | 230 | 157 | 1/4" | 4 | 16 | 4642 | DKOCDA063E | DKOCDA063F | DKOCDA063P |
| 75 | 65 | 10 | 245 | 46 | 142 | 24 | 145 | 18 | 290 | 157 | 1/4" | 4 | 21 | 5315 | DKOCDA075E | DKOCDA075F | DKOCDA075P |



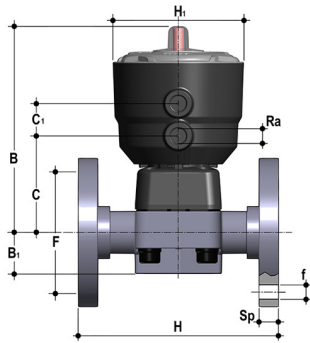
DKOAC/CP NC

Pneumatically actuated diaphragm valve with monolithic flanged body, drilled ANSI B16.5 cl. 150 #FF. Normally Closed function

| d | DN | PN | B | B ₁ | C | C ₁ | F | Øf | H | H ₁ | R _a | U | Sp | g | EPDM Code | FKM Code | PTFE Code |
|--------|----|----|-----|----------------|-----|----------------|--------|------|-----|----------------|----------------|---|------|------|-------------|-------------|-------------|
| 1/2" | 15 | 10 | 148 | 25 | 66 | 24 | 60.30 | 14 | 108 | 97 | 1/4" | 4 | 13.5 | 962 | DKOACNC012E | DKOACNC012F | DKOACNC012P |
| 3/4" | 20 | 10 | 151 | 30 | 69 | 24 | 69.90 | 15.7 | 120 | 97 | 1/4" | 4 | 13.5 | 1053 | DKOACNC034E | DKOACNC034F | DKOACNC034P |
| 1" | 25 | 10 | 159 | 33 | 78 | 24 | 79.40 | 15.7 | 131 | 97 | 1/4" | 4 | 13.5 | 1339 | DKOACNC100E | DKOACNC100F | DKOACNC100P |
| 1" 1/4 | 32 | 10 | 163 | 30 | 82 | 24 | 88.90 | 15.7 | 162 | 97 | 1/4" | 4 | 14 | 1553 | DKOACNC114E | DKOACNC114F | DKOACNC114P |
| 1" 1/2 | 40 | 10 | 207 | 35 | 112 | 24 | 98.40 | 15.7 | 180 | 126 | 1/4" | 4 | 16 | 3471 | DKOACNC112E | DKOACNC112F | DKOACNC112P |
| 2" | 50 | 10 | 245 | 46 | 142 | 24 | 120.70 | 19 | 210 | 157 | 1/4" | 4 | 16 | 6862 | DKOACNC200E | DKOACNC200F | DKOACNC200P |
| 2" 1/2 | 65 | 10 | 245 | 46 | 142 | 24 | 139.70 | 19 | 250 | 157 | 1/4" | 4 | 21 | 7535 | DKOACNC212E | DKOACNC212F | DKOACNC212P |

DIMENSIONS

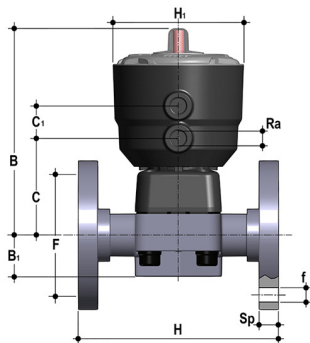
DK/CP DN 15÷65 PVC-C



DKOAC/CP NO

Pneumatically actuated diaphragm valve with monolithic flanged body, drilled ANSI B16.5 cl. 150 #FF. Normally Open function

| d | DN | PN | B | B ₁ | C | C ₁ | F | Øf | H | H ₁ | R ₀ | U | Sp | g | EPDM Code | FKM Code | PTFE Code |
|--------|----|----|-----|----------------|-----|----------------|--------|------|-----|----------------|----------------|---|------|------|-------------|-------------|-------------|
| 1/2" | 15 | 10 | 148 | 25 | 66 | 24 | 60.30 | 14 | 108 | 97 | 1/4" | 4 | 13.5 | 962 | DKOACNO012E | DKOACNO012F | DKOACNO012P |
| 3/4" | 20 | 10 | 151 | 30 | 69 | 24 | 69.90 | 15.7 | 120 | 97 | 1/4" | 4 | 13.5 | 1053 | DKOACNO034E | DKOACNO034F | DKOACNO034P |
| 1" | 25 | 10 | 159 | 33 | 78 | 24 | 79.40 | 15.7 | 131 | 97 | 1/4" | 4 | 13.5 | 1339 | DKOACNO100E | DKOACNO100F | DKOACNO100P |
| 1" 1/4 | 32 | 10 | 163 | 30 | 82 | 24 | 88.90 | 15.7 | 162 | 97 | 1/4" | 4 | 14 | 1553 | DKOACNO114E | DKOACNO114F | DKOACNO114P |
| 1" 1/2 | 40 | 10 | 207 | 35 | 112 | 24 | 98.40 | 15.7 | 180 | 126 | 1/4" | 4 | 16 | 3011 | DKOACNO112E | DKOACNO112F | DKOACNO112P |
| 2" | 50 | 10 | 245 | 46 | 142 | 24 | 120.70 | 19 | 210 | 157 | 1/4" | 4 | 16 | 5080 | DKOACNO200E | DKOACNO200F | DKOACNO200P |
| 2" 1/2 | 65 | 10 | 245 | 46 | 142 | 24 | 139.70 | 19 | 250 | 157 | 1/4" | 4 | 21 | 5753 | DKOACNO212E | DKOACNO212F | DKOACNO212P |



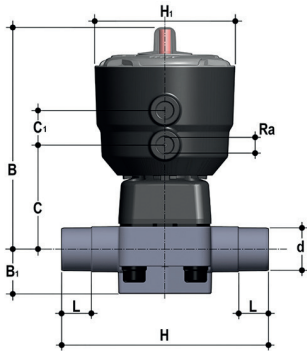
DKOAC/CP DA

Pneumatically actuated diaphragm valve with monolithic flanged body, drilled ANSI B16.5 cl. 150 #FF. Double-Acting function

| d | DN | PN | B | B ₁ | C | C ₁ | F | Øf | H | H ₁ | R ₀ | U | Sp | g | EPDM Code | FKM Code | PTFE Code |
|--------|----|----|-----|----------------|-----|----------------|--------|------|-----|----------------|----------------|---|------|------|-------------|-------------|-------------|
| 1/2" | 15 | 10 | 148 | 25 | 66 | 24 | 60.30 | 14 | 108 | 97 | 1/4" | 4 | 13.5 | 842 | DKOACDA012E | DKOACDA012F | DKOACDA012P |
| 3/4" | 20 | 10 | 151 | 30 | 69 | 24 | 69.90 | 15.7 | 120 | 97 | 1/4" | 4 | 13.5 | 923 | DKOACDA034E | DKOACDA034F | DKOACDA034P |
| 1" | 25 | 10 | 159 | 33 | 78 | 24 | 79.40 | 15.7 | 131 | 97 | 1/4" | 4 | 13.5 | 1219 | DKOACDA100E | DKOACDA100F | DKOACDA100P |
| 1" 1/4 | 32 | 10 | 163 | 30 | 82 | 24 | 88.90 | 15.7 | 162 | 97 | 1/4" | 4 | 14 | 1443 | DKOACDA114E | DKOACDA114F | DKOACDA114P |
| 1" 1/2 | 40 | 10 | 207 | 35 | 112 | 24 | 98.40 | 15.7 | 180 | 126 | 1/4" | 4 | 16 | 2769 | DKOACDA112E | DKOACDA112F | DKOACDA112P |
| 2" | 50 | 10 | 245 | 46 | 142 | 24 | 120.70 | 19 | 210 | 157 | 1/4" | 4 | 16 | 4642 | DKOACDA200E | DKOACDA200F | DKOACDA200P |
| 2" 1/2 | 65 | 10 | 245 | 46 | 142 | 24 | 139.70 | 19 | 250 | 157 | 1/4" | 4 | 21 | 5315 | DKOACDA212E | DKOACDA212F | DKOACDA212P |

DIMENSIONS

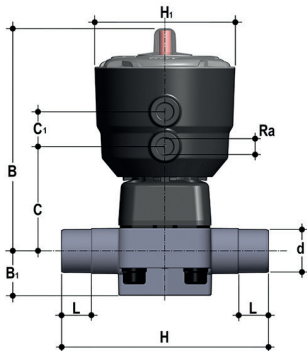
DK/CP DN 15÷65 PP-H



DKDM/CP NC

Pneumatically actuated diaphragm valve with male ends for socket fusion, metric series.
Normally Closed function

| d | DN | PN | B | B ₁ | C | C ₁ | H | H ₁ | L | R ₂ | g | EPDM Code | FKM Code | PTFE Code |
|----|----|----|-----|----------------|-----|----------------|-----|----------------|----|----------------|------|------------|------------|------------|
| 20 | 15 | 10 | 148 | 25 | 66 | 24 | 124 | 97 | 16 | 1/4" | 665 | DKDMNC020E | DKDMNC020F | DKDMNC020P |
| 25 | 20 | 10 | 151 | 30 | 69 | 24 | 144 | 97 | 19 | 1/4" | 680 | DKDMNC025E | DKDMNC025F | DKDMNC025P |
| 32 | 25 | 10 | 159 | 33 | 78 | 24 | 154 | 97 | 22 | 1/4" | 855 | DKDMNC032E | DKDMNC032F | DKDMNC032P |
| 40 | 32 | 10 | 163 | 30 | 82 | 24 | 174 | 97 | 26 | 1/4" | 885 | DKDMNC040E | DKDMNC040F | DKDMNC040P |
| 50 | 40 | 10 | 207 | 35 | 112 | 24 | 194 | 126 | 31 | 1/4" | 2542 | DKDMNC050E | DKDMNC050F | DKDMNC050P |
| 63 | 50 | 10 | 245 | 46 | 142 | 24 | 224 | 157 | 38 | 1/4" | 5800 | DKDMNC063E | DKDMNC063F | DKDMNC063P |
| 75 | 65 | 10 | 245 | 46 | 142 | 24 | 284 | 157 | 44 | 1/4" | 5950 | DKDMNC075E | DKDMNC075F | DKDMNC075P |



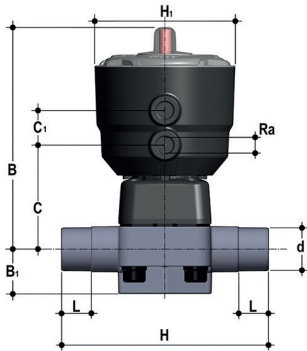
DKDM/CP NO

Pneumatically actuated diaphragm valve with male ends for socket fusion, metric series.
Normally Open function

| d | DN | PN | B | B ₁ | C | C ₁ | H | H ₁ | L | R ₂ | g | EPDM Code | FKM Code | PTFE Code |
|----|----|----|-----|----------------|-----|----------------|-----|----------------|----|----------------|------|------------|------------|------------|
| 20 | 15 | 10 | 148 | 25 | 66 | 24 | 124 | 97 | 16 | 1/4" | 665 | DKDMNO020E | DKDMNO020F | DKDMNO020P |
| 25 | 20 | 10 | 151 | 30 | 69 | 24 | 144 | 97 | 19 | 1/4" | 680 | DKDMNO025E | DKDMNO025F | DKDMNO025P |
| 32 | 25 | 10 | 159 | 33 | 78 | 24 | 154 | 97 | 22 | 1/4" | 855 | DKDMNO032E | DKDMNO032F | DKDMNO032P |
| 40 | 32 | 10 | 163 | 30 | 82 | 24 | 174 | 97 | 26 | 1/4" | 885 | DKDMNO040E | DKDMNO040F | DKDMNO040P |
| 50 | 40 | 10 | 207 | 35 | 112 | 24 | 194 | 126 | 31 | 1/4" | 2082 | DKDMNO050E | DKDMNO050F | DKDMNO050P |
| 63 | 50 | 10 | 245 | 46 | 142 | 24 | 224 | 157 | 38 | 1/4" | 4018 | DKDMNO063E | DKDMNO063F | DKDMNO063P |
| 75 | 65 | 10 | 245 | 46 | 142 | 24 | 284 | 157 | 44 | 1/4" | 4168 | DKDMNO075E | DKDMNO075F | DKDMNO075P |

DIMENSIONS

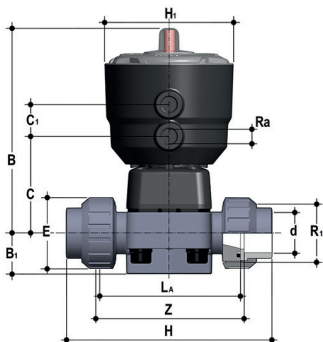
DK/CP DN 15÷65 PP-H



DKDM/CP DA

Pneumatically actuated diaphragm valve with male ends for socket fusion, metric series.
Double-Acting function

| d | DN | PN | B | B ₁ | C | C ₁ | H | H ₁ | L | R ₂ | g | EPDM Code | FKM Code | PTFE Code |
|----|----|----|-----|----------------|-----|----------------|-----|----------------|----|----------------|------|-----------|-----------|-----------|
| 20 | 15 | 10 | 148 | 25 | 66 | 24 | 124 | 97 | 16 | 1/4" | 545 | DKDMA020E | DKDMA020F | DKDMA020P |
| 25 | 20 | 10 | 151 | 30 | 69 | 24 | 144 | 97 | 19 | 1/4" | 560 | DKDMA025E | DKDMA025F | DKDMA025P |
| 32 | 25 | 10 | 159 | 33 | 78 | 24 | 154 | 97 | 22 | 1/4" | 735 | DKDMA032E | DKDMA032F | DKDMA032P |
| 40 | 32 | 10 | 163 | 30 | 82 | 24 | 174 | 97 | 26 | 1/4" | 765 | DKDMA040E | DKDMA040F | DKDMA040P |
| 50 | 40 | 10 | 207 | 35 | 112 | 24 | 194 | 126 | 31 | 1/4" | 1840 | DKDMA050E | DKDMA050F | DKDMA050P |
| 63 | 50 | 10 | 245 | 46 | 142 | 24 | 224 | 157 | 38 | 1/4" | 3580 | DKDMA063E | DKDMA063F | DKDMA063P |
| 75 | 65 | 10 | 245 | 46 | 142 | 24 | 284 | 157 | 44 | 1/4" | 3730 | DKDMA075E | DKDMA075F | DKDMA075P |



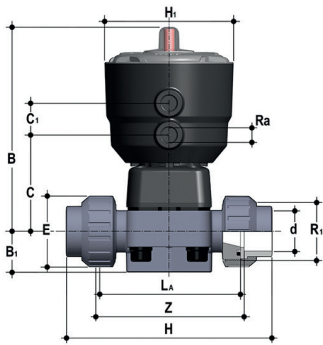
DKUIM/CP NC

Pneumatically actuated diaphragm valve with female union ends for socket fusion, metric series.
Normally Closed function

| d | DN | PN | B | B ₁ | C | C ₁ | E | H | H ₁ | L ₂ | R ₁ | R ₂ | Z | g | EPDM Code | FKM Code | PTFE Code |
|----|----|----|-----|----------------|-----|----------------|----|-----|----------------|----------------|----------------|----------------|-----|------|-------------|-------------|-------------|
| 20 | 15 | 10 | 148 | 25 | 66 | 24 | 41 | 129 | 97 | 90 | 1" | 1/4" | 100 | 689 | DKUIMNC020E | DKUIMNC020F | DKUIMNC020P |
| 25 | 20 | 10 | 151 | 30 | 69 | 24 | 50 | 154 | 97 | 108 | 1 1/4" | 1/4" | 116 | 735 | DKUIMNC025E | DKUIMNC025F | DKUIMNC025P |
| 32 | 25 | 10 | 159 | 33 | 78 | 24 | 58 | 168 | 97 | 116 | 1 1/2" | 1/4" | 124 | 930 | DKUIMNC032E | DKUIMNC032F | DKUIMNC032P |
| 40 | 32 | 10 | 163 | 30 | 82 | 24 | 72 | 192 | 97 | 134 | 2" | 1/4" | 140 | 1016 | DKUIMNC040E | DKUIMNC040F | DKUIMNC040P |
| 50 | 40 | 10 | 207 | 35 | 112 | 24 | 79 | 222 | 126 | 154 | 2 1/4" | 1/4" | 160 | 2711 | DKUIMNC050E | DKUIMNC050F | DKUIMNC050P |
| 63 | 50 | 10 | 245 | 46 | 142 | 24 | 98 | 266 | 157 | 184 | 2 3/4" | 1/4" | 190 | 5929 | DKUIMNC063E | DKUIMNC063F | DKUIMNC063P |

DIMENSIONS

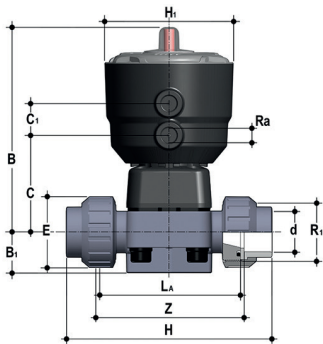
DK/CP DN 15÷65 PP-H



DKUIM/CP NO

Pneumatically actuated diaphragm valve with female union ends for socket fusion, metric series. Normally Open function

| d | DN | PN | B | B ₁ | C | C ₁ | E | H | H ₁ | L ₁ | R ₁ | R ₂ | Z | g | EPDM Code | FKM Code | PTFE Code |
|----|----|----|-----|----------------|-----|----------------|----|-----|----------------|----------------|----------------|----------------|-----|------|-------------|-------------|-------------|
| 20 | 15 | 10 | 148 | 25 | 66 | 24 | 41 | 129 | 97 | 90 | 1" | 1/4" | 100 | 689 | DKUIMNO020E | DKUIMNO020F | DKUIMNO020P |
| 25 | 20 | 10 | 151 | 30 | 69 | 24 | 50 | 154 | 97 | 108 | 1 1/4" | 1/4" | 116 | 735 | DKUIMNO025E | DKUIMNO025F | DKUIMNO025P |
| 32 | 25 | 10 | 159 | 33 | 78 | 24 | 58 | 168 | 97 | 116 | 1 1/2" | 1/4" | 124 | 930 | DKUIMNO032E | DKUIMNO032F | DKUIMNO032P |
| 40 | 32 | 10 | 163 | 30 | 82 | 24 | 72 | 192 | 97 | 134 | 2" | 1/4" | 140 | 1016 | DKUIMNO040E | DKUIMNO040F | DKUIMNO040P |
| 50 | 40 | 10 | 207 | 35 | 112 | 24 | 79 | 222 | 126 | 154 | 2 1/4" | 1/4" | 160 | 2251 | DKUIMNO050E | DKUIMNO050F | DKUIMNO050P |
| 63 | 50 | 10 | 245 | 46 | 142 | 24 | 98 | 266 | 157 | 184 | 2 3/4" | 1/4" | 190 | 4147 | DKUIMNO063E | DKUIMNO063F | DKUIMNO063P |



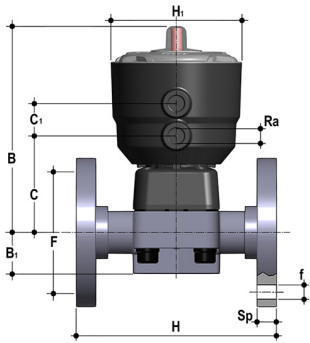
DKUIM/CP DA

Pneumatically actuated diaphragm valve with female union ends for socket fusion, metric series. Double-Acting function

| d | DN | PN | B | B ₁ | C | C ₁ | E | H | H ₁ | L ₁ | R ₁ | R ₂ | Z | g | EPDM Code | FKM Code | PTFE Code |
|----|----|----|-----|----------------|-----|----------------|----|-----|----------------|----------------|----------------|----------------|-----|------|-------------|-------------|-------------|
| 20 | 15 | 10 | 148 | 25 | 66 | 24 | 41 | 129 | 97 | 90 | 1" | 1/4" | 100 | 569 | DKUIMDA020E | DKUIMDA020F | DKUIMDA020P |
| 25 | 20 | 10 | 151 | 30 | 69 | 24 | 50 | 154 | 97 | 108 | 1 1/4" | 1/4" | 116 | 615 | DKUIMDA025E | DKUIMDA025F | DKUIMDA025P |
| 32 | 25 | 10 | 159 | 33 | 78 | 24 | 58 | 168 | 97 | 116 | 1 1/2" | 1/4" | 124 | 810 | DKUIMDA032E | DKUIMDA032F | DKUIMDA032P |
| 40 | 32 | 10 | 163 | 30 | 82 | 24 | 72 | 192 | 97 | 134 | 2" | 1/4" | 140 | 896 | DKUIMDA040E | DKUIMDA040F | DKUIMDA040P |
| 50 | 40 | 10 | 207 | 35 | 112 | 24 | 79 | 222 | 126 | 154 | 2 1/4" | 1/4" | 160 | 2009 | DKUIMDA050E | DKUIMDA050F | DKUIMDA050P |
| 63 | 50 | 10 | 245 | 46 | 142 | 24 | 98 | 266 | 157 | 184 | 2 3/4" | 1/4" | 190 | 3709 | DKUIMDA063E | DKUIMDA063F | DKUIMDA063P |

DIMENSIONS

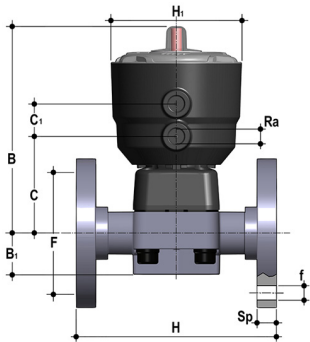
DK/CP DN 15÷65 PP-H



DKOM/CP NC

Pneumatically actuated diaphragm valve with monolithic flanged body, drilled PN10/16. Face to face according to EN 558-1. Normally Closed function

| d | DN | PN | B | B ₁ | C | C ₁ | F | Øf | H | H ₁ | R _a | U | Sp | g | EPDM Code | FKM Code | PTFE Code |
|----|----|----|-----|----------------|-----|----------------|-----|----|-----|----------------|----------------|---|------|------|------------|------------|------------|
| 20 | 15 | 10 | 148 | 25 | 66 | 24 | 65 | 14 | 130 | 97 | 1/4" | 4 | 13.5 | 817 | DKOMNC020E | DKOMNC020F | DKOMNC020P |
| 25 | 20 | 10 | 151 | 30 | 69 | 24 | 75 | 14 | 150 | 97 | 1/4" | 4 | 13.5 | 865 | DKOMNC025E | DKOMNC025F | DKOMNC025P |
| 32 | 25 | 10 | 159 | 33 | 78 | 24 | 85 | 14 | 160 | 97 | 1/4" | 4 | 13.5 | 1109 | DKOMNC032E | DKOMNC032F | DKOMNC032P |
| 40 | 32 | 10 | 163 | 30 | 82 | 24 | 100 | 18 | 180 | 97 | 1/4" | 4 | 14 | 1194 | DKOMNC040E | DKOMNC040F | DKOMNC040P |
| 50 | 40 | 10 | 207 | 35 | 112 | 24 | 110 | 18 | 200 | 126 | 1/4" | 4 | 16 | 2943 | DKOMNC050E | DKOMNC050F | DKOMNC050P |
| 63 | 50 | 10 | 245 | 46 | 142 | 24 | 125 | 18 | 230 | 157 | 1/4" | 4 | 16 | 6115 | DKOMNC063E | DKOMNC063F | DKOMNC063P |
| 75 | 65 | 10 | 245 | 46 | 142 | 24 | 145 | 18 | 290 | 157 | 1/4" | 4 | 21 | 6659 | DKOMNC075E | DKOMNC075F | DKOMNC075P |



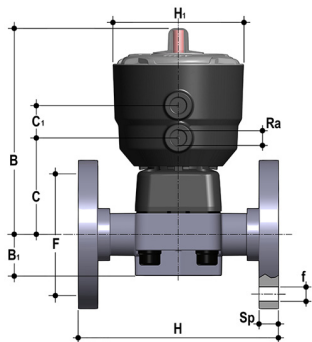
DKOM/CP NO

Pneumatically actuated diaphragm valve with monolithic flanged body, drilled PN10/16. Face to face according to EN 558-1. Normally Open function

| d | DN | PN | B | B ₁ | C | C ₁ | F | Øf | H | H ₁ | R _a | U | Sp | g | EPDM Code | FKM Code | PTFE Code |
|----|----|----|-----|----------------|-----|----------------|-----|----|-----|----------------|----------------|---|------|------|------------|------------|------------|
| 20 | 15 | 10 | 148 | 25 | 66 | 24 | 65 | 14 | 130 | 97 | 1/4" | 4 | 13.5 | 817 | DKOMNO020E | DKOMNO020F | DKOMNO020P |
| 25 | 20 | 10 | 151 | 30 | 69 | 24 | 75 | 14 | 150 | 97 | 1/4" | 4 | 13.5 | 865 | DKOMNO025E | DKOMNO025F | DKOMNO025P |
| 32 | 25 | 10 | 159 | 33 | 78 | 24 | 85 | 14 | 160 | 97 | 1/4" | 4 | 13.5 | 1109 | DKOMNO032E | DKOMNO032F | DKOMNO032P |
| 40 | 32 | 10 | 163 | 30 | 82 | 24 | 100 | 18 | 180 | 97 | 1/4" | 4 | 14 | 1194 | DKOMNO040E | DKOMNO040F | DKOMNO040P |
| 50 | 40 | 10 | 207 | 35 | 112 | 24 | 110 | 18 | 200 | 126 | 1/4" | 4 | 16 | 2483 | DKOMNO050E | DKOMNO050F | DKOMNO050P |
| 63 | 50 | 10 | 245 | 46 | 142 | 24 | 125 | 18 | 230 | 157 | 1/4" | 4 | 16 | 4333 | DKOMNO063E | DKOMNO063F | DKOMNO063P |
| 75 | 65 | 10 | 245 | 46 | 142 | 24 | 145 | 18 | 290 | 157 | 1/4" | 4 | 21 | 4877 | DKOMNO075E | DKOMNO075F | DKOMNO075P |

DIMENSIONS

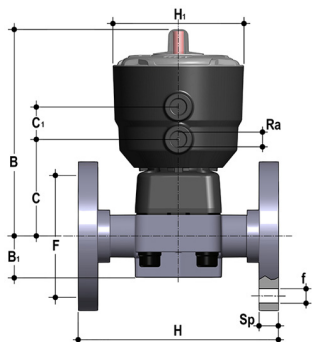
DK/CP DN 15÷65 PP-H



DKOM/CP DA

Pneumatically actuated diaphragm valve with monolithic flanged body, drilled PN10/16. Face to face according to EN 558-1. Double-Acting function

| d | DN | PN | B | B ₁ | C | C ₁ | F | Øf | H | H ₁ | R _a | U | Sp | g | EPDM Code | FKM Code | PTFE Code |
|----|----|----|-----|----------------|-----|----------------|-----|----|-----|----------------|----------------|---|------|------|------------|------------|------------|
| 20 | 15 | 10 | 148 | 25 | 66 | 24 | 65 | 14 | 130 | 97 | 1/4" | 4 | 13.5 | 697 | DKOMDA020E | DKOMDA020F | DKOMDA020P |
| 25 | 20 | 10 | 151 | 30 | 69 | 24 | 75 | 14 | 150 | 97 | 1/4" | 4 | 13.5 | 735 | DKOMDA025E | DKOMDA025F | DKOMDA025P |
| 32 | 25 | 10 | 159 | 33 | 78 | 24 | 85 | 14 | 160 | 97 | 1/4" | 4 | 13.5 | 989 | DKOMDA032E | DKOMDA032F | DKOMDA032P |
| 40 | 32 | 10 | 163 | 30 | 82 | 24 | 100 | 18 | 180 | 97 | 1/4" | 4 | 14 | 1084 | DKOMDA040E | DKOMDA040F | DKOMDA040P |
| 50 | 40 | 10 | 207 | 35 | 112 | 24 | 110 | 18 | 200 | 126 | 1/4" | 4 | 16 | 2241 | DKOMDA050E | DKOMDA050F | DKOMDA050P |
| 63 | 50 | 10 | 245 | 46 | 142 | 24 | 125 | 18 | 230 | 157 | 1/4" | 4 | 16 | 3895 | DKOMDA063E | DKOMDA063F | DKOMDA063P |
| 75 | 65 | 10 | 245 | 46 | 142 | 24 | 145 | 18 | 290 | 157 | 1/4" | 4 | 21 | 4439 | DKOMDA075E | DKOMDA075F | DKOMDA075P |



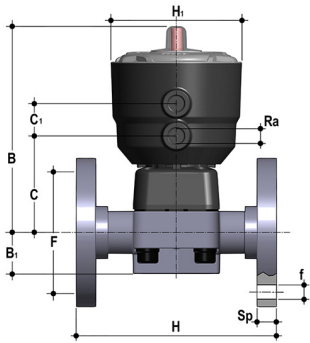
DKOAM/CP NC

Pneumatically actuated diaphragm valve with monolithic flanged body, drilled ANSI B16.5 cl. 150 #FF. Normally Closed function

| d | DN | PN | B | B ₁ | C | C ₁ | F | Øf | H | H ₁ | R _a | U | Sp | g | EPDM Code | FKM Code | PTFE Code |
|--------|----|----|-----|----------------|-----|----------------|--------|------|-----|----------------|----------------|---|------|------|-------------|-------------|-------------|
| 1/2" | 15 | 10 | 148 | 25 | 66 | 24 | 60.30 | 14 | 108 | 97 | 1/4" | 4 | 13.5 | 817 | DKOAMNC012E | DKOAMNC012F | DKOAMNC012P |
| 3/4" | 20 | 10 | 151 | 30 | 69 | 24 | 69.90 | 15.7 | 120 | 97 | 1/4" | 4 | 13.5 | 865 | DKOAMNC034E | DKOAMNC034F | DKOAMNC034P |
| 1" | 25 | 10 | 159 | 33 | 78 | 24 | 79.40 | 15.7 | 131 | 97 | 1/4" | 4 | 13.5 | 1109 | DKOAMNC100E | DKOAMNC100F | DKOAMNC100P |
| 1" 1/4 | 32 | 10 | 163 | 30 | 82 | 24 | 88.90 | 15.7 | 162 | 97 | 1/4" | 4 | 14 | 1194 | DKOAMNC114E | DKOAMNC114F | DKOAMNC114P |
| 1" 1/2 | 40 | 10 | 207 | 35 | 112 | 24 | 98.40 | 15.7 | 180 | 126 | 1/4" | 4 | 16 | 2943 | DKOAMNC112E | DKOAMNC112F | DKOAMNC112P |
| 2" | 50 | 10 | 245 | 46 | 142 | 24 | 120.70 | 19 | 210 | 157 | 1/4" | 4 | 16 | 6115 | DKOAMNC200E | DKOAMNC200F | DKOAMNC200P |
| 2" 1/2 | 65 | 10 | 245 | 46 | 142 | 24 | 139.70 | 19 | 250 | 157 | 1/4" | 4 | 21 | 6659 | DKOAMNC212E | DKOAMNC212F | DKOAMNC212P |

DIMENSIONS

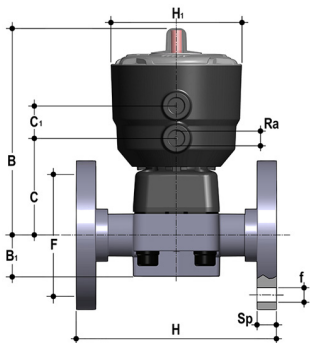
DK/CP DN 15÷65 PP-H



DKOAM/CP NO

Pneumatically actuated diaphragm valve with monolithic flanged body, drilled ANSI B16.5 cl. 150 #FF. Normally Open function

| d | DN | PN | B | B ₁ | C | C ₁ | F | Øf | H | H ₁ | R ₀ | U | Sp | g | EPDM Code | FKM Code | PTFE Code |
|--------|----|----|-----|----------------|-----|----------------|--------|------|-----|----------------|----------------|---|------|------|-------------|-------------|-------------|
| 1/2" | 15 | 10 | 148 | 25 | 66 | 24 | 60.30 | 14 | 108 | 97 | 1/4" | 4 | 13.5 | 817 | DKOAMNO012E | DKOAMNO012F | DKOAMNO012P |
| 3/4" | 20 | 10 | 151 | 30 | 69 | 24 | 69.90 | 15.7 | 120 | 97 | 1/4" | 4 | 13.5 | 865 | DKOAMNO034E | DKOAMNO034F | DKOAMNO034P |
| 1" | 25 | 10 | 159 | 33 | 78 | 24 | 79.40 | 15.7 | 131 | 97 | 1/4" | 4 | 13.5 | 1109 | DKOAMNO100E | DKOAMNO100F | DKOAMNO100P |
| 1" 1/4 | 32 | 10 | 163 | 30 | 82 | 24 | 88.90 | 15.7 | 162 | 97 | 1/4" | 4 | 14 | 1194 | DKOAMNO114E | DKOAMNO114F | DKOAMNO114P |
| 1" 1/2 | 40 | 10 | 207 | 35 | 112 | 24 | 98.40 | 15.7 | 180 | 126 | 1/4" | 4 | 16 | 2483 | DKOAMNO112E | DKOAMNO112F | DKOAMNO112P |
| 2" | 50 | 10 | 245 | 46 | 142 | 24 | 120.70 | 19 | 210 | 157 | 1/4" | 4 | 16 | 4333 | DKOAMNO200E | DKOAMNO200F | DKOAMNO200P |
| 2" 1/2 | 65 | 10 | 245 | 46 | 142 | 24 | 139.70 | 19 | 250 | 157 | 1/4" | 4 | 21 | 4877 | DKOAMNO212E | DKOAMNO212F | DKOAMNO212P |



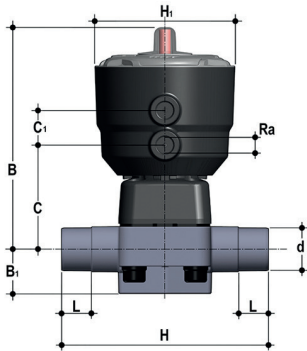
DKOAM/CP DA

Pneumatically actuated diaphragm valve with monolithic flanged body, drilled ANSI B16.5 cl. 150 #FF. Double-Acting function

| d | DN | PN | B | B ₁ | C | C ₁ | F | Øf | H | H ₁ | R ₀ | U | Sp | g | EPDM Code | FKM Code | PTFE Code |
|--------|----|----|-----|----------------|-----|----------------|--------|------|-----|----------------|----------------|---|------|------|-------------|-------------|-------------|
| 1/2" | 15 | 10 | 148 | 25 | 66 | 24 | 60.30 | 14 | 108 | 97 | 1/4" | 4 | 13.5 | 697 | DKOAMDA012E | DKOAMDA012F | DKOAMDA012P |
| 3/4" | 20 | 10 | 151 | 30 | 69 | 24 | 69.90 | 15.7 | 120 | 97 | 1/4" | 4 | 13.5 | 735 | DKOAMDA034E | DKOAMDA034F | DKOAMDA034P |
| 1" | 25 | 10 | 159 | 33 | 78 | 24 | 79.40 | 15.7 | 131 | 97 | 1/4" | 4 | 13.5 | 989 | DKOAMDA100E | DKOAMDA100F | DKOAMDA100P |
| 1" 1/4 | 32 | 10 | 163 | 30 | 82 | 24 | 88.90 | 15.7 | 162 | 97 | 1/4" | 4 | 14 | 1084 | DKOAMDA114E | DKOAMDA114F | DKOAMDA114P |
| 1" 1/2 | 40 | 10 | 207 | 35 | 112 | 24 | 98.40 | 15.7 | 180 | 126 | 1/4" | 4 | 16 | 2241 | DKOAMDA112E | DKOAMDA112F | DKOAMDA112P |
| 2" | 50 | 10 | 245 | 46 | 142 | 24 | 120.70 | 19 | 210 | 157 | 1/4" | 4 | 16 | 3895 | DKOAMDA200E | DKOAMDA200F | DKOAMDA200P |
| 2" 1/2 | 65 | 10 | 245 | 46 | 142 | 24 | 139.70 | 19 | 250 | 157 | 1/4" | 4 | 21 | 4439 | DKOAMDA212E | DKOAMDA212F | DKOAMDA212P |

DIMENSIONS

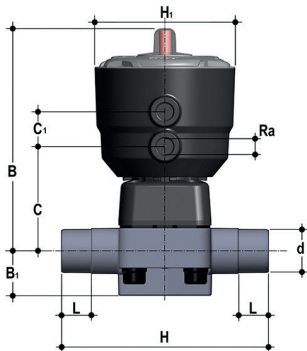
DK/CP DN 15÷65 PVDF



DKDF/CP NC

Pneumatically actuated diaphragm valve with male ends for socket fusion, metric series.
Normally Closed function

| d | DN | PN | B | B ₁ | C | C ₁ | H | H ₁ | L | R ₂ | g | EPDM Code | FKM Code | PTFE Code |
|----|----|----|-----|----------------|-----|----------------|-----|----------------|----|----------------|------|------------|------------|------------|
| 20 | 15 | 10 | 148 | 25 | 66 | 24 | 124 | 97 | 16 | 1/4" | 732 | DKDFNC020E | DKDFNC020F | DKDFNC020P |
| 25 | 20 | 10 | 151 | 30 | 69 | 24 | 144 | 97 | 19 | 1/4" | 762 | DKDFNC025E | DKDFNC025F | DKDFNC025P |
| 32 | 25 | 10 | 159 | 33 | 78 | 24 | 154 | 97 | 22 | 1/4" | 991 | DKDFNC032E | DKDFNC032F | DKDFNC032P |
| 40 | 32 | 10 | 163 | 30 | 82 | 24 | 174 | 97 | 26 | 1/4" | 1052 | DKDFNC040E | DKDFNC040F | DKDFNC040P |
| 50 | 40 | 10 | 207 | 35 | 112 | 24 | 194 | 126 | 31 | 1/4" | 2862 | DKDFNC050E | DKDFNC050F | DKDFNC050P |
| 63 | 50 | 10 | 245 | 46 | 142 | 24 | 224 | 157 | 38 | 1/4" | 6357 | DKDFNC063E | DKDFNC063F | DKDFNC063P |
| 75 | 65 | 10 | 245 | 46 | 142 | 24 | 284 | 157 | 44 | 1/4" | 6596 | DKDFNC075E | DKDFNC075F | DKDFNC075P |



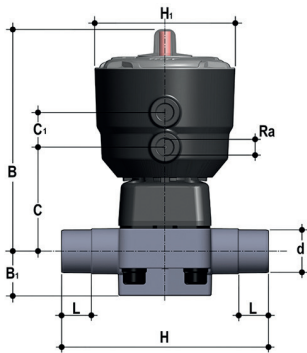
DKDF/CP NO

Pneumatically actuated diaphragm valve with male ends for socket fusion, metric series.
Normally Open function

| d | DN | PN | B | B ₁ | C | C ₁ | H | H ₁ | L | R ₂ | g | EPDM Code | FKM Code | PTFE Code |
|----|----|----|-----|----------------|-----|----------------|-----|----------------|----|----------------|------|------------|------------|------------|
| 20 | 15 | 10 | 148 | 25 | 66 | 24 | 124 | 97 | 16 | 1/4" | 732 | DKDFNO020E | DKDFNO020F | DKDFNO020P |
| 25 | 20 | 10 | 151 | 30 | 69 | 24 | 144 | 97 | 19 | 1/4" | 762 | DKDFNO025E | DKDFNO025F | DKDFNO025P |
| 32 | 25 | 10 | 159 | 33 | 78 | 24 | 154 | 97 | 22 | 1/4" | 991 | DKDFNO032E | DKDFNO032F | DKDFNO032P |
| 40 | 32 | 10 | 163 | 30 | 82 | 24 | 174 | 97 | 26 | 1/4" | 1052 | DKDFNO040E | DKDFNO040F | DKDFNO040P |
| 50 | 40 | 10 | 207 | 35 | 112 | 24 | 194 | 126 | 31 | 1/4" | 2402 | DKDFNO050E | DKDFNO050F | DKDFNO050P |
| 63 | 50 | 10 | 245 | 46 | 142 | 24 | 224 | 157 | 38 | 1/4" | 4575 | DKDFNO063E | DKDFNO063F | DKDFNO063P |
| 75 | 65 | 10 | 245 | 46 | 142 | 24 | 284 | 157 | 44 | 1/4" | 4814 | DKDFNO075E | DKDFNO075F | DKDFNO075P |

DIMENSIONS

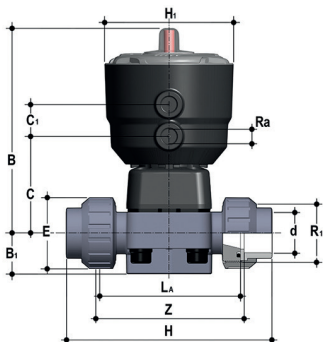
DK/CP DN 15÷65 PVDF



DKDF/CP DA

Pneumatically actuated diaphragm valve with male ends for socket fusion, metric series.
Double-Acting function

| d | DN | PN | B | B ₁ | C | C ₁ | H | H ₁ | L | R ₂ | g | EPDM Code | FKM Code | PTFE Code |
|----|----|----|-----|----------------|-----|----------------|-----|----------------|----|----------------|------|------------|------------|------------|
| 20 | 15 | 10 | 148 | 25 | 66 | 24 | 124 | 97 | 16 | 1/4" | 612 | DKDFDA020E | DKDFDA020F | DKDFDA020P |
| 25 | 20 | 10 | 151 | 30 | 69 | 24 | 144 | 97 | 19 | 1/4" | 642 | DKDFDA025E | DKDFDA025F | DKDFDA025P |
| 32 | 25 | 10 | 159 | 33 | 78 | 24 | 154 | 97 | 22 | 1/4" | 871 | DKDFDA032E | DKDFDA032F | DKDFDA032P |
| 40 | 32 | 10 | 163 | 30 | 82 | 24 | 174 | 97 | 26 | 1/4" | 932 | DKDFDA040E | DKDFDA040F | DKDFDA040P |
| 50 | 40 | 10 | 207 | 35 | 112 | 24 | 194 | 126 | 31 | 1/4" | 2160 | DKDFDA050E | DKDFDA050F | DKDFDA050P |
| 63 | 50 | 10 | 245 | 46 | 142 | 24 | 224 | 157 | 38 | 1/4" | 4137 | DKDFDA063E | DKDFDA063F | DKDFDA063P |
| 75 | 65 | 10 | 245 | 46 | 142 | 24 | 284 | 157 | 44 | 1/4" | 4376 | DKDFDA075E | DKDFDA075F | DKDFDA075P |



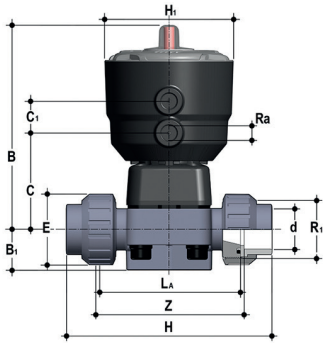
DKUIF/CP NC

Pneumatically actuated diaphragm valve with female union ends for socket fusion, metric series. Normally Closed function

| d | DN | PN | B | B ₁ | C | C ₁ | E | H | H ₁ | L ₁ | R ₁ | R ₂ | Z | g | EPDM Code | FKM Code | PTFE Code |
|----|----|----|-----|----------------|-----|----------------|----|-----|----------------|----------------|----------------|----------------|-----|------|-------------|-------------|-------------|
| 20 | 15 | 10 | 148 | 25 | 66 | 24 | 41 | 129 | 97 | 90 | 1" | 1/4" | 100 | 786 | DKUIFNC020E | DKUIFNC020F | DKUIFNC020P |
| 25 | 20 | 10 | 151 | 30 | 69 | 24 | 50 | 154 | 97 | 108 | 1 1/4" | 1/4" | 116 | 871 | DKUIFNC025E | DKUIFNC025F | DKUIFNC025P |
| 32 | 25 | 10 | 159 | 33 | 78 | 24 | 58 | 168 | 97 | 116 | 1 1/2" | 1/4" | 124 | 1140 | DKUIFNC032E | DKUIFNC032F | DKUIFNC032P |
| 40 | 32 | 10 | 163 | 30 | 82 | 24 | 72 | 192 | 97 | 134 | 2" | 1/4" | 140 | 1312 | DKUIFNC040E | DKUIFNC040F | DKUIFNC040P |
| 50 | 40 | 10 | 207 | 35 | 112 | 24 | 79 | 222 | 126 | 154 | 2 1/4" | 1/4" | 160 | 3143 | DKUIFNC050E | DKUIFNC050F | DKUIFNC050P |
| 63 | 50 | 10 | 245 | 46 | 142 | 24 | 98 | 266 | 157 | 184 | 2 3/4" | 1/4" | 190 | 6871 | DKUIFNC063E | DKUIFNC063F | DKUIFNC063P |

DIMENSIONS

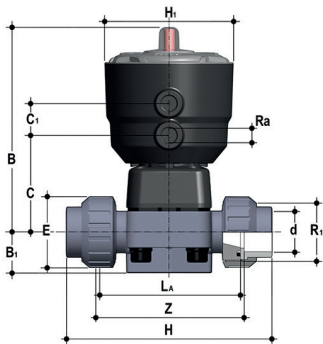
DK/CP DN 15÷65 PVDF



DKUIF/CP NO

Pneumatically actuated diaphragm valve with female union ends for socket fusion, metric series. Normally Open function

| d | DN | PN | B | B ₁ | C | C ₁ | E | H | H ₁ | L ₁ | R ₁ | R ₂ | Z | g | EPDM Code | FKM Code | PTFE Code |
|----|----|----|-----|----------------|-----|----------------|----|-----|----------------|----------------|----------------|----------------|-----|------|-------------|-------------|-------------|
| 20 | 15 | 10 | 148 | 25 | 66 | 24 | 41 | 129 | 97 | 90 | 1" | 1/4" | 100 | 786 | DKUIFNO020E | DKUIFNO020F | DKUIFNO020P |
| 25 | 20 | 10 | 151 | 30 | 69 | 24 | 50 | 154 | 97 | 108 | 1 1/4" | 1/4" | 116 | 871 | DKUIFNO025E | DKUIFNO025F | DKUIFNO025P |
| 32 | 25 | 10 | 159 | 33 | 78 | 24 | 58 | 168 | 97 | 116 | 1 1/2" | 1/4" | 124 | 1140 | DKUIFNO032E | DKUIFNO032F | DKUIFNO032P |
| 40 | 32 | 10 | 163 | 30 | 82 | 24 | 72 | 192 | 97 | 134 | 2" | 1/4" | 140 | 1312 | DKUIFNO040E | DKUIFNO040F | DKUIFNO040P |
| 50 | 40 | 10 | 207 | 35 | 112 | 24 | 79 | 222 | 126 | 154 | 2 1/4" | 1/4" | 160 | 2683 | DKUIFNO050E | DKUIFNO050F | DKUIFNO050P |
| 63 | 50 | 10 | 245 | 46 | 142 | 24 | 98 | 266 | 157 | 184 | 2 3/4" | 1/4" | 190 | 5089 | DKUIFNO063E | DKUIFNO063F | DKUIFNO063P |



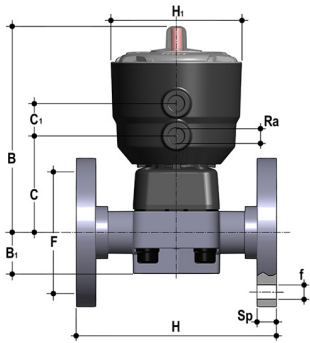
DKUIF/CP DA

Pneumatically actuated diaphragm valve with female union ends for socket fusion, metric series. Double-Acting function

| d | DN | PN | B | B ₁ | C | C ₁ | E | H | H ₁ | L ₁ | R ₁ | R ₂ | Z | g | EPDM Code | FKM Code | PTFE Code |
|----|----|----|-----|----------------|-----|----------------|----|-----|----------------|----------------|----------------|----------------|-----|------|-------------|-------------|-------------|
| 20 | 15 | 10 | 148 | 25 | 66 | 24 | 41 | 129 | 97 | 90 | 1" | 1/4" | 100 | 666 | DKUIFDA020E | DKUIFDA020F | DKUIFDA020P |
| 25 | 20 | 10 | 151 | 30 | 69 | 24 | 50 | 154 | 97 | 108 | 1 1/4" | 1/4" | 116 | 751 | DKUIFDA025E | DKUIFDA025F | DKUIFDA025P |
| 32 | 25 | 10 | 159 | 33 | 78 | 24 | 58 | 168 | 97 | 116 | 1 1/2" | 1/4" | 124 | 1020 | DKUIFDA032E | DKUIFDA032F | DKUIFDA032P |
| 40 | 32 | 10 | 163 | 30 | 82 | 24 | 72 | 192 | 97 | 134 | 2" | 1/4" | 140 | 1192 | DKUIFDA040E | DKUIFDA040F | DKUIFDA040P |
| 50 | 40 | 10 | 207 | 35 | 112 | 24 | 79 | 222 | 126 | 154 | 2 1/4" | 1/4" | 160 | 2441 | DKUIFDA050E | DKUIFDA050F | DKUIFDA050P |
| 63 | 50 | 10 | 245 | 46 | 142 | 24 | 98 | 266 | 157 | 184 | 2 3/4" | 1/4" | 190 | 4651 | DKUIFDA063E | DKUIFDA063F | DKUIFDA063P |

DIMENSIONS

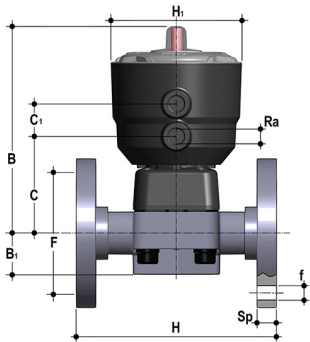
DK/CP DN 15÷65 PVDF



DKOF/CP NC

Pneumatically actuated diaphragm valve with monolithic flanged body, drilled PN10/16. Face to face according to EN 558-1. Normally Closed function

| d | DN | PN | B | B ₁ | C | C ₁ | F | Øf | H | H ₁ | R ₂ | U | Sp | g | EPDM Code | FKM Code | PTFE Code |
|----|----|----|-----|----------------|-----|----------------|-----|----|-----|----------------|----------------|---|------|------|------------|------------|------------|
| 20 | 15 | 10 | 148 | 25 | 66 | 24 | 65 | 14 | 130 | 97 | 1/4" | 4 | 13.5 | 1011 | DKOFNC020E | DKOFNC020F | DKOFNC020P |
| 25 | 20 | 10 | 151 | 30 | 69 | 24 | 75 | 14 | 150 | 97 | 1/4" | 4 | 13.5 | 1117 | DKOFNC025E | DKOFNC025F | DKOFNC025P |
| 32 | 25 | 10 | 159 | 33 | 78 | 24 | 85 | 14 | 160 | 97 | 1/4" | 4 | 13.5 | 1429 | DKOFNC032E | DKOFNC032F | DKOFNC032P |
| 40 | 32 | 10 | 163 | 30 | 82 | 24 | 100 | 18 | 180 | 97 | 1/4" | 4 | 14 | 1675 | DKOFNC040E | DKOFNC040F | DKOFNC040P |
| 50 | 40 | 10 | 207 | 35 | 112 | 24 | 110 | 18 | 200 | 126 | 1/4" | 4 | 16 | 3651 | DKOFNC050E | DKOFNC050F | DKOFNC050P |
| 63 | 50 | 10 | 245 | 46 | 142 | 24 | 125 | 18 | 230 | 157 | 1/4" | 4 | 16 | 7116 | DKOFNC063E | DKOFNC063F | DKOFNC063P |
| 75 | 65 | 10 | 245 | 46 | 142 | 24 | 145 | 18 | 290 | 157 | 1/4" | 4 | 21 | 7885 | DKOFNC075E | DKOFNC075F | DKOFNC075P |



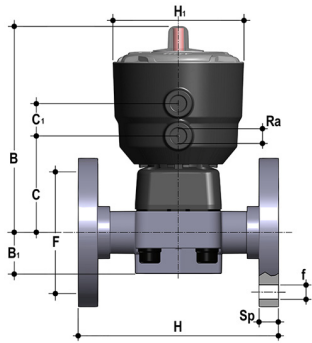
DKOF/CP NO

Pneumatically actuated diaphragm valve with monolithic flanged body, drilled PN10/16. Face to face according to EN 558-1. Normally Open function

| d | DN | PN | B | B ₁ | C | C ₁ | F | Øf | H | H ₁ | R ₂ | U | Sp | g | EPDM Code | FKM Code | PTFE Code |
|----|----|----|-----|----------------|-----|----------------|-----|----|-----|----------------|----------------|---|------|------|------------|------------|------------|
| 20 | 15 | 10 | 148 | 25 | 66 | 24 | 65 | 14 | 130 | 97 | 1/4" | 4 | 13.5 | 1011 | DKOFNO020E | DKOFNO020F | DKOFNO020P |
| 25 | 20 | 10 | 151 | 30 | 69 | 24 | 75 | 14 | 150 | 97 | 1/4" | 4 | 13.5 | 1117 | DKOFNO025E | DKOFNO025F | DKOFNO025P |
| 32 | 25 | 10 | 159 | 33 | 78 | 24 | 85 | 14 | 160 | 97 | 1/4" | 4 | 13.5 | 1429 | DKOFNO032E | DKOFNO032F | DKOFNO032P |
| 40 | 32 | 10 | 163 | 30 | 82 | 24 | 100 | 18 | 180 | 97 | 1/4" | 4 | 14 | 1675 | DKOFNO040E | DKOFNO040F | DKOFNO040P |
| 50 | 40 | 10 | 207 | 35 | 112 | 24 | 110 | 18 | 200 | 126 | 1/4" | 4 | 16 | 3191 | DKOFNO050E | DKOFNO050F | DKOFNO050P |
| 63 | 50 | 10 | 245 | 46 | 142 | 24 | 125 | 18 | 230 | 157 | 1/4" | 4 | 16 | 5334 | DKOFNO063E | DKOFNO063F | DKOFNO063P |
| 75 | 65 | 10 | 245 | 46 | 142 | 24 | 145 | 18 | 290 | 157 | 1/4" | 4 | 21 | 6103 | DKOFNO075E | DKOFNO075F | DKOFNO075P |

DIMENSIONS

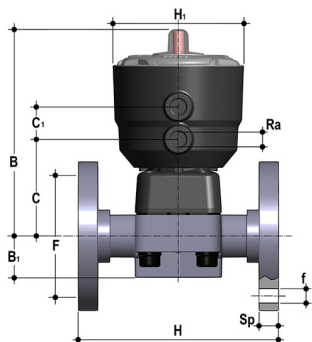
DK/CP DN 15÷65 PVDF



DKOF/CP DA

Pneumatically actuated diaphragm valve with monolithic flanged body, drilled PN10/16. Face to face according to EN 558-1. Double-Acting function

| d | DN | PN | B | B ₁ | C | C ₁ | F | Øf | H | H ₁ | R _a | U | Sp | g | EPDM Code | FKM Code | PTFE Code |
|----|----|----|-----|----------------|-----|----------------|-----|----|-----|----------------|----------------|---|------|------|------------|------------|------------|
| 20 | 15 | 10 | 148 | 25 | 66 | 24 | 65 | 14 | 130 | 97 | 1/4" | 4 | 13.5 | 891 | DKOFDA020E | DKOFDA020F | DKOFDA020P |
| 25 | 20 | 10 | 151 | 30 | 69 | 24 | 75 | 14 | 150 | 97 | 1/4" | 4 | 13.5 | 987 | DKOFDA025E | DKOFDA025F | DKOFDA025P |
| 32 | 25 | 10 | 159 | 33 | 78 | 24 | 85 | 14 | 160 | 97 | 1/4" | 4 | 13.5 | 1309 | DKOFDA032E | DKOFDA032F | DKOFDA032P |
| 40 | 32 | 10 | 163 | 30 | 82 | 24 | 100 | 18 | 180 | 97 | 1/4" | 4 | 14 | 1565 | DKOFDA040E | DKOFDA040F | DKOFDA040P |
| 50 | 40 | 10 | 207 | 35 | 112 | 24 | 110 | 18 | 200 | 126 | 1/4" | 4 | 16 | 2949 | DKOFDA050E | DKOFDA050F | DKOFDA050P |
| 63 | 50 | 10 | 245 | 46 | 142 | 24 | 125 | 18 | 230 | 157 | 1/4" | 4 | 16 | 4896 | DKOFDA063E | DKOFDA063F | DKOFDA063P |
| 75 | 65 | 10 | 245 | 46 | 142 | 24 | 145 | 18 | 290 | 157 | 1/4" | 4 | 21 | 5665 | DKOFDA075E | DKOFDA075F | DKOFDA075P |



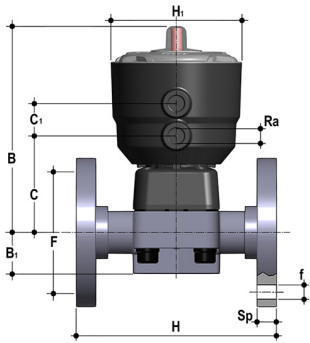
DKOAF/CP NC

Pneumatically actuated diaphragm valve with monolithic flanged body, drilled ANSI B16.5 cl. 150 #FF. Normally Closed function

| d | DN | PN | B | B ₁ | C | C ₁ | F | Øf | H | H ₁ | R _a | U | Sp | g | EPDM Code | FKM Code | PTFE Code |
|--------|----|----|-----|----------------|-----|----------------|--------|------|-----|----------------|----------------|---|------|------|-------------|-------------|-------------|
| 1/2" | 15 | 10 | 148 | 25 | 66 | 24 | 60.30 | 14 | 108 | 97 | 1/4" | 4 | 13.5 | 1011 | DKOAFNC012E | DKOAFNC012F | DKOAFNC012P |
| 3/4" | 20 | 10 | 151 | 30 | 69 | 24 | 69.90 | 15.7 | 120 | 97 | 1/4" | 4 | 13.5 | 1117 | DKOAFNC034E | DKOAFNC034F | DKOAFNC034P |
| 1" | 25 | 10 | 159 | 33 | 78 | 24 | 79.40 | 15.7 | 131 | 97 | 1/4" | 4 | 13.5 | 1429 | DKOAFNC100E | DKOAFNC100F | DKOAFNC100P |
| 1" 1/4 | 32 | 10 | 163 | 30 | 82 | 24 | 88.90 | 15.7 | 162 | 97 | 1/4" | 4 | 14 | 1675 | DKOAFNC114E | DKOAFNC114F | DKOAFNC114P |
| 1" 1/2 | 40 | 10 | 207 | 35 | 112 | 24 | 98.40 | 15.7 | 180 | 126 | 1/4" | 4 | 16 | 3651 | DKOAFNC112E | DKOAFNC112F | DKOAFNC112P |
| 2" | 50 | 10 | 245 | 46 | 142 | 24 | 120.70 | 19 | 210 | 157 | 1/4" | 4 | 16 | 7116 | DKOAFNC200E | DKOAFNC200F | DKOAFNC200P |
| 2" 1/2 | 65 | 10 | 245 | 46 | 142 | 24 | 139.70 | 19 | 250 | 157 | 1/4" | 4 | 21 | 7885 | DKOAFNC212E | DKOAFNC212F | DKOAFNC212P |

DIMENSIONS

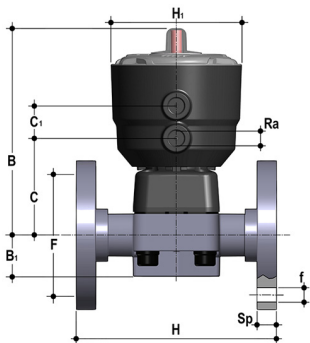
DK/CP DN 15÷65 PVDF



DKOAF/CP NO

Pneumatically actuated diaphragm valve with monolithic flanged body, drilled ANSI B16.5 cl. 150 #FF. Normally Open function

| d | DN | PN | B | B ₁ | C | C ₁ | F | Øf | H | H ₁ | R ₀ | U | Sp | g | EPDM Code | FKM Code | PTFE Code |
|--------|----|----|-----|----------------|-----|----------------|--------|------|-----|----------------|----------------|---|------|------|-------------|-------------|-------------|
| 1/2" | 15 | 10 | 148 | 25 | 66 | 24 | 60.30 | 14 | 108 | 97 | 1/4" | 4 | 13.5 | 1011 | DKOAFNO012E | DKOAFNO012F | DKOAFNO012P |
| 3/4" | 20 | 10 | 151 | 30 | 69 | 24 | 69.90 | 15.7 | 120 | 97 | 1/4" | 4 | 13.5 | 1117 | DKOAFNO034E | DKOAFNO034F | DKOAFNO034P |
| 1" | 25 | 10 | 159 | 33 | 78 | 24 | 79.40 | 15.7 | 131 | 97 | 1/4" | 4 | 13.5 | 1429 | DKOAFNO100E | DKOAFNO100F | DKOAFNO100P |
| 1" 1/4 | 32 | 10 | 163 | 30 | 82 | 24 | 88.90 | 15.7 | 162 | 97 | 1/4" | 4 | 14 | 1675 | DKOAFNO114E | DKOAFNO114F | DKOAFNO114P |
| 1" 1/2 | 40 | 10 | 207 | 35 | 112 | 24 | 98.40 | 15.7 | 180 | 126 | 1/4" | 4 | 16 | 3191 | DKOAFNO112E | DKOAFNO112F | DKOAFNO112P |
| 2" | 50 | 10 | 245 | 46 | 142 | 24 | 120.70 | 19 | 210 | 157 | 1/4" | 4 | 16 | 5334 | DKOAFNO200E | DKOAFNO200F | DKOAFNO200P |
| 2" 1/2 | 65 | 10 | 245 | 46 | 142 | 24 | 139.70 | 19 | 250 | 157 | 1/4" | 4 | 21 | 6103 | DKOAFNO212E | DKOAFNO212F | DKOAFNO212P |



DKOAF/CP DA

Pneumatically actuated diaphragm valve with monolithic flanged body, drilled ANSI B16.5 cl. 150 #FF. Double-Acting function

| d | DN | PN | B | B ₁ | C | C ₁ | F | Øf | H | H ₁ | R ₀ | U | Sp | g | EPDM Code | FKM Code | PTFE Code |
|--------|----|----|-----|----------------|-----|----------------|--------|------|-----|----------------|----------------|---|------|------|-------------|-------------|-------------|
| 1/2" | 15 | 10 | 148 | 25 | 66 | 24 | 60.30 | 14 | 108 | 97 | 1/4" | 4 | 13.5 | 891 | DKOAFDA012E | DKOAFDA012F | DKOAFDA012P |
| 3/4" | 20 | 10 | 151 | 30 | 69 | 24 | 69.90 | 15.7 | 120 | 97 | 1/4" | 4 | 13.5 | 987 | DKOAFDA034E | DKOAFDA034F | DKOAFDA034P |
| 1" | 25 | 10 | 159 | 33 | 78 | 24 | 79.40 | 15.7 | 131 | 97 | 1/4" | 4 | 13.5 | 1309 | DKOAFDA100E | DKOAFDA100F | DKOAFDA100P |
| 1" 1/4 | 32 | 10 | 163 | 30 | 82 | 24 | 88.90 | 15.7 | 162 | 97 | 1/4" | 4 | 14 | 1565 | DKOAFDA114E | DKOAFDA114F | DKOAFDA114P |
| 1" 1/2 | 40 | 10 | 207 | 35 | 112 | 24 | 98.40 | 15.7 | 180 | 126 | 1/4" | 4 | 16 | 2949 | DKOAFDA112E | DKOAFDA112F | DKOAFDA112P |
| 2" | 50 | 10 | 245 | 46 | 142 | 24 | 120.70 | 19 | 210 | 157 | 1/4" | 4 | 16 | 4896 | DKOAFDA200E | DKOAFDA200F | DKOAFDA200P |
| 2" 1/2 | 65 | 10 | 245 | 46 | 142 | 24 | 139.70 | 19 | 250 | 157 | 1/4" | 4 | 21 | 5665 | DKOAFDA212E | DKOAFDA212F | DKOAFDA212P |