



DK/CP DN 15÷65

PVC-U/PVC-C/PP-H/PVDF

PNEUMATICALLY ACTUATED DIAPHRAGM VALVE PN10



DK/CP DN 15÷65

The DK diaphragm valve is particularly suitable for shutting off and regulating abrasive or dirty fluids. The new internal geometry of the body significantly increases the flow coefficient, reduces pressure drops and allows accurate adjustment over the entire shutter stroke. The DK is extremely compact and very light. The innovative handwheel is equipped with a patented immediate and ergonomic locking device that allows it to be adjusted and locked in any position.

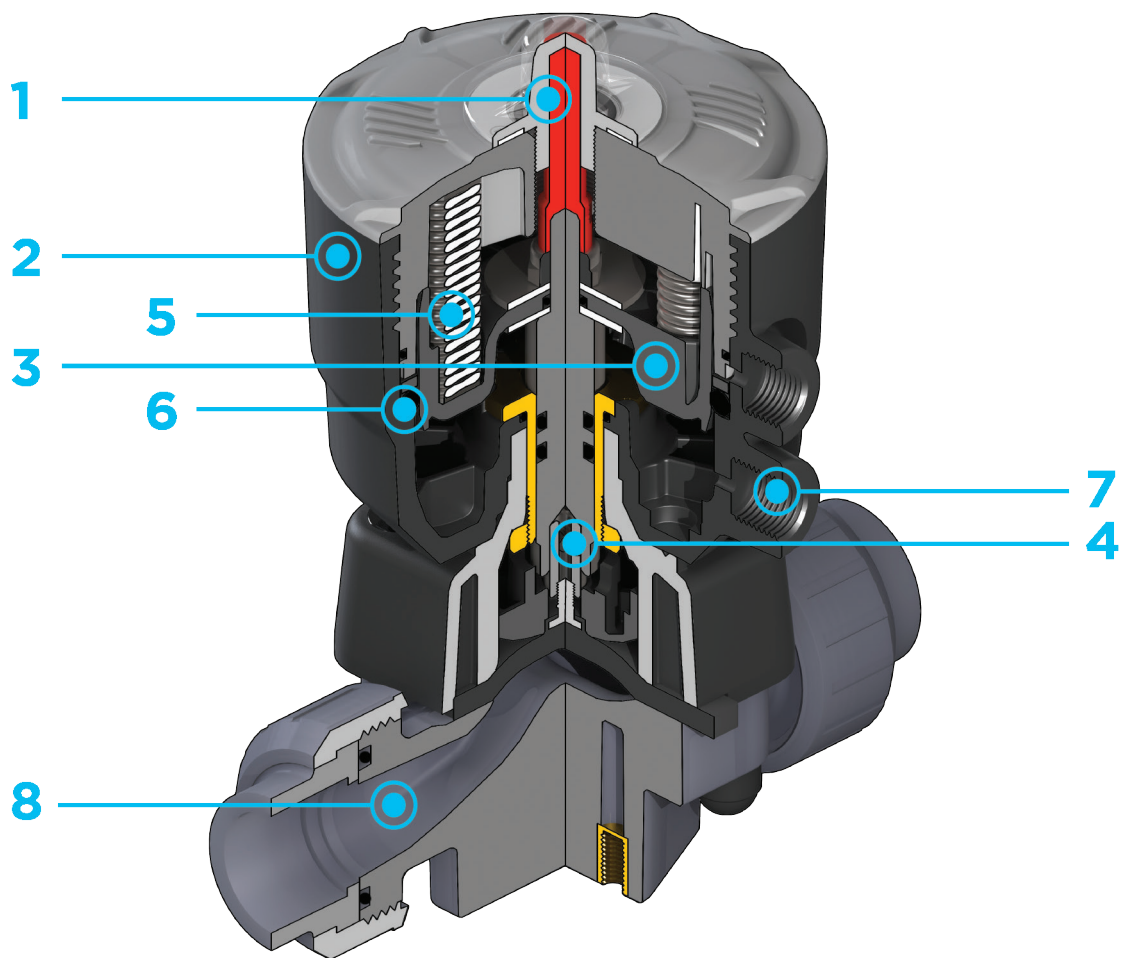
PNEUMATICALLY ACTUATED DIAPHRAGM VALVE PN10

- Joint system for solvent welding (PVC-U and PVC-C only), for welding (PP-H and PVDF only), for threading and flanging
- **Optimised fluid dynamic design:** maximum output flow rate thanks to the optimised efficiency of the fluid dynamics that characterise the new internal geometry of the body
- **Internal operating components in metal totally isolated from the conveyed fluid** and external environment
- **Modularity of the range:** only 2 hand wheels and 4 diaphragms and bonnet sizes for 7 different valve sizes
- Non-salient hand wheel, equipped with a graduated optical indicator and protected by a transparent PVC cap with sealing O-ring.
- Bonnet fastening screws in STAINLESS steel protected by PE plugs. Absence of metal parts exposed to the external environment to prevent any risk of corrosion
- **New flanged bodies:** the new bodies, characterised by a monolithic flanged structure, are available in PVC-U, PVC-C, PP-H and PVDF. This design, free of joints between the body and flanges, greatly reduces mechanical stress and increases system performance
- **CDSA seal system** (Circular Diaphragm Sealing Angle) with a uniform distribution of the shutter pressure on the sealing membrane offers the following advantages:
 - Operating torque reduction.
 - Reduced mechanical stress on all valve components (actuator, body and diaphragm).
 - Low risk of the accumulation of deposits, contamination or damage to the diaphragm due to crystallisation.
 - Easy to clean valve interior.

Technical specifications - DK	
Construction	Pneumatically actuated diaphragm valve with body at maximized flow rate
Size range	DN 15 ÷ 65
Nominal pressure	PN 10 with water at 20° C
Temperature range	PVC-U: 0 °C ÷ 60 °C PVC-C: 0° C ÷ 100° C PP-H: 0° C ÷ 100° C PVDF: -20° C ÷ 120° C
PVC-U coupling standards	Solvent welding: EN ISO 1452, EN ISO 15493, BS 4346-1, DIN 8063, NF T54-028, ASTM D 2467. Can be coupled to pipes according to EN ISO 1452, EN ISO 15493, DIN 8062, NF T54-016, ASTM D 1785. Thread: ISO 228-1, DIN 2999, ASTM D 2464. Flanging system: ISO 7005-1, EN ISO 1452, EN ISO 15493, EN 558-1, DIN 2501, ANSI B.16.5 cl. 150, JIS B 2220.
PVC-C coupling standards	Solvent welding: EN ISO 15493, ASTM F 439. Can be coupled to pipes according to EN ISO 15493, ASTM F 441. Thread: ISO 228-1, DIN 2999. Flanging system: ISO 7005-1, EN ISO 15493, EN 558-1, DIN 2501, ANSI B.16.5 cl.150
PP-H coupling standards	Welding: EN ISO 15494. Can be coupled to pipes according to EN ISO 15494. Thread: ISO 228-1, DIN 2999. Flanging system: ISO 7005-1, EN ISO 1092-1, EN 15494, EN 558-1, DIN 2501, ANSI B16.5 cl.150
PVDF coupling standards	Welding: EN ISO 10931. Can be coupled to pipes according to EN ISO 10931. Flanging system: ISO 7005-1, EN 10931, EN 558-1, DIN 2501, ANSI B.16.5 cl.150
Reference standards	PVC-U construction criteria: EN ISO 16138, EN ISO 1452, EN ISO 15493 PVC-C construction criteria: EN ISO 16138, EN ISO 15493 PP-H construction criteria: EN ISO 16138, EN ISO 15494 PVDF construction criteria: EN ISO 16138, EN ISO 10931 Test methods and requirements: ISO 9393 PVC-U/PVC-C installation criteria: DVS 2204, DVS 2221, UNI 11242 PP-H installation criteria: DVS 2202-1, DVS 2207-11, DVS 2208-1, UNI 11318 PVDF installation criteria: DVS 2201-1, DVS 2207-15, DVS 2208-1
Valve material	PVC-U / PP-H / PVDF / PVC-C
Seal material	EPDM, FKM, PTFE (on request NBR)
Control options	Pneumatic actuator

The new compact and light piston actuator in PP-GR makes the DK/CP the ideal choice for applications requiring very frequent valve operation and a long valve lifetime.

Technical specifications - Pneumatic actuator	
Construction	Single-acting (NC-NO) and double-acting (DA) pneumatic piston actuator
Actuator material	Body: PP-GR Bonnet: PC
Control air pressure	Minimum: according to working pressure and actuator function (see graphs) Maximum: NC: 6 bar - DA: 5 bar - NO: 6 bar
Power supply	Dry or lubricated filtered compressed air. If using other fluids, contact the FIP service centre
Control fluid temperature	Max 40 °C
Temperature range	-20 °C ÷ 50 °C
Standard equipment	• Optical position indicator
Accessories	<ul style="list-style-type: none"> • Stroke limiter with position indicator • Stroke limiter with position indicator and emergency manual override • Limit switch boxes • Electro-pneumatic positioner • Pilot solenoid valves 3-5/2 ways for direct or manifold mounting • Distance plate



1 High visibility graduated optical position indicator protected by a transparent cap with a seal O-Ring.

2 Compact and light piston in PP-GR, ideal for heavy-duty applications in chemically aggressive environments with a diaphragm perimeter containment system that ensures the perfect compression of the rubber without any lateral expansion.

3 Piston in high strength IXEF®. The high quality finishing of the external surface guarantees perfect slidability over the seal and ensures a long working life without any actuator maintenance.

4 High strength stainless steel stem with double seal O-Ring. Floating pin connection between the actuator stem and diaphragm to prevent concentrated loads, improve the seal and extend its lifetime.

5 Actuator equipped with 6 independent cartridge springs arranged radially to uniformly distribute the load on the piston.

6 Dual function main gasket. **Piston seal:** the gasket does not move but sits securely on the actuator cylinder instead of the piston. **External seal:** the gasket positioned above the threaded joint between the bonnet and cylinder ensures that the coupling is not stressed by the pressure inside the actuator.

7 Easy installation in confined spaces: compressed air inlets with G 1/4" threaded adjustable connections to enable alignment with the piping. PPGR connections prevent any risk of corrosion.

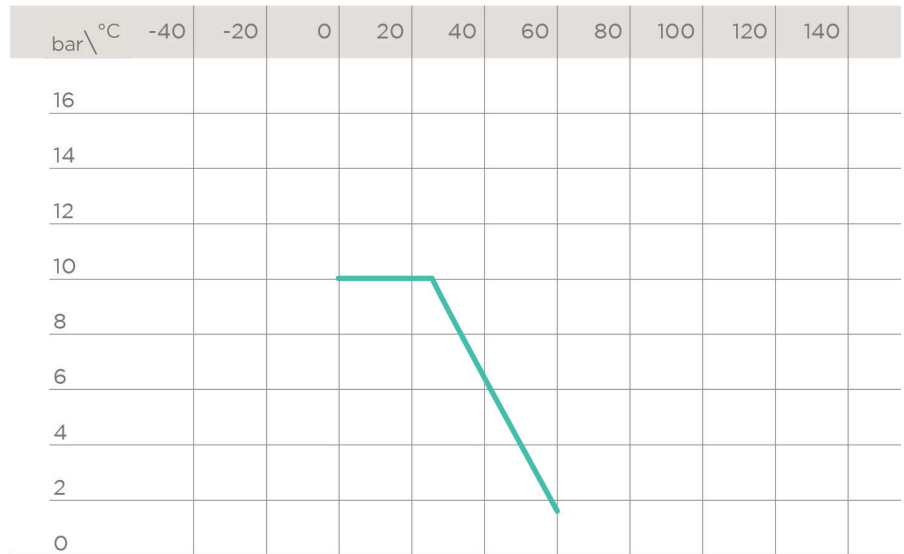
8 New valve body internal design. Substantially higher flow coefficient and lower pressure drops. The degree of efficiency reached has also enabled the size and weight of the valve to be reduced. Adjustment linearity: the internal profiles of the valve greatly improve its characteristic curve, allowing extremely sensitive and precise adjustment along the entire length of the shutter stroke.

TECHNICAL DATA

PRESSURE VARIATION ACCORDING TO TEMPERATURE

PVC-U BODY

For water and non-hazardous fluids with regard to which the material is classified as CHEMICALLY RESISTANT. In other cases, a reduction of the nominal pressure PN is required (25 years with safety factor).



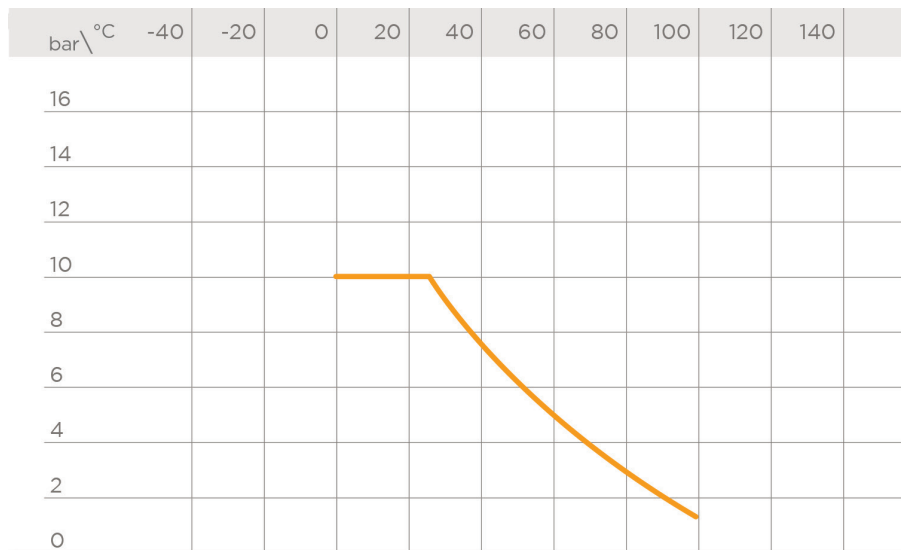
PVC-C BODY

For water and non-hazardous fluids with regard to which the material is classified as CHEMICALLY RESISTANT. In other cases, a reduction of the nominal pressure PN is required (25 years with safety factor).



PP-H BODY

For water and non-hazardous fluids with regard to which the material is classified as CHEMICALLY RESISTANT. In other cases, a reduction of the nominal pressure PN is required (25 years with safety factor).

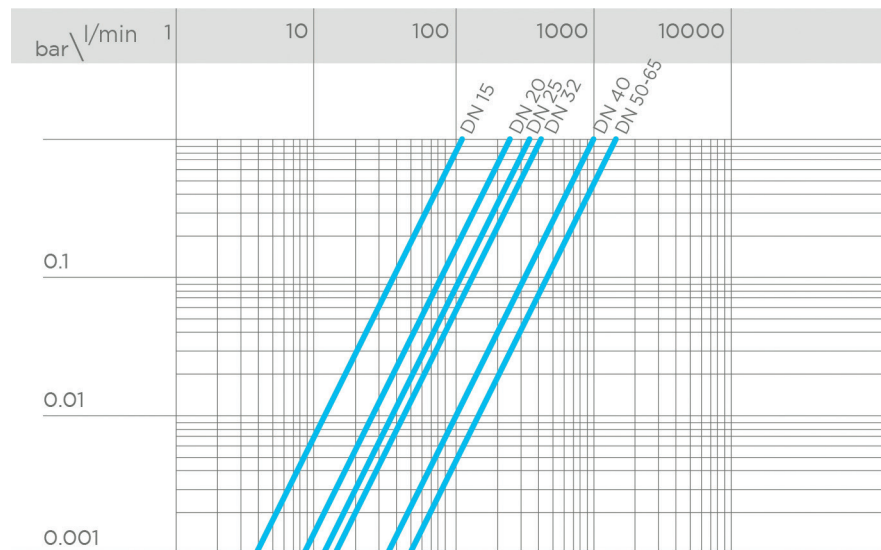


PVDF BODY

For water and non-hazardous fluids with regard to which the material is classified as CHEMICALLY RESISTANT. In other cases, a reduction of the nominal pressure PN is required (25 years with safety factor).



PRESSURE DROP GRAPH



K_V100 FLOW COEFFICIENT

The K_V100 flow coefficient is the Q flow of litres per minute of water at a temperature of 20°C that will generate Δp= 1 bar pressure drop at a certain valve position.

The K_V100 values shown in the table are calculated with the valve completely open.

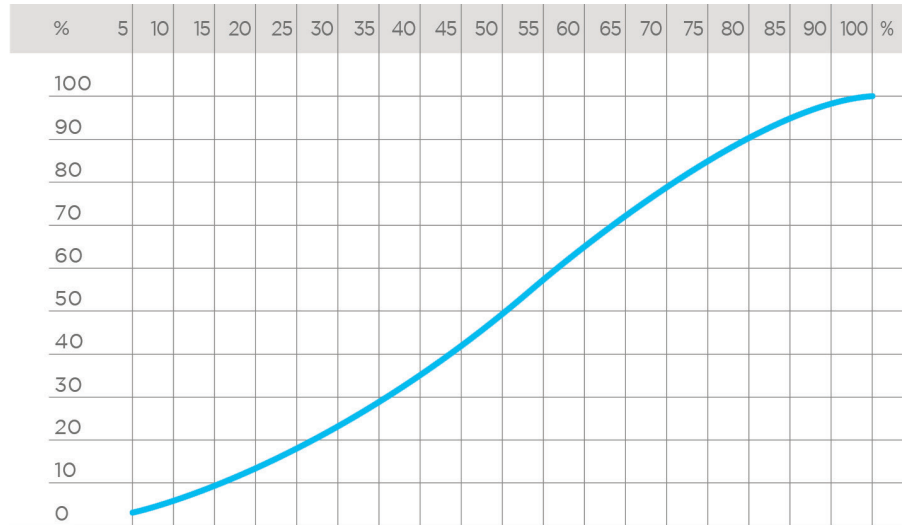
DN	15	20	25	32	40	50	65
Kv100 l/min	112	261	445	550	1087	1648	1600

RELATIVE FLOW COEFFICIENT GRAPH

The relative flow coefficient is the flow rate through the valve as a function of the degree of valve opening.

X axis: Opening percentage of the valve

Y axis: Relative flow coefficient

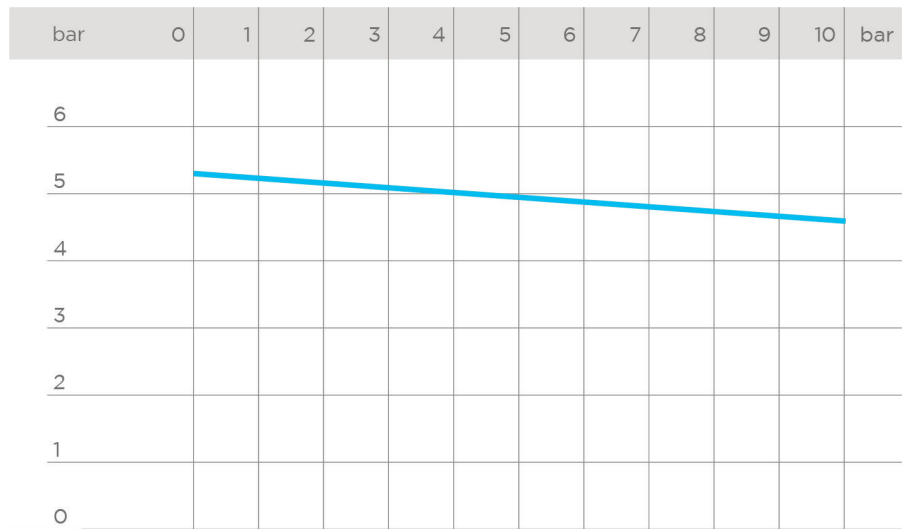


CONTROL PRESSURE ACCORDING TO DK/CP NC WORKING PRESSURE

Minimum control pressure according to working pressure with EPDM/FKM diaphragm

X axis: Working pressure

Y axis: Control pressure

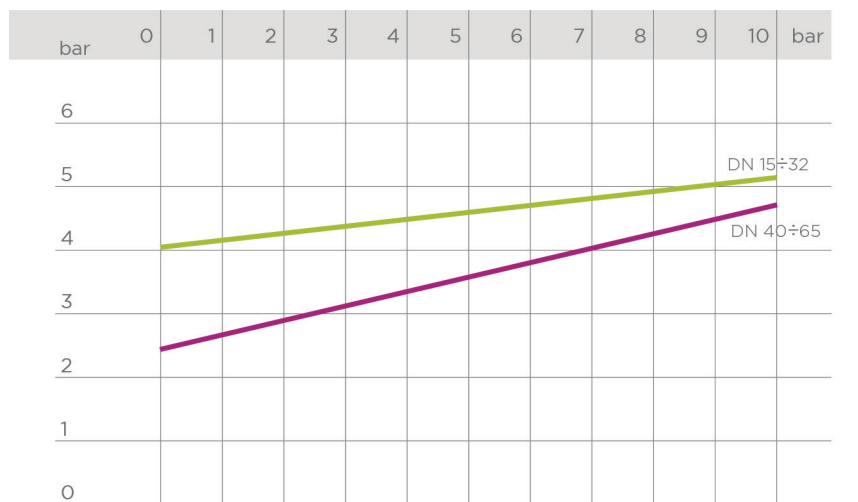


CONTROL PRESSURE ACCORDING TO DK/CP NO WORKING PRESSURE

Minimum control pressure according to working pressure with EPDM/FKM diaphragm

X axis: Working pressure

Y axis: Control pressure

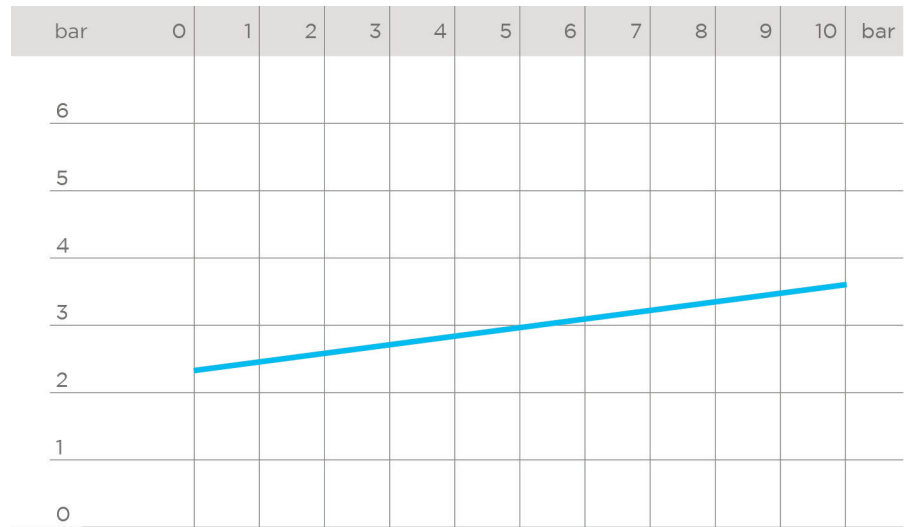


CONTROL PRESSURE ACCORDING TO DK/CP DA WORKING PRESSURE

Minimum control pressure according
to working pressure with EPDM/FKM
diaphragm

X axis: Working pressure

Y axis: Control pressure



PNEUMATIC ACTUATOR DATA

FUNCTIONAL CHARACTERISTICS

Function type	double-acting	Normally closed (NC)	Normally Open (NO)
Valve opening	air	air	spring
Valve closing	air	spring	air

ACTUATOR CAPACITY

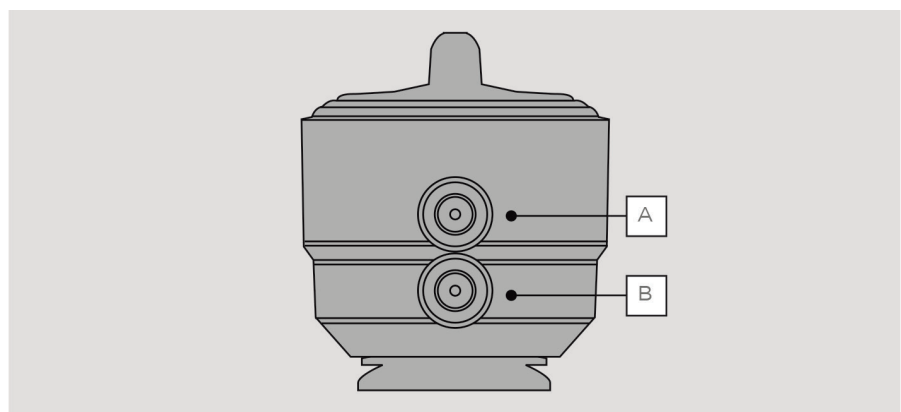
L: litre, equivalent to 10^{-3} m^3

Air consumption in normal litres (or normal cubic metres) per operating cycle can be calculated by correcting according to operating conditions such as control air pressure.

DN	15 ÷ 32	40	50 ÷ 65
NC	0.12 L	0.4 L	0.64 L
NO	0.16 L	0.41 L	0.67 L
DA	0.28 L	0.8 L	1.3 L

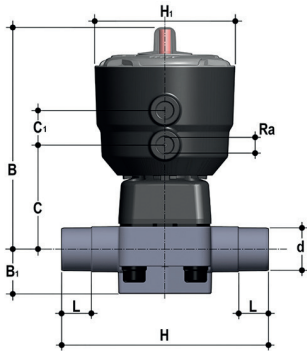
COMPRESSED AIR CONNECTIONS

Function type	Double-acting (DA)	Normally closed (NC)	Normally Open (NO)
Valve opening	Inlet B	Inlet B	-
Valve closing	Inlet A	-	Inlet A



DIMENSIONS

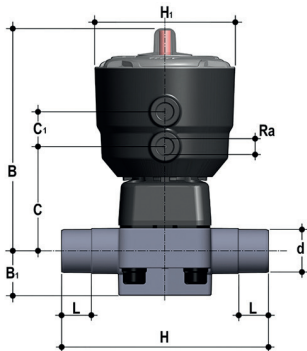
DK/CP DN 15÷65 PVC-U



DKDV/CP NC

Pneumatically actuated diaphragm valve with male ends, metric series. Normally Closed function

d	DN	PN	B	B ₁	C	C ₁	H	H ₁	L	R ₂	g	EPDM Code	FKM Code	PTFE Code
20	15	10	148	25	66	24	124	97	16	1/4"	695	DKDVNC020E	DKDVNC020F	DKDVNC020P
25	20	10	151	30	69	24	144	97	19	1/4"	717	DKDVNC025E	DKDVNC025F	DKDVNC025P
32	25	10	159	33	78	24	154	97	22	1/4"	917	DKDVNC032E	DKDVNC032F	DKDVNC032P
40	32	10	163	30	82	24	174	97	26	1/4"	961	DKDVNC040E	DKDVNC040F	DKDVNC040P
50	40	10	207	35	112	24	194	126	31	1/4"	2702	DKDVNC050E	DKDVNC050F	DKDVNC050P
63	50	10	245	46	142	24	224	157	38	1/4"	5918	DKDVNC063E	DKDVNC063F	DKDVNC063P
75	65	10	245	46	142	24	284	157	44	1/4"	6090	DKDVNC075E	DKDVNC075F	DKDVNC075P



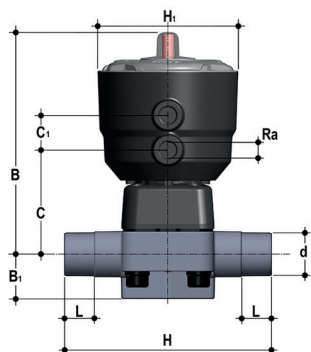
DKDV/CP NO

Pneumatically actuated diaphragm valve with male ends, metric series. Normally Open function

d	DN	PN	B	B ₁	C	C ₁	H	H ₁	L	R ₂	g	EPDM Code	FKM Code	PTFE Code
20	15	10	148	25	66	24	124	97	16	1/4"	695	DKDVNO020E	DKDVNO020F	DKDVNO020P
25	20	10	151	30	69	24	144	97	19	1/4"	717	DKDVNO025E	DKDVNO025F	DKDVNO025P
32	25	10	159	33	78	24	154	97	22	1/4"	917	DKDVNO032E	DKDVNO032F	DKDVNO032P
40	32	10	163	30	82	24	174	97	26	1/4"	961	DKDVNO040E	DKDVNO040F	DKDVNO040P
50	40	10	207	35	112	24	194	126	31	1/4"	2242	DKDVNO050E	DKDVNO050F	DKDVNO050P
63	50	10	245	46	142	24	224	157	38	1/4"	4136	DKDVNO063E	DKDVNO063F	DKDVNO063P
75	65	10	245	46	142	24	284	157	44	1/4"	4308	DKDVNO075E	DKDVNO075F	DKDVNO075P

DIMENSIONS

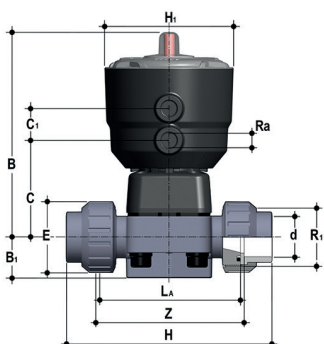
DK/CP DN 15÷65 PVC-U



DKDV/CP DA

Pneumatically actuated diaphragm valve with male ends, metric series. Double-Acting function

d	DN	PN	B	B ₁	C	C ₁	H	H ₁	L	R ₂	g	EPDM Code	FKM Code	PTFE Code
20	15	10	148	25	66	24	124	97	16	1/4"	575	DKDVDA020E	DKDVDA020F	DKDVDA020P
25	20	10	151	30	69	24	144	97	19	1/4"	597	DKDVDA025E	DKDVDA025F	DKDVDA025P
32	25	10	159	33	78	24	154	97	22	1/4"	797	DKDVDA032E	DKDVDA032F	DKDVDA032P
40	32	10	163	30	82	24	174	97	26	1/4"	841	DKDVDA040E	DKDVDA040F	DKDVDA040P
50	40	10	207	35	112	24	194	126	31	1/4"	2000	DKDVDA050E	DKDVDA050F	DKDVDA050P
63	50	10	245	46	142	24	224	157	38	1/4"	3698	DKDVDA063E	DKDVDA063F	DKDVDA063P
75	65	10	245	46	142	24	284	157	44	1/4"	3870	DKDVDA075E	DKDVDA075F	DKDVDA075P



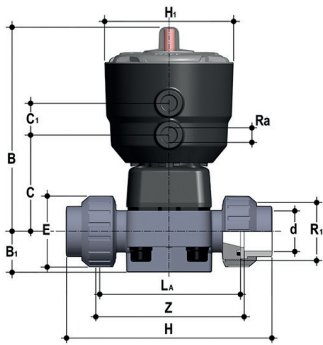
DKUIV/CP NC

Pneumatically actuated diaphragm valve with female union ends, metric series. Normally Closed function

d	DN	PN	B	B ₁	C	C ₁	E	H	H ₁	L ₁	R ₁	R ₂	Z	g	EPDM Code	FKM Code	PTFE Code
20	15	10	148	25	66	24	41	129	97	90	1"	1/4"	100	735	DKUIVNC020E	DKUIVNC020F	DKUIVNC020P
25	20	10	151	30	69	24	50	154	97	108	1 1/4"	1/4"	116	797	DKUIVNC025E	DKUIVNC025F	DKUIVNC025P
32	25	10	159	33	78	24	58	168	97	116	1 1/2"	1/4"	124	1025	DKUIVNC032E	DKUIVNC032F	DKUIVNC032P
40	32	10	163	30	82	24	72	192	97	134	2"	1/4"	140	1151	DKUIVNC040E	DKUIVNC040F	DKUIVNC040P
50	40	10	207	35	112	24	79	222	126	154	2 1/4"	1/4"	160	2922	DKUIVNC050E	DKUIVNC050F	DKUIVNC050P
63	50	10	245	46	142	24	98	266	157	184	2 3/4"	1/4"	190	6304	DKUIVNC063E	DKUIVNC063F	DKUIVNC063P

DIMENSIONS

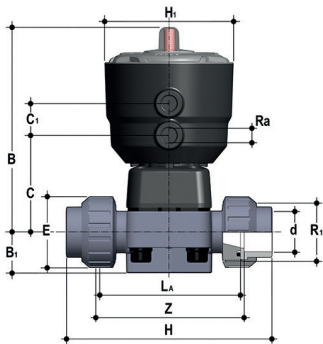
DK/CP DN 15÷65 PVC-U



DKUIV/CP NO

Pneumatically actuated diaphragm valve with female union ends, metric series. Normally Open function

d	DN	PN	B	B ₁	C	C ₁	E	H	H ₁	L ₀	R ₁	R ₂	Z	g	EPDM Code	FKM Code	PTFE Code
20	15	10	148	25	66	24	41	129	97	90	1"	1/4"	100	735	DKUIVNO020E	DKUIVNO020F	DKUIVNO020P
25	20	10	151	30	69	24	50	154	97	108	1 1/4"	1/4"	116	797	DKUIVNO025E	DKUIVNO025F	DKUIVNO025P
32	25	10	159	33	78	24	58	168	97	116	1 1/2"	1/4"	124	1025	DKUIVNO032E	DKUIVNO032F	DKUIVNO032P
40	32	10	163	30	82	24	72	192	97	134	2"	1/4"	140	1151	DKUIVNO040E	DKUIVNO040F	DKUIVNO040P
50	40	10	207	35	112	24	79	222	126	154	2 1/4"	1/4"	160	2462	DKUIVNO050E	DKUIVNO050F	DKUIVNO050P
63	50	10	245	46	142	24	98	266	157	184	2 3/4"	1/4"	190	4522	DKUIVNO063E	DKUIVNO063F	DKUIVNO063P



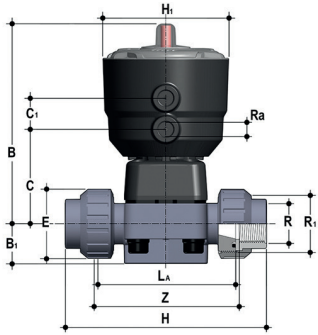
DKUIV/CP DA

Pneumatically actuated diaphragm valve with female union ends, metric series. Double-Acting function

d	DN	PN	B	B ₁	C	C ₁	E	H	H ₁	L ₀	R ₁	R ₂	Z	g	EPDM Code	FKM Code	PTFE Code
20	15	10	148	25	66	24	41	129	97	90	1"	1/4"	100	615	DKUIVDA020E	DKUIVDA020F	DKUIVDA020P
25	20	10	151	30	69	24	50	154	97	108	1 1/4"	1/4"	116	677	DKUIVDA025E	DKUIVDA025F	DKUIVDA025P
32	25	10	159	33	78	24	58	168	97	116	1 1/2"	1/4"	124	905	DKUIVDA032E	DKUIVDA032F	DKUIVDA032P
40	32	10	163	30	82	24	72	192	97	134	2"	1/4"	140	1031	DKUIVDA040E	DKUIVDA040F	DKUIVDA040P
50	40	10	207	35	112	24	79	222	126	154	2 1/4"	1/4"	160	2220	DKUIVDA050E	DKUIVDA050F	DKUIVDA050P
63	50	10	245	46	142	24	98	266	157	184	2 3/4"	1/4"	190	4084	DKUIVDA063E	DKUIVDA063F	DKUIVDA063P

DIMENSIONS

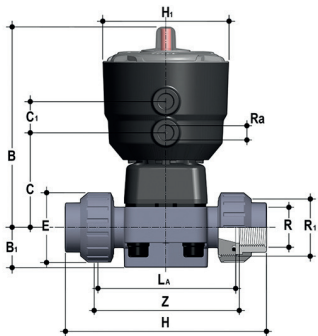
DK/CP DN 15÷65 PVC-U



DKUFV/CP NC

Pneumatically actuated diaphragm valve with BSP threaded female union ends. Normally Closed function

R	DN	PN	B	B ₁	C	C ₁	E	H	H ₁	L ₀	R ₁	R ₂	Z	g	EPDM Code	FKM Code	PTFE Code
1/2"	15	10	148	25	66	24	41	131	97	90	1"	1/4"	97	735	DKUFVNC012E	DKUFVNC012F	DKUFVNC012P
3/4"	20	10	151	30	69	24	50	151	97	108	1 1/4"	1/4"	118	797	DKUFVNC034E	DKUFVNC034F	DKUFVNC034P
1"	25	10	159	33	78	24	58	165	97	116	1 1/2"	1/4"	127	1025	DKUFVNC100E	DKUFVNC100F	DKUFVNC100P
1 1/4"	32	10	163	30	82	24	72	188	97	134	2"	1/4"	145	1151	DKUFVNC114E	DKUFVNC114F	DKUFVNC114P
1 1/2"	40	10	207	35	112	24	79	208	126	154	2 1/2"	1/4"	165	2922	DKUFVNC112E	DKUFVNC112F	DKUFVNC112P
2"	50	10	245	46	142	24	98	246	157	184	2 3/4"	1/4"	195	6304	DKUFVNC200E	DKUFVNC200F	DKUFVNC200P



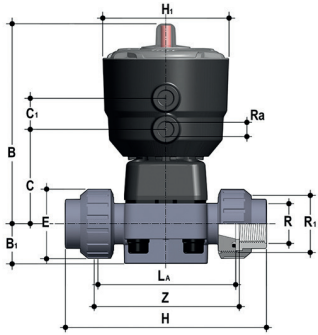
DKUFV/CP NO

Pneumatically actuated diaphragm valve with BSP threaded female union ends. Normally Open function

R	DN	PN	B	B ₁	C	C ₁	E	H	H ₁	L ₀	R ₁	R ₂	Z	g	EPDM Code	FKM Code	PTFE Code
1/2"	15	10	148	25	66	24	41	131	97	90	1"	1/4"	97	735	DKUFVNO012E	DKUFVNO012F	DKUFVNO012P
3/4"	20	10	151	30	69	24	50	151	97	108	1 1/4"	1/4"	118	797	DKUFVNO034E	DKUFVNO034F	DKUFVNO034P
1"	25	10	159	33	78	24	58	165	97	116	1 1/2"	1/4"	127	1025	DKUFVNO100E	DKUFVNO100F	DKUFVNO100P
1 1/4"	32	10	163	30	82	24	72	188	97	134	2"	1/4"	145	1151	DKUFVNO114E	DKUFVNO114F	DKUFVNO114P
1 1/2"	40	10	207	35	112	24	79	208	126	154	2 1/2"	1/4"	165	2462	DKUFVNO112E	DKUFVNO112F	DKUFVNO112P
2"	50	10	245	46	142	24	98	246	157	184	2 3/4"	1/4"	195	4522	DKUFVNO200E	DKUFVNO200F	DKUFVNO200P

DIMENSIONS

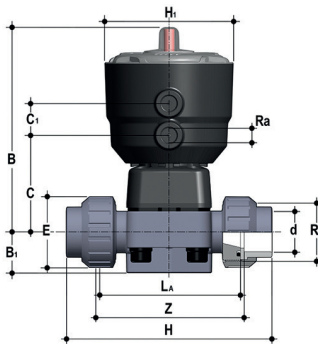
DK/CP DN 15÷65 PVC-U



DKUFV/CP DA

Pneumatically actuated diaphragm valve with BSP threaded female union ends. Double-Acting function

R	DN	PN	B	B ₁	C	C ₁	E	H	H ₁	L ₀	R ₁	R ₂	Z	g	EPDM Code	FKM Code	PTFE Code
1/2"	15	10	148	25	66	24	41	131	97	90	1"	1/4"	97	615	DKUFVDA012E	DKUFVDA012F	DKUFVDA012P
3/4"	20	10	151	30	69	24	50	151	97	108	1 1/4"	1/4"	118	677	DKUFVDA034E	DKUFVDA034F	DKUFVDA034P
1"	25	10	159	33	78	24	58	165	97	116	1 1/2"	1/4"	127	905	DKUFVDA100E	DKUFVDA100F	DKUFVDA100P
1 1/4"	32	10	163	30	82	24	72	188	97	134	2"	1/4"	145	1031	DKUFVDA114E	DKUFVDA114F	DKUFVDA114P
1 1/2"	40	10	207	35	112	24	79	208	126	154	2 1/2"	1/4"	165	2220	DKUFVDA112E	DKUFVDA112F	DKUFVDA112P
2"	50	10	245	46	142	24	98	246	157	184	2 3/4"	1/4"	195	4084	DKUFVDA200E	DKUFVDA200F	DKUFVDA200P



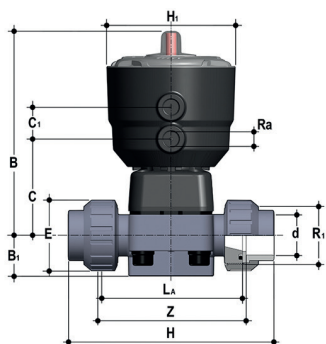
DKUAV/CP NC

Pneumatically actuated diaphragm valve with female union ends for solvent welding, ASTM series Normally Closed function

R	DN	PN	B	B ₁	C	C ₁	E	H	H ₁	L ₀	R ₁	R ₂	Z	g	EPDM Code	FKM Code	PTFE Code
1/2"	15	10	148	25	66	24	41	143	97	90	1"	1/4"	98	735	DKUAVNC012E	DKUAVNC012F	DKUAVNC012P
3/4"	20	10	151	30	69	24	50	167	97	108	1 1/4"	1/4"	115	797	DKUAVNC034E	DKUAVNC034F	DKUAVNC034P
1"	25	10	159	33	78	24	58	180	97	116	1 1/2"	1/4"	122	1025	DKUAVNC100E	DKUAVNC100F	DKUAVNC100P
1 1/4"	32	10	163	30	82	24	72	208	97	134	2"	1/4"	144	1151	DKUAVNC114E	DKUAVNC114F	DKUAVNC114P
1 1/2"	40	10	207	35	112	24	79	234	126	154	2 1/2"	1/4"	164	2922	DKUAVNC112E	DKUAVNC112F	DKUAVNC112P
2"	50	10	245	46	142	24	98	272	157	184	2 3/4"	1/4"	195	6304	DKUAVNC200E	DKUAVNC200F	DKUAVNC200P

DIMENSIONS

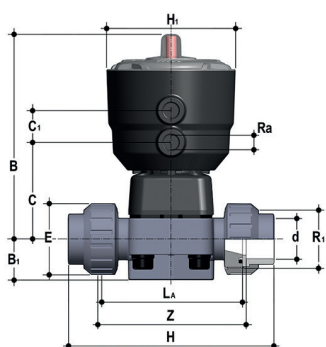
DK/CP DN 15÷65 PVC-U



DKUAV/CP NO

Pneumatically actuated diaphragm valve with female union ends for solvent welding, ASTM series Normally Open function

R	DN	PN	B	B ₁	C	C ₁	E	H	H ₁	L ₁	R ₁	R ₂	Z	g	EPDM Code	FKM Code	PTFE Code
1/2"	15	10	148	25	66	24	41	143	97	90	1"	1/4"	98	735	DKUAVNO012E	DKUAVNO012F	DKUAVNO012P
3/4"	20	10	151	30	69	24	50	167	97	108	1 1/4"	1/4"	115	797	DKUAVNO034E	DKUAVNO034F	DKUAVNO034P
1"	25	10	159	33	78	24	58	180	97	116	1 1/2"	1/4"	122	1025	DKUAVNO100E	DKUAVNO100F	DKUAVNO100P
1 1/4"	32	10	163	30	82	24	72	208	97	134	2"	1/4"	144	1151	DKUAVNO114E	DKUAVNO114F	DKUAVNO114P
1 1/2"	40	10	207	35	112	24	79	234	126	154	2 1/2"	1/4"	164	2462	DKUAVNO112E	DKUAVNO112F	DKUAVNO112P
2"	50	10	245	46	142	24	98	272	157	184	2 3/4"	1/4"	195	4522	DKUAVNO200E	DKUAVNO200F	DKUAVNO200P



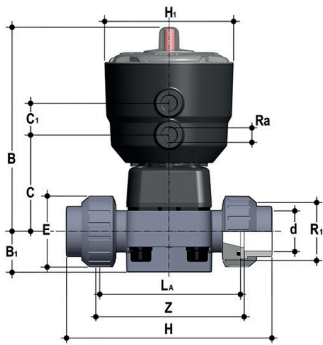
DKUAV/CP DA

Pneumatically actuated diaphragm valve with female union ends for solvent welding, ASTM series Double-Acting function

R	DN	PN	B	B ₁	C	C ₁	E	H	H ₁	L ₁	R ₁	R ₂	Z	g	EPDM Code	FKM Code	PTFE Code
1/2"	15	10	148	25	66	24	41	143	97	90	1"	1/4"	98	615	DKUAVDA012E	DKUAVDA012F	DKUAVDA012P
3/4"	20	10	151	30	69	24	50	167	97	108	1 1/4"	1/4"	115	677	DKUAVDA034E	DKUAVDA034F	DKUAVDA034P
1"	25	10	159	33	78	24	58	180	97	116	1 1/2"	1/4"	122	905	DKUAVDA100E	DKUAVDA100F	DKUAVDA100P
1 1/4"	32	10	163	30	82	24	72	208	97	134	2"	1/4"	144	1031	DKUAVDA114E	DKUAVDA114F	DKUAVDA114P
1 1/2"	40	10	207	35	112	24	79	234	126	154	2 1/2"	1/4"	164	2220	DKUAVDA112E	DKUAVDA112F	DKUAVDA112P
2"	50	10	245	46	142	24	98	272	157	184	2 3/4"	1/4"	195	4084	DKUAVDA200E	DKUAVDA200F	DKUAVDA200P

DIMENSIONS

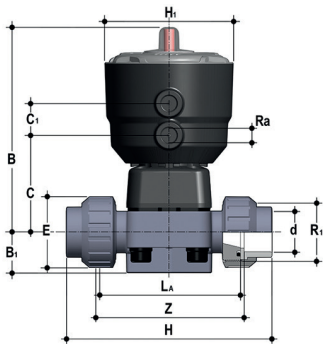
DK/CP DN 15÷65 PVC-U



DKULV/CP NC

Pneumatically actuated diaphragm valve with female union ends for solvent welding, BS series
Normally Closed function

d	DN	PN	B	B ₁	C	C ₁	E	H	H ₁	L ₁	R ₁	R ₂	Z	g	EPDM Code	FKM Code	PTFE Code
1/2"	15	10	148	25	66	24	41	131	97	90	1"	1/4"	97	735	DKULVNC012E	DKULVNC012F	DKULVNC012P
3/4"	20	10	151	30	69	24	50	154	97	108	1 1/4"	1/4"	116	797	DKULVNC034E	DKULVNC034F	DKULVNC034P
1"	25	10	159	33	78	24	58	166	97	116	1 1/2"	1/4"	121	1025	DKULVNC100E	DKULVNC100F	DKULVNC100P
1 1/4"	32	10	163	30	82	24	72	194	97	134	2"	1/4"	142	1151	DKULVNC114E	DKULVNC114F	DKULVNC114P
1 1/2"	40	10	207	35	112	24	79	222	126	154	2 1/4"	1/4"	162	2922	DKULVNC112E	DKULVNC112F	DKULVNC112P
2"	50	10	245	46	142	24	98	266	157	184	2 3/4"	1/4"	194	6304	DKULVNC200E	DKULVNC200F	DKULVNC200P



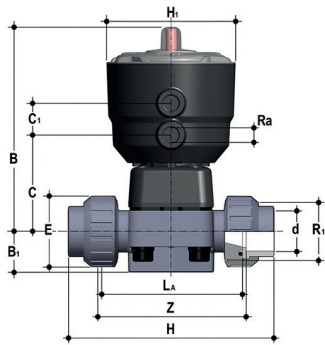
DKULV/CP NO

Pneumatically actuated diaphragm valve with female union ends for solvent welding, BS series
Normally Open function

d	DN	PN	B	B ₁	C	C ₁	E	H	H ₁	L ₁	R ₁	R ₂	Z	g	EPDM Code	FKM Code	PTFE Code
1/2"	15	10	148	25	66	24	41	131	97	90	1"	1/4"	97	735	DKULVNO012E	DKULVNO012F	DKULVNO012P
3/4"	20	10	151	30	69	24	50	154	97	108	1 1/4"	1/4"	116	797	DKULVNO034E	DKULVNO034F	DKULVNO034P
1"	25	10	159	33	78	24	58	166	97	116	1 1/2"	1/4"	121	1025	DKULVNO100E	DKULVNO100F	DKULVNO100P
1 1/4"	32	10	163	30	82	24	72	194	97	134	2"	1/4"	142	1151	DKULVNO114E	DKULVNO114F	DKULVNO114P
1 1/2"	40	10	207	35	112	24	79	222	126	154	2 1/4"	1/4"	162	2462	DKULVNO112E	DKULVNO112F	DKULVNO112P
2"	50	10	245	46	142	24	98	266	157	184	2 3/4"	1/4"	194	4522	DKULVNO200E	DKULVNO200F	DKULVNO200P

DIMENSIONS

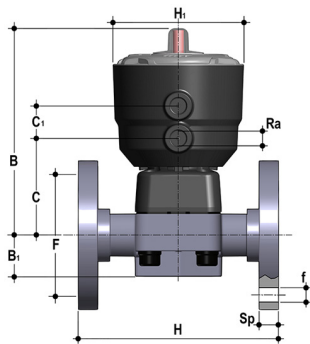
DK/CP DN 15÷65 PVC-U



DKULV/CP DA

Pneumatically actuated diaphragm valve with female union ends for solvent welding, BS series
Double-Acting function

d	DN	PN	B	B ₁	C	C ₁	E	H	H ₁	L ₁	R ₁	R ₂	Z	g	EPDM Code	FKM Code	PTFE Code
1/2"	15	10	148	25	66	24	41	131	97	90	1"	1/4"	97	615	DKULVDA012E	DKULVDA012F	DKULVDA012P
3/4"	20	10	151	30	69	24	50	154	97	108	1 1/4"	1/4"	116	677	DKULVDA034E	DKULVDA034F	DKULVDA034P
1"	25	10	159	33	78	24	58	166	97	116	1 1/2"	1/4"	121	905	DKULVDA100E	DKULVDA100F	DKULVDA100P
1 1/4"	32	10	163	30	82	24	72	194	97	134	2"	1/4"	142	1031	DKULVDA114E	DKULVDA114F	DKULVDA114P
1 1/2"	40	10	207	35	112	24	79	222	126	154	2 1/4"	1/4"	162	2220	DKULVDA112E	DKULVDA112F	DKULVDA112P
2"	50	10	245	46	142	24	98	266	157	184	2 3/4"	1/4"	194	4084	DKULVDA200E	DKULVDA200F	DKULVDA200P



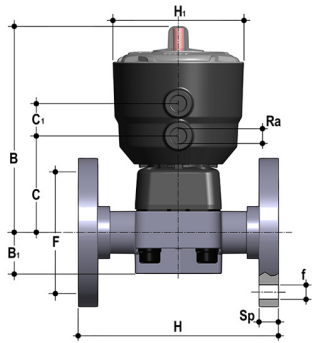
DKOV/CP NC

Pneumatically actuated diaphragm valve with monolithic flanged body, drilled PN10/16. Face to face according to EN 558-1. Normally Closed function

d	DN	PN	B	B ₁	C	C ₁	F	Øf	H	H ₁	R ₁	U	Sp	g	EPDM Code	FKM Code	PTFE Code
20	15	10	148	25	66	24	65	14	130	97	1/4"	4	13.5	925	DKOVNC020E	DKOVNC020F	DKOVNC020P
25	20	10	151	30	69	24	75	14	150	97	1/4"	4	13.5	1005	DKOVNC025E	DKOVNC025F	DKOVNC025P
32	25	10	159	33	78	24	85	14	160	97	1/4"	4	13.5	1271	DKOVNC032E	DKOVNC032F	DKOVNC032P
40	32	10	163	30	82	24	100	18	180	97	1/4"	4	14	1461	DKOVNC040E	DKOVNC040F	DKOVNC040P
50	40	10	207	35	112	24	110	18	200	126	1/4"	4	16	3336	DKOVNC050E	DKOVNC050F	DKOVNC050P
63	50	10	245	46	142	24	125	18	230	157	1/4"	4	16	6671	DKOVNC063E	DKOVNC063F	DKOVNC063P
75	65	10	245	46	142	24	145	18	290	157	1/4"	4	21	7272	DKOVNC075E	DKOVNC075F	DKOVNC075P

DIMENSIONS

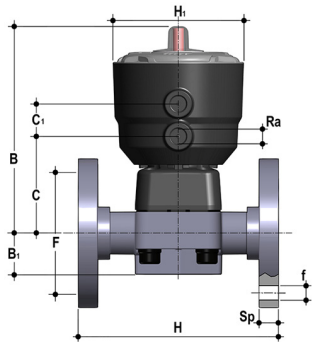
DK/CP DN 15÷65 PVC-U



DKOV/CP NO

Pneumatically actuated diaphragm valve with monolithic flanged body, drilled PN10/16. Face to face according to EN 558-1. Normally Open function

d	DN	PN	B	B ₁	C	C ₁	F	Øf	H	H ₁	R _a	U	Sp	g	EPDM Code	FKM Code	PTFE Code
20	15	10	148	25	66	24	65	14	130	97	1/4"	4	13.5	925	DKOVNO020E	DKOVNO020F	DKOVNO020P
25	20	10	151	30	69	24	75	14	150	97	1/4"	4	13.5	1005	DKOVNO025E	DKOVNO025F	DKOVNO025P
32	25	10	159	33	78	24	85	14	160	97	1/4"	4	13.5	1271	DKOVNO032E	DKOVNO032F	DKOVNO032P
40	32	10	163	30	82	24	100	18	180	97	1/4"	4	14	1461	DKOVNO040E	DKOVNO040F	DKOVNO040P
50	40	10	207	35	112	24	110	18	200	126	1/4"	4	16	2876	DKOVNO050E	DKOVNO050F	DKOVNO050P
63	50	10	245	46	142	24	125	18	230	157	1/4"	4	16	4889	DKOVNO063E	DKOVNO063F	DKOVNO063P
75	65	10	245	46	142	24	145	18	290	157	1/4"	4	21	5490	DKOVNO075E	DKOVNO075F	DKOVNO075P



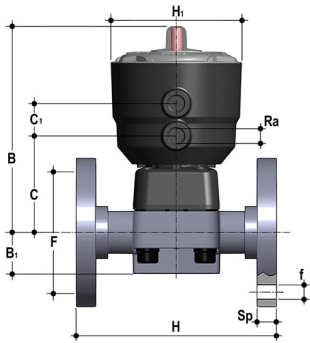
DKOV/CP DA

Pneumatically actuated diaphragm valve with monolithic flanged body, drilled PN10/16. Face to face according to EN 558-1. Double-Acting function

d	DN	PN	B	B ₁	C	C ₁	F	Øf	H	H ₁	R _a	U	Sp	g	EPDM Code	FKM Code	PTFE Code
20	15	10	148	25	66	24	65	14	130	97	1/4"	4	13.5	805	DKOVDA020E	DKOVDA020F	DKOVDA020P
25	20	10	151	30	69	24	75	14	150	97	1/4"	4	13.5	875	DKOVDA025E	DKOVDA025F	DKOVDA025P
32	25	10	159	33	78	24	85	14	160	97	1/4"	4	13.5	1151	DKOVDA032E	DKOVDA032F	DKOVDA032P
40	32	10	163	30	82	24	100	18	180	97	1/4"	4	14	1351	DKOVDA040E	DKOVDA040F	DKOVDA040P
50	40	10	207	35	112	24	110	18	200	126	1/4"	4	16	2634	DKOVDA050E	DKOVDA050F	DKOVDA050P
63	50	10	245	46	142	24	125	18	230	157	1/4"	4	16	4451	DKOVDA063E	DKOVDA063F	DKOVDA063P
75	65	10	245	46	142	24	145	18	290	157	1/4"	4	21	5052	DKOVDA075E	DKOVDA075F	DKOVDA075P

DIMENSIONS

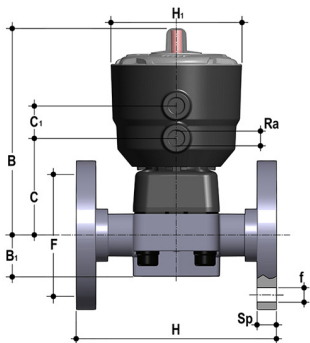
DK/CP DN 15÷65 PVC-U



DKOAV/CP NC

Pneumatically actuated diaphragm valve with monolithic flanged body, drilled ANSI B16.5 cl. 150 #FF. Normally Closed function

d	DN	PN	B	B ₁	C	C ₁	F	Øf	H	H ₁	R ₂	U	Sp	g	EPDM Code	FKM Code	PTFE Code
1/2"	15	10	148	25	66	24	60.30	14	108	97	1/4"	4	13.5	925	DKOAVNC012E	DKOAVNC012F	DKOAVNC012P
3/4"	20	10	151	30	69	24	69.90	15.7	120	97	1/4"	4	13.5	1005	DKOAVNC034E	DKOAVNC034F	DKOAVNC034P
1"	25	10	159	33	78	24	79.40	15.7	131	97	1/4"	4	13.5	1271	DKOAVNC100E	DKOAVNC100F	DKOAVNC100P
1" 1/4	32	10	163	30	82	24	88.90	15.7	162	97	1/4"	4	14	1461	DKOAVNC114E	DKOAVNC114F	DKOAVNC114P
1" 1/2	40	10	207	35	112	24	98.40	15.7	180	126	1/4"	4	16	3336	DKOAVNC112E	DKOAVNC112F	DKOAVNC112P
2"	50	10	245	46	142	24	120.70	19	210	157	1/4"	4	16	6671	DKOAVNC200E	DKOAVNC200F	DKOAVNC200P
2" 1/2	65	10	245	46	142	24	139.70	19	250	157	1/4"	4	21	7272	DKOAVNC212E	DKOAVNC212F	DKOAVNC212P



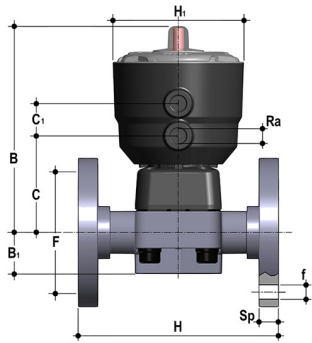
DKOAV/CP NO

Pneumatically actuated diaphragm valve with monolithic flanged body, drilled ANSI B16.5 cl. 150 #FF. Normally Open function

d	DN	PN	B	B ₁	C	C ₁	F	Øf	H	H ₁	R ₂	U	Sp	g	EPDM Code	FKM Code	PTFE Code
1/2"	15	10	148	25	66	24	60.30	14	108	97	1/4"	4	13.5	925	DKOAVNO012E	DKOAVNO012F	DKOAVNO012P
3/4"	20	10	151	30	69	24	69.90	15.7	120	97	1/4"	4	13.5	1005	DKOAVNO034E	DKOAVNO034F	DKOAVNO034P
1"	25	10	159	33	78	24	79.40	15.7	131	97	1/4"	4	13.5	1271	DKOAVNO100E	DKOAVNO100F	DKOAVNO100P
1" 1/4	32	10	163	30	82	24	88.90	15.7	162	97	1/4"	4	14	1461	DKOAVNO114E	DKOAVNO114F	DKOAVNO114P
1" 1/2	40	10	207	35	112	24	98.40	15.7	180	126	1/4"	4	16	2876	DKOAVNO112E	DKOAVNO112F	DKOAVNO112P
2"	50	10	245	46	142	24	120.70	19	210	157	1/4"	4	16	4889	DKOAVNO200E	DKOAVNO200F	DKOAVNO200P
2" 1/2	65	10	245	46	142	24	139.70	19	250	157	1/4"	4	21	5490	DKOAVNO212E	DKOAVNO212F	DKOAVNO212P

DIMENSIONS

DK/CP DN 15÷65 PVC-U



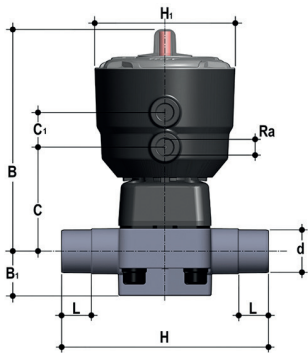
DKOAV/CP DA

Pneumatically actuated diaphragm valve with monolithic flanged body, drilled ANSI B16.5 cl. 150 #FF. Double-Acting function

d	DN	PN	B	B ₁	C	C ₁	F	Øf	H	H ₁	R _a	U	Sp	g	EPDM Code	FKM Code	PTFE Code
1/2"	15	10	148	25	66	24	60.30	14	108	97	1/4"	4	13.5	805	DKOAVDA012E	DKOAVDA012F	DKOAVDA012P
3/4"	20	10	151	30	69	24	69.90	15.7	120	97	1/4"	4	13.5	875	DKOAVDA034E	DKOAVDA034F	DKOAVDA034P
1"	25	10	159	33	78	24	79.40	15.7	131	97	1/4"	4	13.5	1151	DKOAVDA100E	DKOAVDA100F	DKOAVDA100P
1" 1/4	32	10	163	30	82	24	88.90	15.7	162	97	1/4"	4	14	1351	DKOAVDA114E	DKOAVDA114F	DKOAVDA114P
1" 1/2	40	10	207	35	112	24	98.40	15.7	180	126	1/4"	4	16	2634	DKOAVDA112E	DKOAVDA112F	DKOAVDA112P
2"	50	10	245	46	142	24	120.70	19	210	157	1/4"	4	16	4451	DKOAVDA200E	DKOAVDA200F	DKOAVDA200P
2" 1/2	65	10	245	46	142	24	139.70	19	250	157	1/4"	4	21	5052	DKOAVDA212E	DKOAVDA212F	DKOAVDA212P

DIMENSIONS

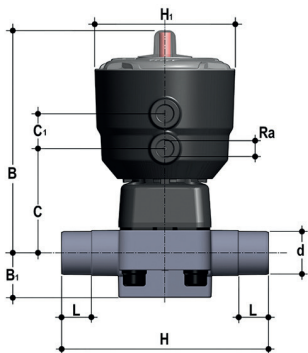
DK/CP DN 15÷65 PVC-C



DKDC/CP NC

Pneumatically actuated diaphragm valve with male ends for solvent welding, metric series.
Normally Closed function

d	DN	PN	B	B ₁	C	C ₁	H	H ₁	L	R ₂	g	EPDM Code	FKM Code	PTFE Code
20	15	10	148	25	66	24	124	97	16	1/4"	701	DKDCNC020E	DKDCNC020F	DKDCNC020P
25	20	10	151	30	69	24	144	97	19	1/4"	726	DKDCNC025E	DKDCNC025F	DKDCNC025P
32	25	10	159	33	78	24	154	97	22	1/4"	931	DKDCNC032E	DKDCNC032F	DKDCNC032P
40	32	10	163	30	82	24	174	97	26	1/4"	978	DKDCNC040E	DKDCNC040F	DKDCNC040P
50	40	10	207	35	112	24	194	126	31	1/4"	2736	DKDCNC050E	DKDCNC050F	DKDCNC050P
63	50	10	245	46	142	24	224	157	38	1/4"	5974	DKDCNC063E	DKDCNC063F	DKDCNC063P
75	65	10	245	46	142	24	284	157	44	1/4"	6155	DKDCNC075E	DKDCNC075F	DKDCNC075P



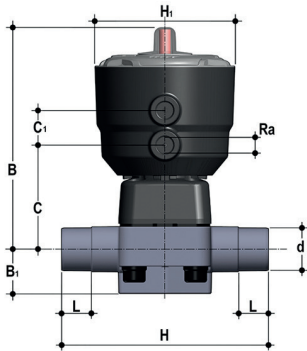
DKDC/CP NO

Pneumatically actuated diaphragm valve with male ends for solvent welding, metric series.
Normally Open function

d	DN	PN	B	B ₁	C	C ₁	H	H ₁	L	R ₂	g	EPDM Code	FKM Code	PTFE Code
20	15	10	148	25	66	24	124	97	16	1/4"	701	DKDCNO020E	DKDCNO020F	DKDCNO020P
25	20	10	151	30	69	24	144	97	19	1/4"	726	DKDCNO025E	DKDCNO025F	DKDCNO025P
32	25	10	159	33	78	24	154	97	22	1/4"	931	DKDCNO032E	DKDCNO032F	DKDCNO032P
40	32	10	163	30	82	24	174	97	26	1/4"	978	DKDCNO040E	DKDCNO040F	DKDCNO040P
50	40	10	207	35	112	24	194	126	31	1/4"	2276	DKDCNO050E	DKDCNO050F	DKDCNO050P
63	50	10	245	46	142	24	224	157	38	1/4"	4192	DKDCNO063E	DKDCNO063F	DKDCNO063P
75	65	10	245	46	142	24	284	157	44	1/4"	4373	DKDCNO075E	DKDCNO075F	DKDCNO075P

DIMENSIONS

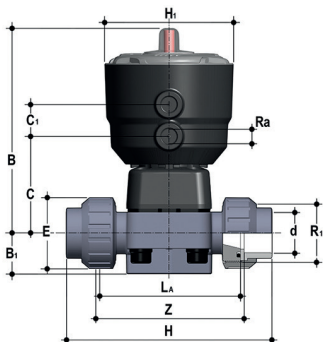
DK/CP DN 15÷65 PVC-C



DKDC/CP DA

Pneumatically actuated diaphragm valve with male ends for solvent welding, metric series.
Double-Acting function

d	DN	PN	B	B ₁	C	C ₁	H	H ₁	L	R ₂	g	EPDM Code	FKM Code	PTFE Code
20	15	10	148	25	66	24	124	97	16	1/4"	581	DKDCDA020E	DKDCDA020F	DKDCDA020P
25	20	10	151	30	69	24	144	97	19	1/4"	606	DKDCDA025E	DKDCDA025F	DKDCDA025P
32	25	10	159	33	78	24	154	97	22	1/4"	811	DKDCDA032E	DKDCDA032F	DKDCDA032P
40	32	10	163	30	82	24	174	97	26	1/4"	858	DKDCDA040E	DKDCDA040F	DKDCDA040P
50	40	10	207	35	112	24	194	126	31	1/4"	2034	DKDCDA050E	DKDCDA050F	DKDCDA050P
63	50	10	245	46	142	24	224	157	38	1/4"	3754	DKDCDA063E	DKDCDA063F	DKDCDA063P
75	65	10	245	46	142	24	284	157	44	1/4"	3935	DKDCDA075E	DKDCDA075F	DKDCDA075P



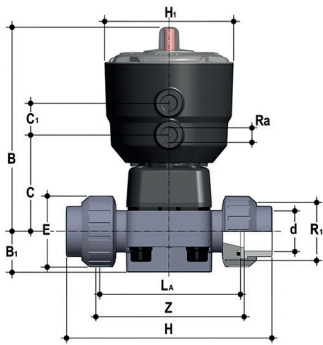
DKUIC/CP NC

Pneumatically actuated diaphragm valve with female union ends for solvent welding, metric series Normally Closed function

d	DN	PN	B	B ₁	C	C ₁	E	H	H ₁	L ₁	R ₁	R ₂	Z	g	EPDM Code	FKM Code	PTFE Code
20	15	10	148	25	66	24	41	129	97	90	1"	1/4"	100	744	DKUICNC020E	DKUICNC020F	DKUICNC020P
25	20	10	151	30	69	24	50	154	97	108	1 1/4"	1/4"	116	811	DKUICNC025E	DKUICNC025F	DKUICNC025P
32	25	10	159	33	78	24	58	168	97	116	1 1/2"	1/4"	124	1047	DKUICNC032E	DKUICNC032F	DKUICNC032P
40	32	10	163	30	82	24	72	192	97	134	2"	1/4"	140	1180	DKUICNC040E	DKUICNC040F	DKUICNC040P
50	40	10	207	35	112	24	79	222	126	154	2 1/4"	1/4"	160	2968	DKUICNC050E	DKUICNC050F	DKUICNC050P
63	50	10	245	46	142	24	98	266	157	184	2 3/4"	1/4"	190	6388	DKUICNC063E	DKUICNC063F	DKUICNC063P

DIMENSIONS

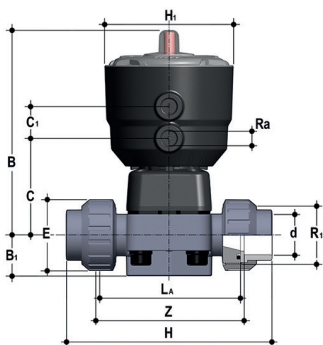
DK/CP DN 15÷65 PVC-C



DKUIC/CP NO

Pneumatically actuated diaphragm valve with female union ends for solvent welding, metric series Normally Open function

d	DN	PN	B	B ₁	C	C ₁	E	H	H ₁	L ₀	R ₁	R ₂	Z	g	EPDM Code	FKM Code	PTFE Code
20	15	10	148	25	66	24	41	129	97	90	1"	1/4"	100	744	DKUICNO020E	DKUICNO020F	DKUICNO020P
25	20	10	151	30	69	24	50	154	97	108	1 1/4"	1/4"	116	811	DKUICNO025E	DKUICNO025F	DKUICNO025P
32	25	10	159	33	78	24	58	168	97	116	1 1/2"	1/4"	124	1047	DKUICNO032E	DKUICNO032F	DKUICNO032P
40	32	10	163	30	82	24	72	192	97	134	2"	1/4"	140	1180	DKUICNO040E	DKUICNO040F	DKUICNO040P
50	40	10	207	35	112	24	79	222	126	154	2 1/4"	1/4"	160	2508	DKUICNO050E	DKUICNO050F	DKUICNO050P
63	50	10	245	46	142	24	98	266	157	184	2 3/4"	1/4"	190	4606	DKUICNO063E	DKUICNO063F	DKUICNO063P



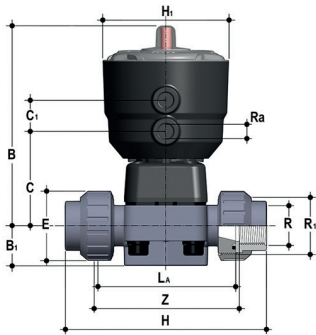
DKUIC/CP DA

Pneumatically actuated diaphragm valve with female union ends, metric series. Double-Acting function

d	DN	PN	B	B ₁	C	C ₁	E	H	H ₁	L ₀	R ₁	R ₂	Z	g	EPDM Code	FKM Code	PTFE Code
20	15	10	148	25	66	24	41	129	97	90	1"	1/4"	100	624	DKUICDA020E	DKUICDA020F	DKUICDA020P
25	20	10	151	30	69	24	50	154	97	108	1 1/4"	1/4"	116	691	DKUICDA025E	DKUICDA025F	DKUICDA025P
32	25	10	159	33	78	24	58	168	97	116	1 1/2"	1/4"	124	927	DKUICDA032E	DKUICDA032F	DKUICDA032P
40	32	10	163	30	82	24	72	192	97	134	2"	1/4"	140	1060	DKUICDA040E	DKUICDA040F	DKUICDA040P
50	40	10	207	35	112	24	79	222	126	154	2 1/4"	1/4"	160	2266	DKUICDA050E	DKUICDA050F	DKUICDA050P
63	50	10	245	46	142	24	98	266	157	184	2 3/4"	1/4"	190	4168	DKUICDA063E	DKUICDA063F	DKUICDA063P

DIMENSIONS

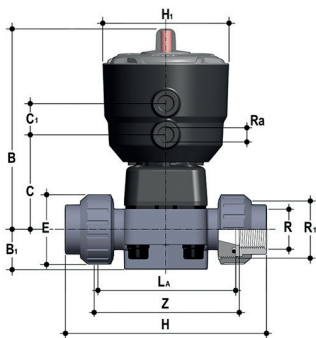
DK/CP DN 15÷65 PVC-C



DKUFC/CP NC

Pneumatically actuated diaphragm valve with BSP threaded female union ends. Normally Closed function

R	DN	PN	B	B ₁	C	C ₁	E	H	H ₁	L ₀	R ₁	R ₂	Z	g	EPDM Code	FKM Code	PTFE Code
1/2"	15	10	148	25	66	24	41	131	97	90	1"	1/4"	97	744	DKUFCNC012E	DKUFCNC012F	DKUFCNC012P
3/4"	20	10	151	30	69	24	50	151	97	108	1 1/4"	1/4"	118	811	DKUFCNC034E	DKUFCNC034F	DKUFCNC034P
1"	25	10	159	33	78	24	58	165	97	116	1 1/2"	1/4"	127	1047	DKUFCNC100E	DKUFCNC100F	DKUFCNC100P
1 1/4"	32	10	163	30	82	24	72	188	97	134	2"	1/4"	145	1180	DKUFCNC114E	DKUFCNC114F	DKUFCNC114P
1 1/2"	40	10	207	35	112	24	79	208	126	154	2 1/2"	1/4"	165	2968	DKUFCNC112E	DKUFCNC112F	DKUFCNC112P
2"	50	10	245	46	142	24	98	246	157	184	2 3/4"	1/4"	195	6388	DKUFCNC200E	DKUFCNC200F	DKUFCNC200P



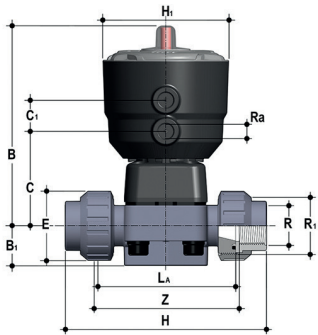
DKUFC/CP NO

Pneumatically actuated diaphragm valve with BSP threaded female union ends. Normally Open function

R	DN	PN	B	B ₁	C	C ₁	E	H	H ₁	L ₀	R ₁	R ₂	Z	g	EPDM Code	FKM Code	PTFE Code
1/2"	15	10	148	25	66	24	41	131	97	90	1"	1/4"	97	744	DKUFCNO012E	DKUFCNO012F	DKUFCNO012P
3/4"	20	10	151	30	69	24	50	151	97	108	1 1/4"	1/4"	118	811	DKUFCNO034E	DKUFCNO034F	DKUFCNO034P
1"	25	10	159	33	78	24	58	165	97	116	1 1/2"	1/4"	127	1047	DKUFCNO100E	DKUFCNO100F	DKUFCNO100P
1 1/4"	32	10	163	30	82	24	72	188	97	134	2"	1/4"	145	1180	DKUFCNO114E	DKUFCNO114F	DKUFCNO114P
1 1/2"	40	10	207	35	112	24	79	208	126	154	2 1/2"	1/4"	165	2508	DKUFCNO112E	DKUFCNO112F	DKUFCNO112P
2"	50	10	245	46	142	24	98	246	157	184	2 3/4"	1/4"	195	4606	DKUFCNO200E	DKUFCNO200F	DKUFCNO200P

DIMENSIONS

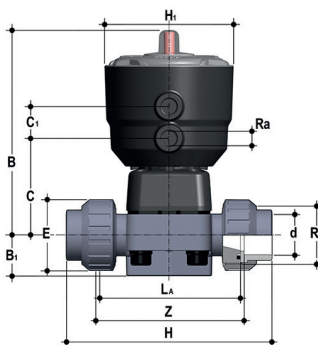
DK/CP DN 15÷65 PVC-C



DKUFC/CP DA

Pneumatically actuated diaphragm valve with BSP threaded female union ends. Double-Acting function

R	DN	PN	B	B ₁	C	C ₁	E	H	H ₁	L ₁	R ₁	R ₂	Z	g	EPDM Code	FKM Code	PTFE Code
1/2"	15	10	148	25	66	24	41	131	97	90	1"	1/4"	97	624	DKUFCDA012E	DKUFCDA012F	DKUFCDA012P
3/4"	20	10	151	30	69	24	50	151	97	108	1 1/4"	1/4"	118	691	DKUFCDA034E	DKUFCDA034F	DKUFCDA034P
1"	25	10	159	33	78	24	58	165	97	116	1 1/2"	1/4"	127	927	DKUFCDA100E	DKUFCDA100F	DKUFCDA100P
1 1/4"	32	10	163	30	82	24	72	188	97	134	2"	1/4"	145	1060	DKUFCDA114E	DKUFCDA114F	DKUFCDA114P
1 1/2"	40	10	207	35	112	24	79	208	126	154	2 1/2"	1/4"	165	2266	DKUFCDA112E	DKUFCDA112F	DKUFCDA112P
2"	50	10	245	46	142	24	98	246	157	184	2 3/4"	1/4"	195	4168	DKUFCDA200E	DKUFCDA200F	DKUFCDA200P



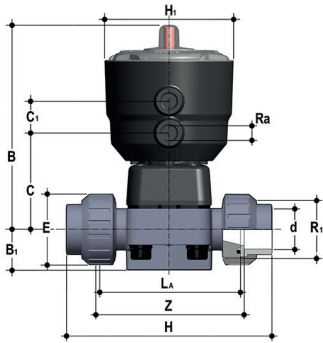
DKUAC/CP NC

Pneumatically actuated diaphragm valve with female union ends for solvent welding, ASTM series Normally Closed function

R	DN	PN	B	B ₁	C	C ₁	E	H	H ₁	L ₁	R ₁	R ₂	Z	g	EPDM Code	FKM Code	PTFE Code
1/2"	15	10	148	25	66	24	41	143	97	90	1"	1/4"	98	744	DKUACNC012E	DKUACNC012F	DKUACNC012P
3/4"	20	10	151	30	69	24	50	167	97	108	1 1/4"	1/4"	115	811	DKUACNC034E	DKUACNC034F	DKUACNC034P
1"	25	10	159	33	78	24	58	180	97	116	1 1/2"	1/4"	122	1047	DKUACNC100E	DKUACNC100F	DKUACNC100P
1 1/4"	32	10	163	30	82	24	72	208	97	134	2"	1/4"	144	1180	DKUACNC114E	DKUACNC114F	DKUACNC114P
1 1/2"	40	10	207	35	112	24	79	234	126	154	2 1/2"	1/4"	164	2968	DKUACNC112E	DKUACNC112F	DKUACNC112P
2"	50	10	245	46	142	24	98	272	157	184	2 3/4"	1/4"	195	6388	DKUACNC200E	DKUACNC200F	DKUACNC200P

DIMENSIONS

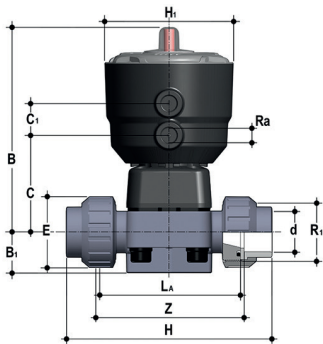
DK/CP DN 15÷65 PVC-C



DKUAC/CP NO

Pneumatically actuated diaphragm valve with female union ends for solvent welding, ASTM series Normally Open function

R	DN	PN	B	B ₁	C	C ₁	E	H	H ₁	L ₁	R ₁	R ₂	Z	g	EPDM Code	FKM Code	PTFE Code
1/2"	15	10	148	25	66	24	41	143	97	90	1"	1/4"	98	744	DKUACNO012E	DKUACNO012F	DKUACNO012P
3/4"	20	10	151	30	69	24	50	167	97	108	1 1/4"	1/4"	115	811	DKUACNO034E	DKUACNO034F	DKUACNO034P
1"	25	10	159	33	78	24	58	180	97	116	1 1/2"	1/4"	122	1047	DKUACNO100E	DKUACNO100F	DKUACNO100P
1 1/4"	32	10	163	30	82	24	72	208	97	134	2"	1/4"	144	1180	DKUACNO114E	DKUACNO114F	DKUACNO114P
1 1/2"	40	10	207	35	112	24	79	234	126	154	2 1/2"	1/4"	164	2508	DKUACNO112E	DKUACNO112F	DKUACNO112P
2"	50	10	245	46	142	24	98	272	157	184	2 3/4"	1/4"	195	4606	DKUACNO200E	DKUACNO200F	DKUACNO200P



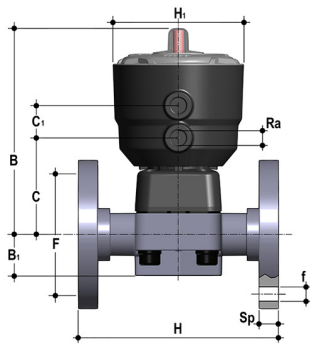
DKUAC/CP DA

Pneumatically actuated diaphragm valve with female union ends for solvent welding, ASTM series Double-Acting function

R	DN	PN	B	B ₁	C	C ₁	E	H	H ₁	L ₁	R ₁	R ₂	Z	g	EPDM Code	FKM Code	PTFE Code
1/2"	15	10	148	25	66	24	41	143	97	90	1"	1/4"	98	624	DKUACDA012E	DKUACDA012F	DKUACDA012P
3/4"	20	10	151	30	69	24	50	167	97	108	1 1/4"	1/4"	115	691	DKUACDA034E	DKUACDA034F	DKUACDA034P
1"	25	10	159	33	78	24	58	180	97	116	1 1/2"	1/4"	122	927	DKUACDA100E	DKUACDA100F	DKUACDA100P
1 1/4"	32	10	163	30	82	24	72	208	97	134	2"	1/4"	144	1060	DKUACDA114E	DKUACDA114F	DKUACDA114P
1 1/2"	40	10	207	35	112	24	79	234	126	154	2 1/2"	1/4"	164	2266	DKUACDA112E	DKUACDA112F	DKUACDA112P
2"	50	10	245	46	142	24	98	272	157	184	2 3/4"	1/4"	195	4168	DKUACDA200E	DKUACDA200F	DKUACDA200P

DIMENSIONS

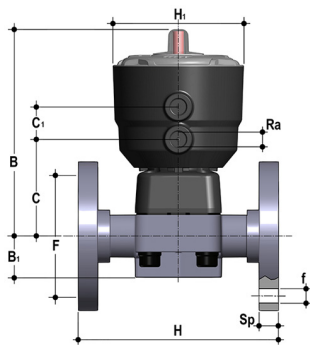
DK/CP DN 15÷65 PVC-C



DKOC/CP NC

Pneumatically actuated diaphragm valve with monolithic flanged body, drilled PN10/16. Face to face according to EN 558-1. Normally Closed function

d	DN	PN	B	B ₁	C	C ₁	F	Øf	H	H ₁	R ₂	U	Sp	g	EPDM Code	FKM Code	PTFE Code
20	15	10	148	25	66	24	65	14	130	97	1/4"	4	13.5	962	DKOCNC020E	DKOCNC020F	DKOCNC020P
25	20	10	151	30	69	24	75	14	150	97	1/4"	4	13.5	1053	DKOCNC025E	DKOCNC025F	DKOCNC025P
32	25	10	159	33	78	24	85	14	160	97	1/4"	4	13.5	1339	DKOCNC032E	DKOCNC032F	DKOCNC032P
40	32	10	163	30	82	24	100	18	180	97	1/4"	4	14	1553	DKOCNC040E	DKOCNC040F	DKOCNC040P
50	40	10	207	35	112	24	110	18	200	126	1/4"	4	16	3471	DKOCNC050E	DKOCNC050F	DKOCNC050P
63	50	10	245	46	142	24	125	18	230	157	1/4"	4	16	6862	DKOCNC063E	DKOCNC063F	DKOCNC063P
75	65	10	245	46	142	24	145	18	290	157	1/4"	4	21	7535	DKOCNC075E	DKOCNC075F	DKOCNC075P



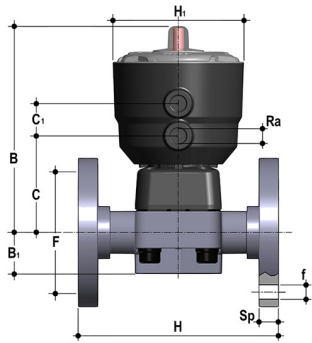
DKOC/CP NO

Pneumatically actuated diaphragm valve with monolithic flanged body, drilled PN10/16. Face to face according to EN 558-1. Normally Open function

d	DN	PN	B	B ₁	C	C ₁	F	Øf	H	H ₁	R ₂	U	Sp	g	EPDM Code	FKM Code	PTFE Code
20	15	10	148	25	66	24	65	14	130	97	1/4"	4	13.5	962	DKOCNO020E	DKOCNO020F	DKOCNO020P
25	20	10	151	30	69	24	75	14	150	97	1/4"	4	13.5	1053	DKOCNO025E	DKOCNO025F	DKOCNO025P
32	25	10	159	33	78	24	85	14	160	97	1/4"	4	13.5	1339	DKOCNO032E	DKOCNO032F	DKOCNO032P
40	32	10	163	30	82	24	100	18	180	97	1/4"	4	14	1553	DKOCNO040E	DKOCNO040F	DKOCNO040P
50	40	10	207	35	112	24	110	18	200	126	1/4"	4	16	3011	DKOCNO050E	DKOCNO050F	DKOCNO050P
63	50	10	245	46	142	24	125	18	230	157	1/4"	4	16	5080	DKOCNO063E	DKOCNO063F	DKOCNO063P
75	65	10	245	46	142	24	145	18	290	157	1/4"	4	21	5753	DKOCNO075E	DKOCNO075F	DKOCNO075P

DIMENSIONS

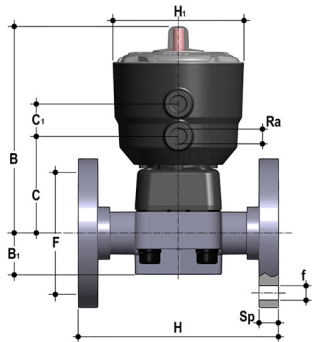
DK/CP DN 15÷65 PVC-C



DKOC/CP DA

Pneumatically actuated diaphragm valve with monolithic flanged body, drilled PN10/16. Face to face according to EN 558-1. Double-Acting function

d	DN	PN	B	B ₁	C	C ₁	F	Øf	H	H ₁	R _a	U	Sp	g	EPDM Code	FKM Code	PTFE Code
20	15	10	148	25	66	24	65	14	130	97	1/4"	4	13.5	842	DKOCDA020E	DKOCDA020F	DKOCDA020P
25	20	10	151	30	69	24	75	14	150	97	1/4"	4	13.5	923	DKOCDA025E	DKOCDA025F	DKOCDA025P
32	25	10	159	33	78	24	85	14	160	97	1/4"	4	13.5	1219	DKOCDA032E	DKOCDA032F	DKOCDA032P
40	32	10	163	30	82	24	100	18	180	97	1/4"	4	14	1443	DKOCDA040E	DKOCDA040F	DKOCDA040P
50	40	10	207	35	112	24	110	18	200	126	1/4"	4	16	2769	DKOCDA050E	DKOCDA050F	DKOCDA050P
63	50	10	245	46	142	24	125	18	230	157	1/4"	4	16	4642	DKOCDA063E	DKOCDA063F	DKOCDA063P
75	65	10	245	46	142	24	145	18	290	157	1/4"	4	21	5315	DKOCDA075E	DKOCDA075F	DKOCDA075P



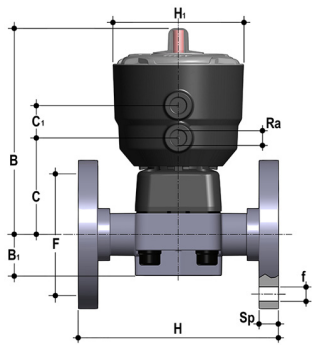
DKOAC/CP NC

Pneumatically actuated diaphragm valve with monolithic flanged body, drilled ANSI B16.5 cl. 150 #FF. Normally Closed function

d	DN	PN	B	B ₁	C	C ₁	F	Øf	H	H ₁	R _a	U	Sp	g	EPDM Code	FKM Code	PTFE Code
1/2"	15	10	148	25	66	24	60.30	14	108	97	1/4"	4	13.5	962	DKOACNC012E	DKOACNC012F	DKOACNC012P
3/4"	20	10	151	30	69	24	69.90	15.7	120	97	1/4"	4	13.5	1053	DKOACNC034E	DKOACNC034F	DKOACNC034P
1"	25	10	159	33	78	24	79.40	15.7	131	97	1/4"	4	13.5	1339	DKOACNC100E	DKOACNC100F	DKOACNC100P
1" 1/4	32	10	163	30	82	24	88.90	15.7	162	97	1/4"	4	14	1553	DKOACNC114E	DKOACNC114F	DKOACNC114P
1" 1/2	40	10	207	35	112	24	98.40	15.7	180	126	1/4"	4	16	3471	DKOACNC112E	DKOACNC112F	DKOACNC112P
2"	50	10	245	46	142	24	120.70	19	210	157	1/4"	4	16	6862	DKOACNC200E	DKOACNC200F	DKOACNC200P
2" 1/2	65	10	245	46	142	24	139.70	19	250	157	1/4"	4	21	7535	DKOACNC212E	DKOACNC212F	DKOACNC212P

DIMENSIONS

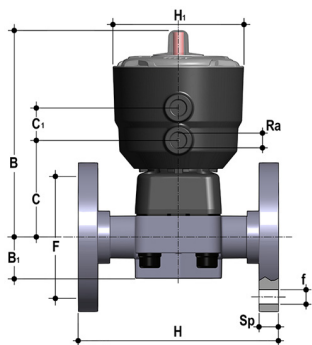
DK/CP DN 15÷65 PVC-C



DKOAC/CP NO

Pneumatically actuated diaphragm valve with monolithic flanged body, drilled ANSI B16.5 cl. 150 #FF. Normally Open function

d	DN	PN	B	B ₁	C	C ₁	F	Øf	H	H ₁	R ₀	U	Sp	g	EPDM Code	FKM Code	PTFE Code
1/2"	15	10	148	25	66	24	60.30	14	108	97	1/4"	4	13.5	962	DKOACNO012E	DKOACNO012F	DKOACNO012P
3/4"	20	10	151	30	69	24	69.90	15.7	120	97	1/4"	4	13.5	1053	DKOACNO034E	DKOACNO034F	DKOACNO034P
1"	25	10	159	33	78	24	79.40	15.7	131	97	1/4"	4	13.5	1339	DKOACNO100E	DKOACNO100F	DKOACNO100P
1" 1/4	32	10	163	30	82	24	88.90	15.7	162	97	1/4"	4	14	1553	DKOACNO114E	DKOACNO114F	DKOACNO114P
1" 1/2	40	10	207	35	112	24	98.40	15.7	180	126	1/4"	4	16	3011	DKOACNO112E	DKOACNO112F	DKOACNO112P
2"	50	10	245	46	142	24	120.70	19	210	157	1/4"	4	16	5080	DKOACNO200E	DKOACNO200F	DKOACNO200P
2" 1/2	65	10	245	46	142	24	139.70	19	250	157	1/4"	4	21	5753	DKOACNO212E	DKOACNO212F	DKOACNO212P



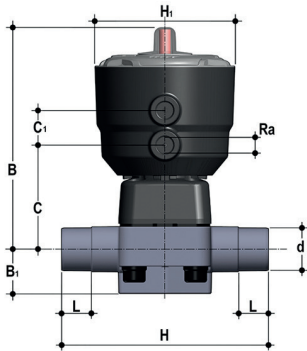
DKOAC/CP DA

Pneumatically actuated diaphragm valve with monolithic flanged body, drilled ANSI B16.5 cl. 150 #FF. Double-Acting function

d	DN	PN	B	B ₁	C	C ₁	F	Øf	H	H ₁	R ₀	U	Sp	g	EPDM Code	FKM Code	PTFE Code
1/2"	15	10	148	25	66	24	60.30	14	108	97	1/4"	4	13.5	842	DKOACDA012E	DKOACDA012F	DKOACDA012P
3/4"	20	10	151	30	69	24	69.90	15.7	120	97	1/4"	4	13.5	923	DKOACDA034E	DKOACDA034F	DKOACDA034P
1"	25	10	159	33	78	24	79.40	15.7	131	97	1/4"	4	13.5	1219	DKOACDA100E	DKOACDA100F	DKOACDA100P
1" 1/4	32	10	163	30	82	24	88.90	15.7	162	97	1/4"	4	14	1443	DKOACDA114E	DKOACDA114F	DKOACDA114P
1" 1/2	40	10	207	35	112	24	98.40	15.7	180	126	1/4"	4	16	2769	DKOACDA112E	DKOACDA112F	DKOACDA112P
2"	50	10	245	46	142	24	120.70	19	210	157	1/4"	4	16	4642	DKOACDA200E	DKOACDA200F	DKOACDA200P
2" 1/2	65	10	245	46	142	24	139.70	19	250	157	1/4"	4	21	5315	DKOACDA212E	DKOACDA212F	DKOACDA212P

DIMENSIONS

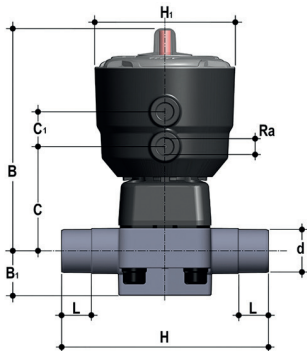
DK/CP DN 15÷65 PP-H



DKDM/CP NC

Pneumatically actuated diaphragm valve with male ends for socket fusion, metric series.
Normally Closed function

d	DN	PN	B	B ₁	C	C ₁	H	H ₁	L	R ₂	g	EPDM Code	FKM Code	PTFE Code
20	15	10	148	25	66	24	124	97	16	1/4"	665	DKDMNC020E	DKDMNC020F	DKDMNC020P
25	20	10	151	30	69	24	144	97	19	1/4"	680	DKDMNC025E	DKDMNC025F	DKDMNC025P
32	25	10	159	33	78	24	154	97	22	1/4"	855	DKDMNC032E	DKDMNC032F	DKDMNC032P
40	32	10	163	30	82	24	174	97	26	1/4"	885	DKDMNC040E	DKDMNC040F	DKDMNC040P
50	40	10	207	35	112	24	194	126	31	1/4"	2542	DKDMNC050E	DKDMNC050F	DKDMNC050P
63	50	10	245	46	142	24	224	157	38	1/4"	5800	DKDMNC063E	DKDMNC063F	DKDMNC063P
75	65	10	245	46	142	24	284	157	44	1/4"	5950	DKDMNC075E	DKDMNC075F	DKDMNC075P



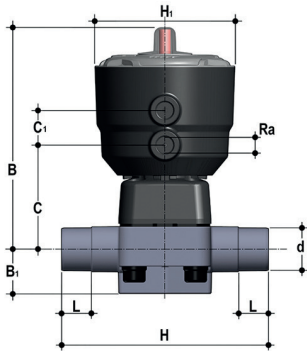
DKDM/CP NO

Pneumatically actuated diaphragm valve with male ends for socket fusion, metric series.
Normally Open function

d	DN	PN	B	B ₁	C	C ₁	H	H ₁	L	R ₂	g	EPDM Code	FKM Code	PTFE Code
20	15	10	148	25	66	24	124	97	16	1/4"	665	DKDMNO020E	DKDMNO020F	DKDMNO020P
25	20	10	151	30	69	24	144	97	19	1/4"	680	DKDMNO025E	DKDMNO025F	DKDMNO025P
32	25	10	159	33	78	24	154	97	22	1/4"	855	DKDMNO032E	DKDMNO032F	DKDMNO032P
40	32	10	163	30	82	24	174	97	26	1/4"	885	DKDMNO040E	DKDMNO040F	DKDMNO040P
50	40	10	207	35	112	24	194	126	31	1/4"	2082	DKDMNO050E	DKDMNO050F	DKDMNO050P
63	50	10	245	46	142	24	224	157	38	1/4"	4018	DKDMNO063E	DKDMNO063F	DKDMNO063P
75	65	10	245	46	142	24	284	157	44	1/4"	4168	DKDMNO075E	DKDMNO075F	DKDMNO075P

DIMENSIONS

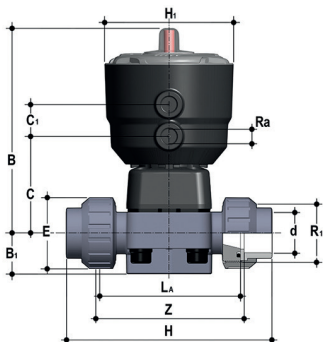
DK/CP DN 15÷65 PP-H



DKDM/CP DA

Pneumatically actuated diaphragm valve with male ends for socket fusion, metric series.
Double-Acting function

d	DN	PN	B	B ₁	C	C ₁	H	H ₁	L	R ₂	g	EPDM Code	FKM Code	PTFE Code
20	15	10	148	25	66	24	124	97	16	1/4"	545	DKDMA020E	DKDMA020F	DKDMA020P
25	20	10	151	30	69	24	144	97	19	1/4"	560	DKDMA025E	DKDMA025F	DKDMA025P
32	25	10	159	33	78	24	154	97	22	1/4"	735	DKDMA032E	DKDMA032F	DKDMA032P
40	32	10	163	30	82	24	174	97	26	1/4"	765	DKDMA040E	DKDMA040F	DKDMA040P
50	40	10	207	35	112	24	194	126	31	1/4"	1840	DKDMA050E	DKDMA050F	DKDMA050P
63	50	10	245	46	142	24	224	157	38	1/4"	3580	DKDMA063E	DKDMA063F	DKDMA063P
75	65	10	245	46	142	24	284	157	44	1/4"	3730	DKDMA075E	DKDMA075F	DKDMA075P



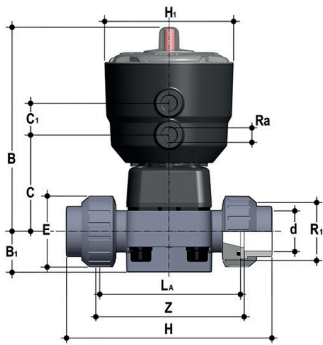
DKUIM/CP NC

Pneumatically actuated diaphragm valve with female union ends for socket fusion, metric series. Normally Closed function

d	DN	PN	B	B ₁	C	C ₁	E	H	H ₁	L ₁	R ₁	R ₂	Z	g	EPDM Code	FKM Code	PTFE Code
20	15	10	148	25	66	24	41	129	97	90	1"	1/4"	100	689	DKUIMNC020E	DKUIMNC020F	DKUIMNC020P
25	20	10	151	30	69	24	50	154	97	108	1 1/4"	1/4"	116	735	DKUIMNC025E	DKUIMNC025F	DKUIMNC025P
32	25	10	159	33	78	24	58	168	97	116	1 1/2"	1/4"	124	930	DKUIMNC032E	DKUIMNC032F	DKUIMNC032P
40	32	10	163	30	82	24	72	192	97	134	2"	1/4"	140	1016	DKUIMNC040E	DKUIMNC040F	DKUIMNC040P
50	40	10	207	35	112	24	79	222	126	154	2 1/4"	1/4"	160	2711	DKUIMNC050E	DKUIMNC050F	DKUIMNC050P
63	50	10	245	46	142	24	98	266	157	184	2 3/4"	1/4"	190	5929	DKUIMNC063E	DKUIMNC063F	DKUIMNC063P

DIMENSIONS

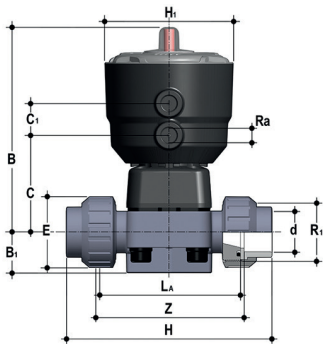
DK/CP DN 15÷65 PP-H



DKUIM/CP NO

Pneumatically actuated diaphragm valve with female union ends for socket fusion, metric series. Normally Open function

d	DN	PN	B	B ₁	C	C ₁	E	H	H ₁	L ₁	R ₁	R ₂	Z	g	EPDM Code	FKM Code	PTFE Code
20	15	10	148	25	66	24	41	129	97	90	1"	1/4"	100	689	DKUIMNO020E	DKUIMNO020F	DKUIMNO020P
25	20	10	151	30	69	24	50	154	97	108	1 1/4"	1/4"	116	735	DKUIMNO025E	DKUIMNO025F	DKUIMNO025P
32	25	10	159	33	78	24	58	168	97	116	1 1/2"	1/4"	124	930	DKUIMNO032E	DKUIMNO032F	DKUIMNO032P
40	32	10	163	30	82	24	72	192	97	134	2"	1/4"	140	1016	DKUIMNO040E	DKUIMNO040F	DKUIMNO040P
50	40	10	207	35	112	24	79	222	126	154	2 1/4"	1/4"	160	2251	DKUIMNO050E	DKUIMNO050F	DKUIMNO050P
63	50	10	245	46	142	24	98	266	157	184	2 3/4"	1/4"	190	4147	DKUIMNO063E	DKUIMNO063F	DKUIMNO063P



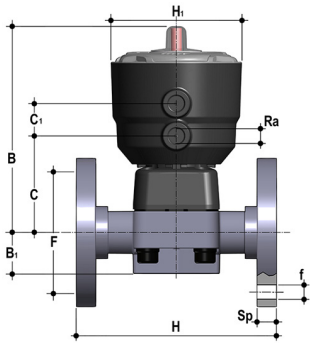
DKUIM/CP DA

Pneumatically actuated diaphragm valve with female union ends for socket fusion, metric series. Double-Acting function

d	DN	PN	B	B ₁	C	C ₁	E	H	H ₁	L ₁	R ₁	R ₂	Z	g	EPDM Code	FKM Code	PTFE Code
20	15	10	148	25	66	24	41	129	97	90	1"	1/4"	100	569	DKUIMDA020E	DKUIMDA020F	DKUIMDA020P
25	20	10	151	30	69	24	50	154	97	108	1 1/4"	1/4"	116	615	DKUIMDA025E	DKUIMDA025F	DKUIMDA025P
32	25	10	159	33	78	24	58	168	97	116	1 1/2"	1/4"	124	810	DKUIMDA032E	DKUIMDA032F	DKUIMDA032P
40	32	10	163	30	82	24	72	192	97	134	2"	1/4"	140	896	DKUIMDA040E	DKUIMDA040F	DKUIMDA040P
50	40	10	207	35	112	24	79	222	126	154	2 1/4"	1/4"	160	2009	DKUIMDA050E	DKUIMDA050F	DKUIMDA050P
63	50	10	245	46	142	24	98	266	157	184	2 3/4"	1/4"	190	3709	DKUIMDA063E	DKUIMDA063F	DKUIMDA063P

DIMENSIONS

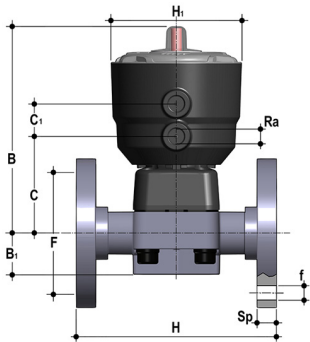
DK/CP DN 15÷65 PP-H



DKOM/CP NC

Pneumatically actuated diaphragm valve with monolithic flanged body, drilled PN10/16. Face to face according to EN 558-1. Normally Closed function

d	DN	PN	B	B ₁	C	C ₁	F	Øf	H	H ₁	R ₂	U	Sp	g	EPDM Code	FKM Code	PTFE Code
20	15	10	148	25	66	24	65	14	130	97	1/4"	4	13.5	817	DKOMNC020E	DKOMNC020F	DKOMNC020P
25	20	10	151	30	69	24	75	14	150	97	1/4"	4	13.5	865	DKOMNC025E	DKOMNC025F	DKOMNC025P
32	25	10	159	33	78	24	85	14	160	97	1/4"	4	13.5	1109	DKOMNC032E	DKOMNC032F	DKOMNC032P
40	32	10	163	30	82	24	100	18	180	97	1/4"	4	14	1194	DKOMNC040E	DKOMNC040F	DKOMNC040P
50	40	10	207	35	112	24	110	18	200	126	1/4"	4	16	2943	DKOMNC050E	DKOMNC050F	DKOMNC050P
63	50	10	245	46	142	24	125	18	230	157	1/4"	4	16	6115	DKOMNC063E	DKOMNC063F	DKOMNC063P
75	65	10	245	46	142	24	145	18	290	157	1/4"	4	21	6659	DKOMNC075E	DKOMNC075F	DKOMNC075P



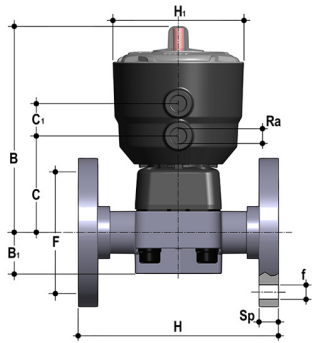
DKOM/CP NO

Pneumatically actuated diaphragm valve with monolithic flanged body, drilled PN10/16. Face to face according to EN 558-1. Normally Open function

d	DN	PN	B	B ₁	C	C ₁	F	Øf	H	H ₁	R ₂	U	Sp	g	EPDM Code	FKM Code	PTFE Code
20	15	10	148	25	66	24	65	14	130	97	1/4"	4	13.5	817	DKOMNO020E	DKOMNO020F	DKOMNO020P
25	20	10	151	30	69	24	75	14	150	97	1/4"	4	13.5	865	DKOMNO025E	DKOMNO025F	DKOMNO025P
32	25	10	159	33	78	24	85	14	160	97	1/4"	4	13.5	1109	DKOMNO032E	DKOMNO032F	DKOMNO032P
40	32	10	163	30	82	24	100	18	180	97	1/4"	4	14	1194	DKOMNO040E	DKOMNO040F	DKOMNO040P
50	40	10	207	35	112	24	110	18	200	126	1/4"	4	16	2483	DKOMNO050E	DKOMNO050F	DKOMNO050P
63	50	10	245	46	142	24	125	18	230	157	1/4"	4	16	4333	DKOMNO063E	DKOMNO063F	DKOMNO063P
75	65	10	245	46	142	24	145	18	290	157	1/4"	4	21	4877	DKOMNO075E	DKOMNO075F	DKOMNO075P

DIMENSIONS

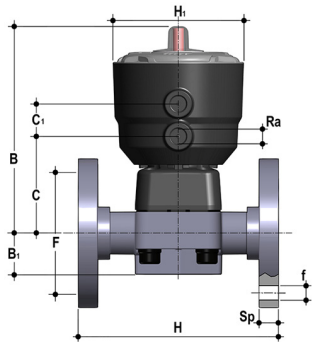
DK/CP DN 15÷65 PP-H



DKOM/CP DA

Pneumatically actuated diaphragm valve with monolithic flanged body, drilled PN10/16. Face to face according to EN 558-1. Double-Acting function

d	DN	PN	B	B ₁	C	C ₁	F	Øf	H	H ₁	R _a	U	Sp	g	EPDM Code	FKM Code	PTFE Code
20	15	10	148	25	66	24	65	14	130	97	1/4"	4	13.5	697	DKOMDA020E	DKOMDA020F	DKOMDA020P
25	20	10	151	30	69	24	75	14	150	97	1/4"	4	13.5	735	DKOMDA025E	DKOMDA025F	DKOMDA025P
32	25	10	159	33	78	24	85	14	160	97	1/4"	4	13.5	989	DKOMDA032E	DKOMDA032F	DKOMDA032P
40	32	10	163	30	82	24	100	18	180	97	1/4"	4	14	1084	DKOMDA040E	DKOMDA040F	DKOMDA040P
50	40	10	207	35	112	24	110	18	200	126	1/4"	4	16	2241	DKOMDA050E	DKOMDA050F	DKOMDA050P
63	50	10	245	46	142	24	125	18	230	157	1/4"	4	16	3895	DKOMDA063E	DKOMDA063F	DKOMDA063P
75	65	10	245	46	142	24	145	18	290	157	1/4"	4	21	4439	DKOMDA075E	DKOMDA075F	DKOMDA075P



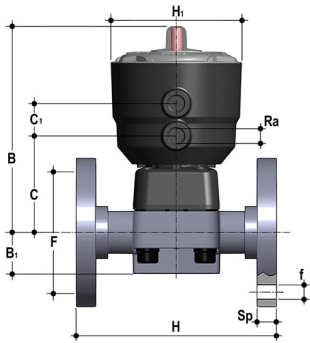
DKOAM/CP NC

Pneumatically actuated diaphragm valve with monolithic flanged body, drilled ANSI B16.5 cl. 150 #FF. Normally Closed function

d	DN	PN	B	B ₁	C	C ₁	F	Øf	H	H ₁	R _a	U	Sp	g	EPDM Code	FKM Code	PTFE Code
1/2"	15	10	148	25	66	24	60.30	14	108	97	1/4"	4	13.5	817	DKOAMNC012E	DKOAMNC012F	DKOAMNC012P
3/4"	20	10	151	30	69	24	69.90	15.7	120	97	1/4"	4	13.5	865	DKOAMNC034E	DKOAMNC034F	DKOAMNC034P
1"	25	10	159	33	78	24	79.40	15.7	131	97	1/4"	4	13.5	1109	DKOAMNC100E	DKOAMNC100F	DKOAMNC100P
1" 1/4	32	10	163	30	82	24	88.90	15.7	162	97	1/4"	4	14	1194	DKOAMNC114E	DKOAMNC114F	DKOAMNC114P
1" 1/2	40	10	207	35	112	24	98.40	15.7	180	126	1/4"	4	16	2943	DKOAMNC112E	DKOAMNC112F	DKOAMNC112P
2"	50	10	245	46	142	24	120.70	19	210	157	1/4"	4	16	6115	DKOAMNC200E	DKOAMNC200F	DKOAMNC200P
2" 1/2	65	10	245	46	142	24	139.70	19	250	157	1/4"	4	21	6659	DKOAMNC212E	DKOAMNC212F	DKOAMNC212P

DIMENSIONS

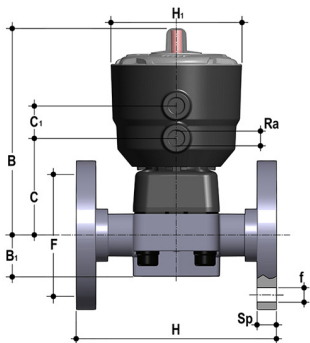
DK/CP DN 15÷65 PP-H



DKOAM/CP NO

Pneumatically actuated diaphragm valve with monolithic flanged body, drilled ANSI B16.5 cl. 150 #FF. Normally Open function

d	DN	PN	B	B ₁	C	C ₁	F	Øf	H	H ₁	R ₀	U	Sp	g	EPDM Code	FKM Code	PTFE Code
1/2"	15	10	148	25	66	24	60.30	14	108	97	1/4"	4	13.5	817	DKOAMNO012E	DKOAMNO012F	DKOAMNO012P
3/4"	20	10	151	30	69	24	69.90	15.7	120	97	1/4"	4	13.5	865	DKOAMNO034E	DKOAMNO034F	DKOAMNO034P
1"	25	10	159	33	78	24	79.40	15.7	131	97	1/4"	4	13.5	1109	DKOAMNO100E	DKOAMNO100F	DKOAMNO100P
1" 1/4	32	10	163	30	82	24	88.90	15.7	162	97	1/4"	4	14	1194	DKOAMNO114E	DKOAMNO114F	DKOAMNO114P
1" 1/2	40	10	207	35	112	24	98.40	15.7	180	126	1/4"	4	16	2483	DKOAMNO112E	DKOAMNO112F	DKOAMNO112P
2"	50	10	245	46	142	24	120.70	19	210	157	1/4"	4	16	4333	DKOAMNO200E	DKOAMNO200F	DKOAMNO200P
2" 1/2	65	10	245	46	142	24	139.70	19	250	157	1/4"	4	21	4877	DKOAMNO212E	DKOAMNO212F	DKOAMNO212P



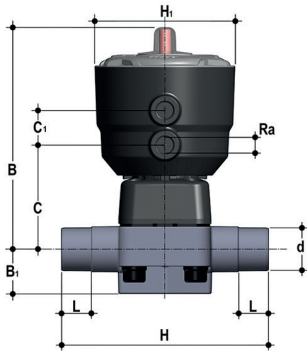
DKOAM/CP DA

Pneumatically actuated diaphragm valve with monolithic flanged body, drilled ANSI B16.5 cl. 150 #FF. Double-Acting function

d	DN	PN	B	B ₁	C	C ₁	F	Øf	H	H ₁	R ₀	U	Sp	g	EPDM Code	FKM Code	PTFE Code
1/2"	15	10	148	25	66	24	60.30	14	108	97	1/4"	4	13.5	697	DKOAMDA012E	DKOAMDA012F	DKOAMDA012P
3/4"	20	10	151	30	69	24	69.90	15.7	120	97	1/4"	4	13.5	735	DKOAMDA034E	DKOAMDA034F	DKOAMDA034P
1"	25	10	159	33	78	24	79.40	15.7	131	97	1/4"	4	13.5	989	DKOAMDA100E	DKOAMDA100F	DKOAMDA100P
1" 1/4	32	10	163	30	82	24	88.90	15.7	162	97	1/4"	4	14	1084	DKOAMDA114E	DKOAMDA114F	DKOAMDA114P
1" 1/2	40	10	207	35	112	24	98.40	15.7	180	126	1/4"	4	16	2241	DKOAMDA112E	DKOAMDA112F	DKOAMDA112P
2"	50	10	245	46	142	24	120.70	19	210	157	1/4"	4	16	3895	DKOAMDA200E	DKOAMDA200F	DKOAMDA200P
2" 1/2	65	10	245	46	142	24	139.70	19	250	157	1/4"	4	21	4439	DKOAMDA212E	DKOAMDA212F	DKOAMDA212P

DIMENSIONS

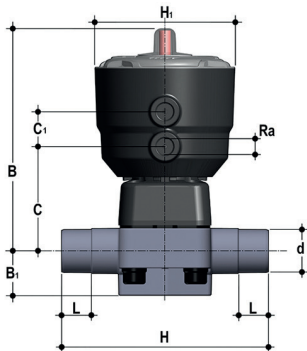
DK/CP DN 15÷65 PVDF



DKDF/CP NC

Pneumatically actuated diaphragm valve with male ends for socket fusion, metric series.
Normally Closed function

d	DN	PN	B	B ₁	C	C ₁	H	H ₁	L	R ₂	g	EPDM Code	FKM Code	PTFE Code
20	15	10	148	25	66	24	124	97	16	1/4"	732	DKDFNC020E	DKDFNC020F	DKDFNC020P
25	20	10	151	30	69	24	144	97	19	1/4"	762	DKDFNC025E	DKDFNC025F	DKDFNC025P
32	25	10	159	33	78	24	154	97	22	1/4"	991	DKDFNC032E	DKDFNC032F	DKDFNC032P
40	32	10	163	30	82	24	174	97	26	1/4"	1052	DKDFNC040E	DKDFNC040F	DKDFNC040P
50	40	10	207	35	112	24	194	126	31	1/4"	2862	DKDFNC050E	DKDFNC050F	DKDFNC050P
63	50	10	245	46	142	24	224	157	38	1/4"	6357	DKDFNC063E	DKDFNC063F	DKDFNC063P
75	65	10	245	46	142	24	284	157	44	1/4"	6596	DKDFNC075E	DKDFNC075F	DKDFNC075P



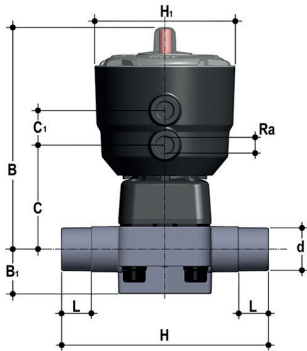
DKDF/CP NO

Pneumatically actuated diaphragm valve with male ends for socket fusion, metric series.
Normally Open function

d	DN	PN	B	B ₁	C	C ₁	H	H ₁	L	R ₂	g	EPDM Code	FKM Code	PTFE Code
20	15	10	148	25	66	24	124	97	16	1/4"	732	DKDFNO020E	DKDFNO020F	DKDFNO020P
25	20	10	151	30	69	24	144	97	19	1/4"	762	DKDFNO025E	DKDFNO025F	DKDFNO025P
32	25	10	159	33	78	24	154	97	22	1/4"	991	DKDFNO032E	DKDFNO032F	DKDFNO032P
40	32	10	163	30	82	24	174	97	26	1/4"	1052	DKDFNO040E	DKDFNO040F	DKDFNO040P
50	40	10	207	35	112	24	194	126	31	1/4"	2402	DKDFNO050E	DKDFNO050F	DKDFNO050P
63	50	10	245	46	142	24	224	157	38	1/4"	4575	DKDFNO063E	DKDFNO063F	DKDFNO063P
75	65	10	245	46	142	24	284	157	44	1/4"	4814	DKDFNO075E	DKDFNO075F	DKDFNO075P

DIMENSIONS

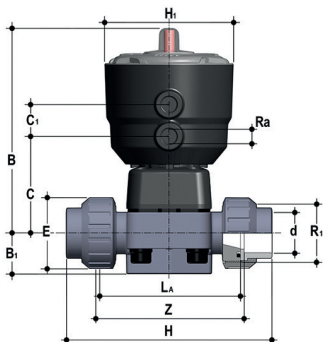
DK/CP DN 15÷65 PVDF



DKDF/CP DA

Pneumatically actuated diaphragm valve with male ends for socket fusion, metric series.
Double-Acting function

d	DN	PN	B	B ₁	C	C ₁	H	H ₁	L	R ₂	g	EPDM Code	FKM Code	PTFE Code
20	15	10	148	25	66	24	124	97	16	1/4"	612	DKDFDA020E	DKDFDA020F	DKDFDA020P
25	20	10	151	30	69	24	144	97	19	1/4"	642	DKDFDA025E	DKDFDA025F	DKDFDA025P
32	25	10	159	33	78	24	154	97	22	1/4"	871	DKDFDA032E	DKDFDA032F	DKDFDA032P
40	32	10	163	30	82	24	174	97	26	1/4"	932	DKDFDA040E	DKDFDA040F	DKDFDA040P
50	40	10	207	35	112	24	194	126	31	1/4"	2160	DKDFDA050E	DKDFDA050F	DKDFDA050P
63	50	10	245	46	142	24	224	157	38	1/4"	4137	DKDFDA063E	DKDFDA063F	DKDFDA063P
75	65	10	245	46	142	24	284	157	44	1/4"	4376	DKDFDA075E	DKDFDA075F	DKDFDA075P



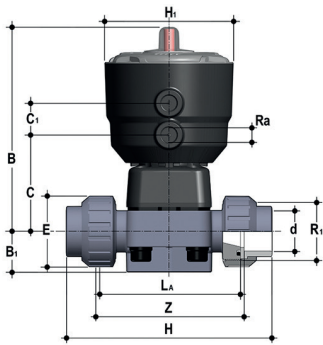
DKUIF/CP NC

Pneumatically actuated diaphragm valve with female union ends for socket fusion, metric series. Normally Closed function

d	DN	PN	B	B ₁	C	C ₁	E	H	H ₁	L ₁	R ₁	R ₂	Z	g	EPDM Code	FKM Code	PTFE Code
20	15	10	148	25	66	24	41	129	97	90	1"	1/4"	100	786	DKUIFNC020E	DKUIFNC020F	DKUIFNC020P
25	20	10	151	30	69	24	50	154	97	108	1 1/4"	1/4"	116	871	DKUIFNC025E	DKUIFNC025F	DKUIFNC025P
32	25	10	159	33	78	24	58	168	97	116	1 1/2"	1/4"	124	1140	DKUIFNC032E	DKUIFNC032F	DKUIFNC032P
40	32	10	163	30	82	24	72	192	97	134	2"	1/4"	140	1312	DKUIFNC040E	DKUIFNC040F	DKUIFNC040P
50	40	10	207	35	112	24	79	222	126	154	2 1/4"	1/4"	160	3143	DKUIFNC050E	DKUIFNC050F	DKUIFNC050P
63	50	10	245	46	142	24	98	266	157	184	2 3/4"	1/4"	190	6871	DKUIFNC063E	DKUIFNC063F	DKUIFNC063P

DIMENSIONS

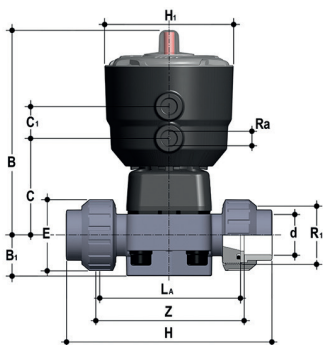
DK/CP DN 15÷65 PVDF



DKUIF/CP NO

Pneumatically actuated diaphragm valve with female union ends for socket fusion, metric series. Normally Open function

d	DN	PN	B	B ₁	C	C ₁	E	H	H ₁	L ₁	R ₁	R ₂	Z	g	EPDM Code	FKM Code	PTFE Code
20	15	10	148	25	66	24	41	129	97	90	1"	1/4"	100	786	DKUIFNO020E	DKUIFNO020F	DKUIFNO020P
25	20	10	151	30	69	24	50	154	97	108	1 1/4"	1/4"	116	871	DKUIFNO025E	DKUIFNO025F	DKUIFNO025P
32	25	10	159	33	78	24	58	168	97	116	1 1/2"	1/4"	124	1140	DKUIFNO032E	DKUIFNO032F	DKUIFNO032P
40	32	10	163	30	82	24	72	192	97	134	2"	1/4"	140	1312	DKUIFNO040E	DKUIFNO040F	DKUIFNO040P
50	40	10	207	35	112	24	79	222	126	154	2 1/4"	1/4"	160	2683	DKUIFNO050E	DKUIFNO050F	DKUIFNO050P
63	50	10	245	46	142	24	98	266	157	184	2 3/4"	1/4"	190	5089	DKUIFNO063E	DKUIFNO063F	DKUIFNO063P



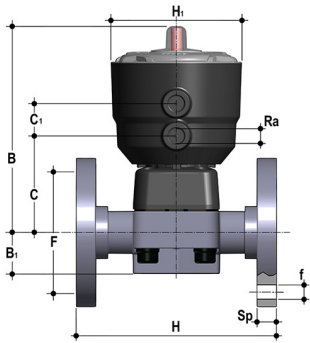
DKUIF/CP DA

Pneumatically actuated diaphragm valve with female union ends for socket fusion, metric series. Double-Acting function

d	DN	PN	B	B ₁	C	C ₁	E	H	H ₁	L ₁	R ₁	R ₂	Z	g	EPDM Code	FKM Code	PTFE Code
20	15	10	148	25	66	24	41	129	97	90	1"	1/4"	100	666	DKUIFDA020E	DKUIFDA020F	DKUIFDA020P
25	20	10	151	30	69	24	50	154	97	108	1 1/4"	1/4"	116	751	DKUIFDA025E	DKUIFDA025F	DKUIFDA025P
32	25	10	159	33	78	24	58	168	97	116	1 1/2"	1/4"	124	1020	DKUIFDA032E	DKUIFDA032F	DKUIFDA032P
40	32	10	163	30	82	24	72	192	97	134	2"	1/4"	140	1192	DKUIFDA040E	DKUIFDA040F	DKUIFDA040P
50	40	10	207	35	112	24	79	222	126	154	2 1/4"	1/4"	160	2441	DKUIFDA050E	DKUIFDA050F	DKUIFDA050P
63	50	10	245	46	142	24	98	266	157	184	2 3/4"	1/4"	190	4651	DKUIFDA063E	DKUIFDA063F	DKUIFDA063P

DIMENSIONS

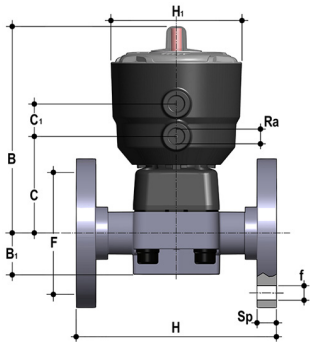
DK/CP DN 15÷65 PVDF



DKOF/CP NC

Pneumatically actuated diaphragm valve with monolithic flanged body, drilled PN10/16. Face to face according to EN 558-1. Normally Closed function

d	DN	PN	B	B ₁	C	C ₁	F	Øf	H	H ₁	R ₂	U	Sp	g	EPDM Code	FKM Code	PTFE Code
20	15	10	148	25	66	24	65	14	130	97	1/4"	4	13.5	1011	DKOFNC020E	DKOFNC020F	DKOFNC020P
25	20	10	151	30	69	24	75	14	150	97	1/4"	4	13.5	1117	DKOFNC025E	DKOFNC025F	DKOFNC025P
32	25	10	159	33	78	24	85	14	160	97	1/4"	4	13.5	1429	DKOFNC032E	DKOFNC032F	DKOFNC032P
40	32	10	163	30	82	24	100	18	180	97	1/4"	4	14	1675	DKOFNC040E	DKOFNC040F	DKOFNC040P
50	40	10	207	35	112	24	110	18	200	126	1/4"	4	16	3651	DKOFNC050E	DKOFNC050F	DKOFNC050P
63	50	10	245	46	142	24	125	18	230	157	1/4"	4	16	7116	DKOFNC063E	DKOFNC063F	DKOFNC063P
75	65	10	245	46	142	24	145	18	290	157	1/4"	4	21	7885	DKOFNC075E	DKOFNC075F	DKOFNC075P



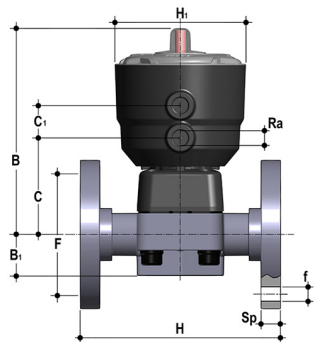
DKOF/CP NO

Pneumatically actuated diaphragm valve with monolithic flanged body, drilled PN10/16. Face to face according to EN 558-1. Normally Open function

d	DN	PN	B	B ₁	C	C ₁	F	Øf	H	H ₁	R ₂	U	Sp	g	EPDM Code	FKM Code	PTFE Code
20	15	10	148	25	66	24	65	14	130	97	1/4"	4	13.5	1011	DKOFNO020E	DKOFNO020F	DKOFNO020P
25	20	10	151	30	69	24	75	14	150	97	1/4"	4	13.5	1117	DKOFNO025E	DKOFNO025F	DKOFNO025P
32	25	10	159	33	78	24	85	14	160	97	1/4"	4	13.5	1429	DKOFNO032E	DKOFNO032F	DKOFNO032P
40	32	10	163	30	82	24	100	18	180	97	1/4"	4	14	1675	DKOFNO040E	DKOFNO040F	DKOFNO040P
50	40	10	207	35	112	24	110	18	200	126	1/4"	4	16	3191	DKOFNO050E	DKOFNO050F	DKOFNO050P
63	50	10	245	46	142	24	125	18	230	157	1/4"	4	16	5334	DKOFNO063E	DKOFNO063F	DKOFNO063P
75	65	10	245	46	142	24	145	18	290	157	1/4"	4	21	6103	DKOFNO075E	DKOFNO075F	DKOFNO075P

DIMENSIONS

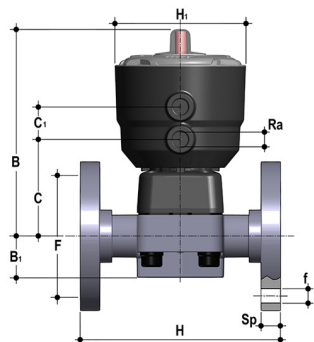
DK/CP DN 15÷65 PVDF



DKOF/CP DA

Pneumatically actuated diaphragm valve with monolithic flanged body, drilled PN10/16. Face to face according to EN 558-1. Double-Acting function

d	DN	PN	B	B ₁	C	C ₁	F	Øf	H	H ₁	R _a	U	Sp	g	EPDM Code	FKM Code	PTFE Code
20	15	10	148	25	66	24	65	14	130	97	1/4"	4	13.5	891	DKOFDA020E	DKOFDA020F	DKOFDA020P
25	20	10	151	30	69	24	75	14	150	97	1/4"	4	13.5	987	DKOFDA025E	DKOFDA025F	DKOFDA025P
32	25	10	159	33	78	24	85	14	160	97	1/4"	4	13.5	1309	DKOFDA032E	DKOFDA032F	DKOFDA032P
40	32	10	163	30	82	24	100	18	180	97	1/4"	4	14	1565	DKOFDA040E	DKOFDA040F	DKOFDA040P
50	40	10	207	35	112	24	110	18	200	126	1/4"	4	16	2949	DKOFDA050E	DKOFDA050F	DKOFDA050P
63	50	10	245	46	142	24	125	18	230	157	1/4"	4	16	4896	DKOFDA063E	DKOFDA063F	DKOFDA063P
75	65	10	245	46	142	24	145	18	290	157	1/4"	4	21	5665	DKOFDA075E	DKOFDA075F	DKOFDA075P



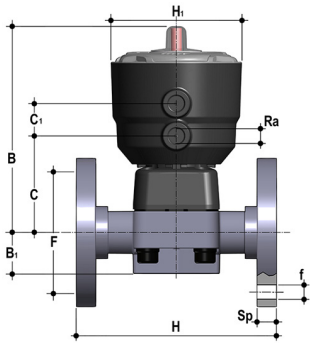
DKOAF/CP NC

Pneumatically actuated diaphragm valve with monolithic flanged body, drilled ANSI B16.5 cl. 150 #FF. Normally Closed function

d	DN	PN	B	B ₁	C	C ₁	F	Øf	H	H ₁	R _a	U	Sp	g	EPDM Code	FKM Code	PTFE Code
1/2"	15	10	148	25	66	24	60.30	14	108	97	1/4"	4	13.5	1011	DKOAFNC012E	DKOAFNC012F	DKOAFNC012P
3/4"	20	10	151	30	69	24	69.90	15.7	120	97	1/4"	4	13.5	1117	DKOAFNC034E	DKOAFNC034F	DKOAFNC034P
1"	25	10	159	33	78	24	79.40	15.7	131	97	1/4"	4	13.5	1429	DKOAFNC100E	DKOAFNC100F	DKOAFNC100P
1" 1/4	32	10	163	30	82	24	88.90	15.7	162	97	1/4"	4	14	1675	DKOAFNC114E	DKOAFNC114F	DKOAFNC114P
1" 1/2	40	10	207	35	112	24	98.40	15.7	180	126	1/4"	4	16	3651	DKOAFNC112E	DKOAFNC112F	DKOAFNC112P
2"	50	10	245	46	142	24	120.70	19	210	157	1/4"	4	16	7116	DKOAFNC200E	DKOAFNC200F	DKOAFNC200P
2" 1/2	65	10	245	46	142	24	139.70	19	250	157	1/4"	4	21	7885	DKOAFNC212E	DKOAFNC212F	DKOAFNC212P

DIMENSIONS

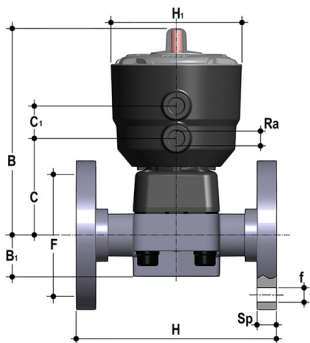
DK/CP DN 15÷65 PVDF



DKOAF/CP NO

Pneumatically actuated diaphragm valve with monolithic flanged body, drilled ANSI B16.5 cl. 150 #FF. Normally Open function

d	DN	PN	B	B ₁	C	C ₁	F	Øf	H	H ₁	R ₂	U	Sp	g	EPDM Code	FKM Code	PTFE Code
1/2"	15	10	148	25	66	24	60.30	14	108	97	1/4"	4	13.5	1011	DKOAFNO012E	DKOAFNO012F	DKOAFNO012P
3/4"	20	10	151	30	69	24	69.90	15.7	120	97	1/4"	4	13.5	1117	DKOAFNO034E	DKOAFNO034F	DKOAFNO034P
1"	25	10	159	33	78	24	79.40	15.7	131	97	1/4"	4	13.5	1429	DKOAFNO100E	DKOAFNO100F	DKOAFNO100P
1" 1/4	32	10	163	30	82	24	88.90	15.7	162	97	1/4"	4	14	1675	DKOAFNO114E	DKOAFNO114F	DKOAFNO114P
1" 1/2	40	10	207	35	112	24	98.40	15.7	180	126	1/4"	4	16	3191	DKOAFNO112E	DKOAFNO112F	DKOAFNO112P
2"	50	10	245	46	142	24	120.70	19	210	157	1/4"	4	16	5334	DKOAFNO200E	DKOAFNO200F	DKOAFNO200P
2" 1/2	65	10	245	46	142	24	139.70	19	250	157	1/4"	4	21	6103	DKOAFNO212E	DKOAFNO212F	DKOAFNO212P



DKOAF/CP DA

Pneumatically actuated diaphragm valve with monolithic flanged body, drilled ANSI B16.5 cl. 150 #FF. Double-Acting function

d	DN	PN	B	B ₁	C	C ₁	F	Øf	H	H ₁	R ₂	U	Sp	g	EPDM Code	FKM Code	PTFE Code
1/2"	15	10	148	25	66	24	60.30	14	108	97	1/4"	4	13.5	891	DKOAFDA012E	DKOAFDA012F	DKOAFDA012P
3/4"	20	10	151	30	69	24	69.90	15.7	120	97	1/4"	4	13.5	987	DKOAFDA034E	DKOAFDA034F	DKOAFDA034P
1"	25	10	159	33	78	24	79.40	15.7	131	97	1/4"	4	13.5	1309	DKOAFDA100E	DKOAFDA100F	DKOAFDA100P
1" 1/4	32	10	163	30	82	24	88.90	15.7	162	97	1/4"	4	14	1565	DKOAFDA114E	DKOAFDA114F	DKOAFDA114P
1" 1/2	40	10	207	35	112	24	98.40	15.7	180	126	1/4"	4	16	2949	DKOAFDA112E	DKOAFDA112F	DKOAFDA112P
2"	50	10	245	46	142	24	120.70	19	210	157	1/4"	4	16	4896	DKOAFDA200E	DKOAFDA200F	DKOAFDA200P
2" 1/2	65	10	245	46	142	24	139.70	19	250	157	1/4"	4	21	5665	DKOAFDA212E	DKOAFDA212F	DKOAFDA212P

FASTENING AND SUPPORTING



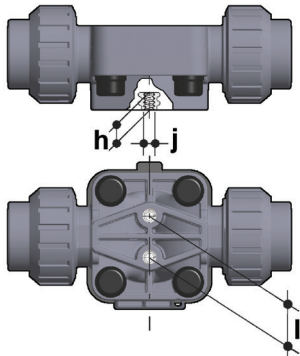
All valves, whether manual or actuated, must be adequately supported in many applications.

The DK valve series is therefore provided with an integrated bracket that permits direct anchoring of the valve body without the need of other components.

For wall or panel installation, dedicated PMDK mounting plates which are available as accessories can be used. These plates should be fastened to the valve before wall installation.

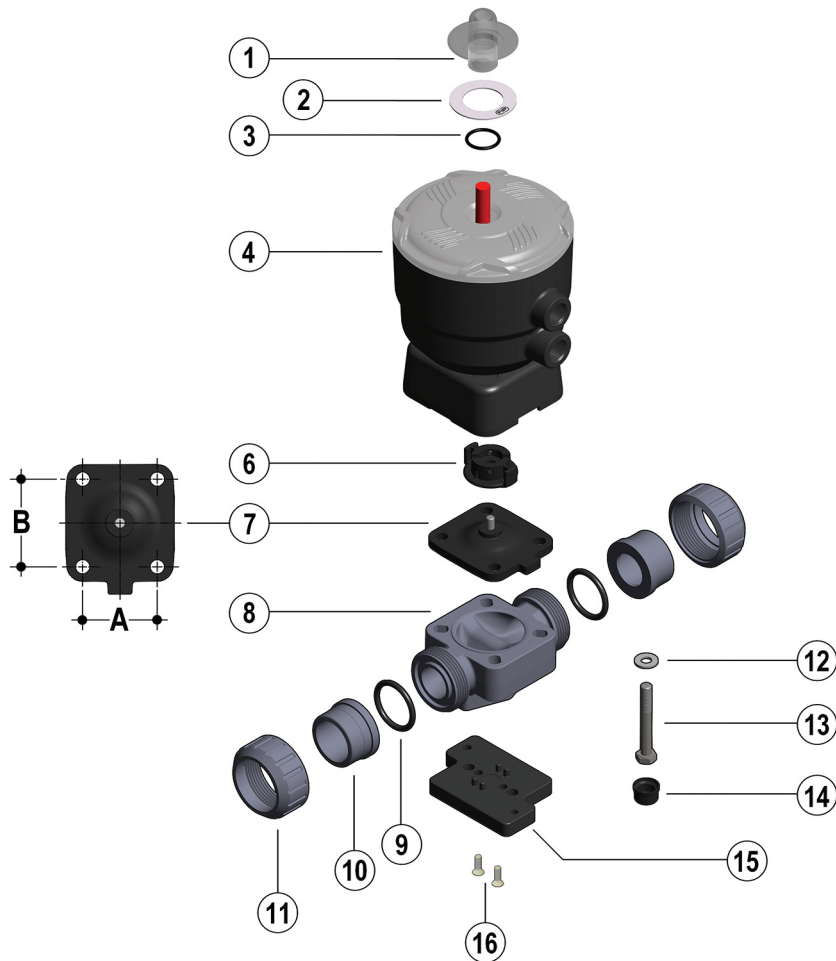
PMDK plates also allow DK valve alignment with FIP ZIKM pipe clips.

d	DN	h	l	J
20	15	10	25	M6
25	20	10	25	M6
32	25	10	25	M6
40	32	10	25	M6
50	40	13	44.5	M8
63	50	13	44.5	M8
75	65	13	44.5	M8



COMPONENTS

EXPLODED VIEW DN 15÷65



DN	15	20	25	32	40	50	65
A	40	40	46	46	65	78	78
B	44	44	54	54	70	82	82

- | | | |
|--|---|---|
| 1 Transparent cap (PC - 1)* | 8 Valve body (PVC-U, PVC-C, PP-H, PVDF - 1)* | 12 Washer (Acciaio INOX - 4) |
| 2 Customisation plate (PVC - 1) | 9 Socket seal O-Ring (EPDM-FKM - 2)* | 13 Bolt (Acciaio INOX - 4) |
| 3 O-Ring (EPDM - 1) | 10 End connector (PVC-U, PVC-C, PP-H, PVDF - 2)* | 14 Protection plug (PE - 4) |
| 4 Actuator (PP-GR - 1)* | 11 Union nut (PVC-U, PVC-C, PP-H, PVDF - 2)* | 15 Distance plate (PP-GR - 1)** |
| 6 Compressor (PA-GR IXEF® - 1) | | 16 Screw (STAINLESS steel - 2)** |
| 7 Seal diaphragm (EPDM, FKM, PTFE - 1)* | | |

* Spare parts

** Accessories

The material the component is made of and the quantity supplied are shown in brackets

DISASSEMBLY

- 1) Isolate the valve from the line (release the pressure and empty the pipeline).
- 2) Open the valve with compressed air (NC-DA) to drain any residual liquid from the valve.
- 3) Disconnect the valve from the pneumatic and electrical connections.
- 4) Unscrew the union nuts (11) and extract the valve.
- 5) Remove the protection plugs (14) and bolts (13) with their washers (12); this operation will be made easier if the actuator is pressurised (NC).
- 6) Separate the valve body (8) from the actuator (4).
- 7) Unscrew the diaphragm (7) and remove the compressor (6); this operation will be made easier if the actuator is not pressurised (NC).

ASSEMBLY

- 1) Insert the compressor (6) on the actuator stem (4), aligning it correctly in its housing (fig. 3).
- 2) Screw the diaphragm (7) onto the stem, aligning it correctly with its housing on the actuator.
- 3) Mount the actuator (4) on the valve body (8) and screw in the bolts (13) with the relative washers (12); this operation will be made easier if the actuator is pressurised (NC).
- 4) Tighten the bolts (13) evenly (diagonally) to the tightening torque suggested on the relative instruction sheet.
- 5) Replace the protection plugs (14).
- 6) Position the valve between the end connectors (10) and tighten the union nuts (11), making sure that the socket seal O-rings (9) do not exit their seats.
- 7) Reconnect the valve to the pneumatic and electrical connections.



Note: All operations on equipment under pressure or containing compressed springs must be carried out under safe conditions for the operator.

Fig. 3

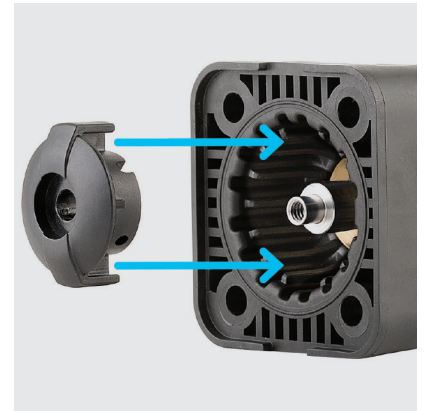


Fig. 4



INSTALLATION

Before proceeding with installation, please follow these instructions carefully: (instructions refer to versions with union ends). The valve can be installed in any position and in any direction.

- 1) Check that the pipes to be connected to the valve are aligned in order to avoid mechanical stress on the threaded joints.
- 2) Unscrew the union nuts (11) and insert them on the pipe segments.
- 3) Solvent weld or screw the end connectors (10) onto the pipe ends.
- 4) Position the valve body between the end connectors making sure the socket seal O-Rings (9) do not exit the seats.
- 5) Completely tighten the union nuts (11).
- 6) If necessary, support the pipework with FIP pipe clips or by means of the carrier built into the valve itself (see paragraph "Fastening and supporting").
- 7) Connect the compressed air as indicated in paragraph "Compressed air connections". For valves with electric accessories, refer to the specific technical manual supplied with the accessory.

When installing in confined spaces, the connections can be oriented in line with the piping. (Fig. 4).

WARNINGS

Note: before putting the valve into service, check that the bolts on the valve body (8) are tightened correctly at the suggested torque.