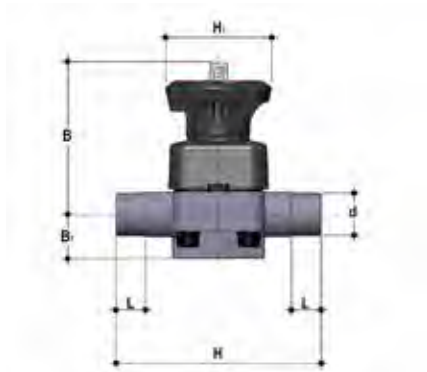


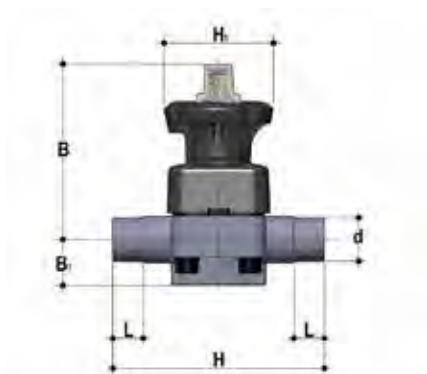
DIMENSIONS



DKDF

DIALOCK® diaphragm valve with male ends for socket welding, metric series

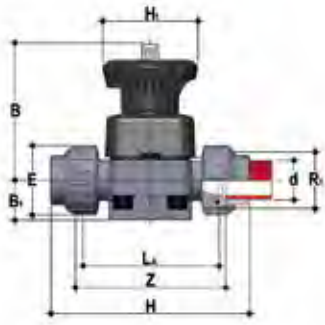
d	DN	PN	B	B ₁	H	H ₁	L	g	EPDM code	FKM code	PTFE code
20	15	10	102	25	124	80	16	497	DKDF020E	DKDF020F	DKDF020P
25	20	10	105	30	144	80	19	527	DKDF025E	DKDF025F	DKDF025P
32	25	10	114	33	154	80	22	756	DKDF032E	DKDF032F	DKDF032P
40	32	10	119	30	174	80	26	817	DKDF040E	DKDF040F	DKDF040P
50	40	10	149	35	194	120	31	1700	DKDF050E	DKDF050F	DKDF050P
63	50	10	172	46	224	120	38	2693	DKDF063E	DKDF063F	DKDF063P
75	65	10	172	46	284	120	44	2871	DKDF075E	DKDF075F	DKDF075P



DKLDF

DIALOCK® diaphragm valve with stroke limiter and male ends for socket welding, metric series

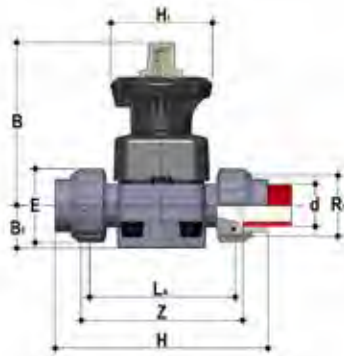
d	DN	PN	B	B ₁	H	H ₁	L	g	EPDM code	FKM code	PTFE code
20	15	10	115	25	124	80	16	527	DKLDF020E	DKLDF020F	DKLDF020P
25	20	10	118	30	144	80	19	557	DKLDF025E	DKLDF025F	DKLDF025P
32	25	10	127	33	154	80	22	786	DKLDF032E	DKLDF032F	DKLDF032P
40	32	10	132	30	174	80	26	847	DKLDF040E	DKLDF040F	DKLDF040P
50	40	10	175	35	194	120	31	1760	DKLDF050E	DKLDF050F	DKLDF050P
63	50	10	200	46	224	120	38	2753	DKLDF063E	DKLDF063F	DKLDF063P
75	65	10	200	46	284	120	44	2931	DKLDF075E	DKLDF075F	DKLDF075P



DKUIF

DIALOCK® diaphragm valve with female union ends for socket welding, metric series

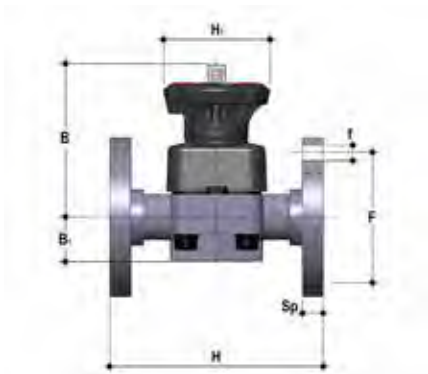
d	DN	PN	B	B ₁	E	H	H ₁	L ₁	R ₁	Z	g	EPDM code	FKM code	PTFE code
20	15	10	102	25	41	129	80	90	1"	100	551	DKUIF020E	DKUIF020F	DKUIF020P
25	20	10	105	30	50	154	80	108	1 1/4"	116	636	DKUIF025E	DKUIF025F	DKUIF025P
32	25	10	114	33	58	168	80	116	1 1/2"	124	905	DKUIF032E	DKUIF032F	DKUIF032P
40	32	10	119	30	72	192	80	134	2"	140	1077	DKUIF040E	DKUIF040F	DKUIF040P
50	40	10	149	35	79	222	120	154	2 1/4"	160	1989	DKUIF050E	DKUIF050F	DKUIF050P
63	50	10	172	46	98	266	120	184	2 3/4"	190	3235	DKUIF063E	DKUIF063F	DKUIF063P



DKLUIF

DIALOCK® diaphragm valve with stroke limiter and female union ends for socket welding, metric series

d	DN	PN	B	B ₁	E	H	H ₁	L ₁	R ₁	Z	g	EPDM code	FKM code	PTFE code
20	15	10	115	25	41	129	80	90	1"	100	581	DKLUIF020E	DKLUIF020F	DKLUIF020P
25	20	10	118	30	50	154	80	108	1 1/4"	116	666	DKLUIF025E	DKLUIF025F	DKLUIF025P
32	25	10	127	33	58	168	80	116	1 1/2"	124	935	DKLUIF032E	DKLUIF032F	DKLUIF032P
40	32	10	132	30	72	192	80	134	2"	140	1107	DKLUIF040E	DKLUIF040F	DKLUIF040P
50	40	10	175	35	79	222	120	154	2 1/4"	160	2049	DKLUIF050E	DKLUIF050F	DKLUIF050P
63	50	10	200	46	98	266	120	184	2 3/4"	190	3295	DKLUIF063E	DKLUIF063F	DKLUIF063P

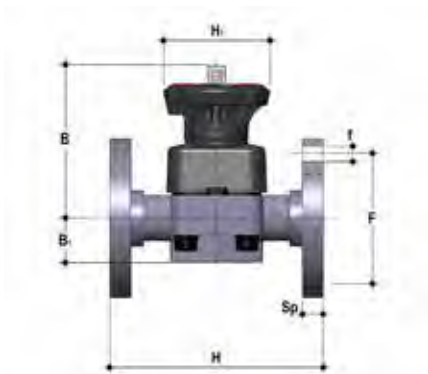


DKOF

DIALOCK® diaphragm valve with flanged monolithic body, drilled PN10/16. Face to face according to EN 558-1

d	DN	PN	B	B ₁	F	f	H	H ₁	Sp	U	g	EPDM code	FKM code	PTFE code
20	15	10	102	25	65	14	130	80	4	13.5	1011	DKOF020E	DKOF020F	DKOF020P
25	20	10	105	30	75	14	150	80	4	13.5	1102	DKOF025E	DKOF025F	DKOF025P
32	25	10	114	33	85	14	160	80	4	13.5	1212	DKOF032E	DKOF032F	DKOF032P
40	32	10	119	30	100	18	180	80	4	14	1486	DKOF040E	DKOF040F	DKOF040P
50	40	10	149	35	110	18	200	120	4	16	2479	DKOF050E	DKOF050F	DKOF050P
63	50	10	172	46	125	18	230	120	4	16	3454	DKOF063E	DKOF063F	DKOF063P
75	65	10	172	46	145	18	290	120	4	21	4223	DKOF075E	DKOF075F	DKOF075P

DKLOF version available on request



DKOAF

DIALOCK® diaphragm valve with flanged monolithic body, drilled ANSI B16.5 cl. 150 #FF

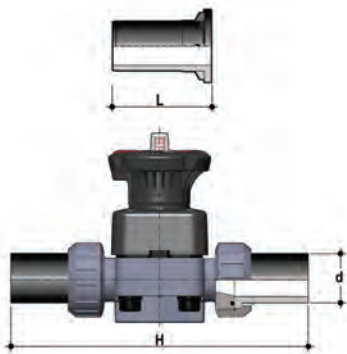
d	DN	PN	B	B ₁	F	f	H	H ₁	Sp	U	g	EPDM code	FKM code	PTFE code
1/2"	15	10	102	25	60.3	14	108	80	13,5	4	1011	DKOAF012E	DKOAF012F	DKOAF012P
3/4"	20	10	105	30	70	15.7	120	80	13,5	4	1102	DKOAF034E	DKOAF034F	DKOAF034P
1"	25	10	114	33	80	15.7	131	80	13,5	4	1212	DKOAF100E	DKOAF100F	DKOAF100P
1" 1/4	32	10	119	30	89	15.7	162	80	14	4	1486	DKOAF114E	DKOAF114F	DKOAF114P
1" 1/2	40	10	149	35	99	15.7	180	120	16	4	2479	DKOAF112E	DKOAF112F	DKOAF112P
2"	50	10	172	46	121	19	210	120	16	4	3454	DKOAF200E	DKOAF200F	DKOAF200P
2" 1/2	65	10	172	46	140	19	250	120	21	4	4223	DKOAF212E	DKOAF212F	DKOAF212P

DKLOAF version available on request
For installation prior to october 2017 please contact Fip Technical Support

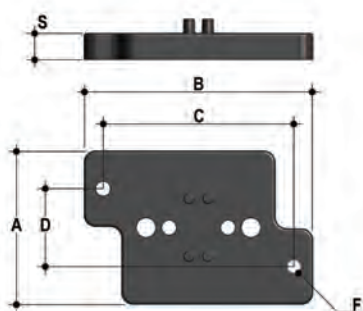
ACCESSORIES

Q/BBF-L

Long spigot PVDF end connectors for butt welding



d	DN	L	H	SDR	Code
20	15	95	280	21	QBBFL21020
25	20	95	298	21	QBBFL21025
32	25	95	306	21	QBBFL21032
40	32	95	324	21	QBBFL21040
50	40	95	344	21	QBBFL21050
63	50	95	374	21	QBBFL21063



PMDK

Wall mounting plate

d	DN	A	B	C	D	F	S	Code
20	15	65	97	81	33	5,5	11	PMDK1
25	20	65	97	81	33	5,5	11	PMDK1
32	25	65	97	81	33	5,5	11	PMDK1
40	32	65	97	81	33	5,5	11	PMDK2
50	40	65	144	130	33	6,5	11	PMDK2
63	50	65	144	130	33	6,5	11	PMDK2
75	65	65	144	130	33	6,5	11	PMDK2