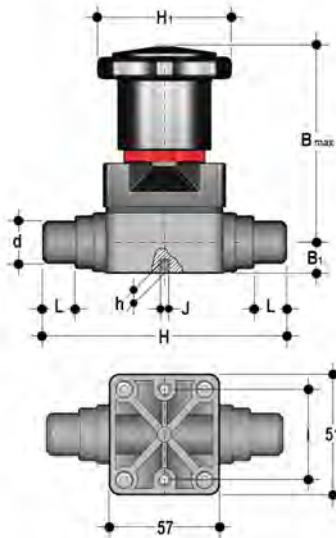


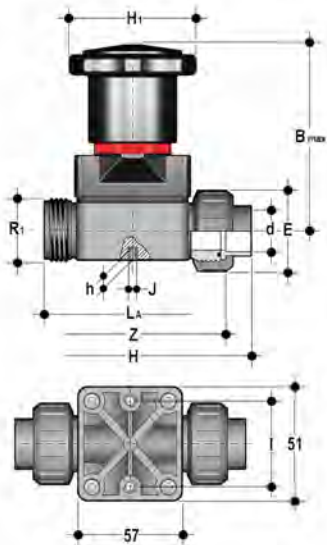
# DIMENSIONS



## CMDC

Compact diaphragm valve with male ends for solvent welding, metric series

d	DN	PN	B <sub>max</sub>	B <sub>1</sub>	H	H <sub>1</sub>	h	l	J	L	g	EPDM code	FKM code	PTFE code
20	15	6	86	15	124	58,5	8	35	M5	17	336	CMDC020E	CMDC020F	CMDC020P



## CMUIC

Compact diaphragm valve with female union ends for solvent welding

d	DN	PN	B <sub>max</sub>	E	H	H <sub>1</sub>	h	l	J	LA	R <sub>1</sub>	Z	g	EPDM code	FKM code	*PTFE code
20	15	6	86	41	129,5	58,5	8	35	M5	90	1"	97,5	310	CMUIC020E	CMUIC020F	CMUIC020P