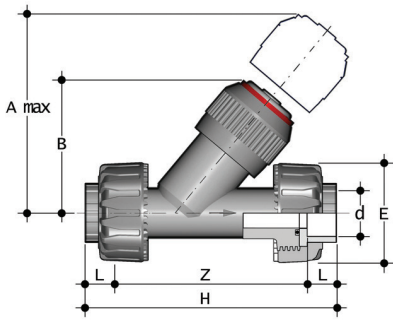


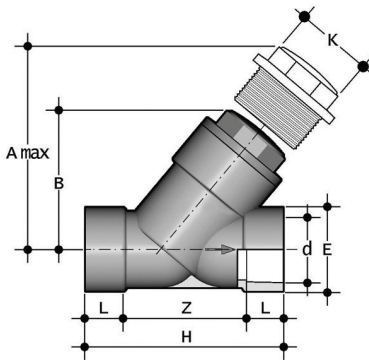
# DIMENSIONS



## VRUIM

Check valve with female union ends for socket welding, metric series

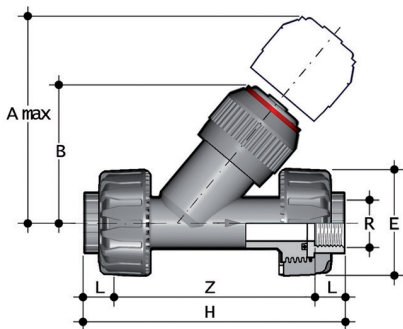
d	DN	PN	A max	B	E	H	Z	g	EPDM code	FKM code
20	15	10	125	71	55	138	109	165	VRUIM020E	VRUIM020F
25	20	10	145	83	66	157	125	227	VRUIM025E	VRUIM025F
32	25	10	165	94	74	179	143	380	VRUIM032E	VRUIM032F
40	32	10	190	109	86	205	164	645	VRUIM040E	VRUIM040F
50	40	10	210	119	99	244	197	915	VRUIM050E	VRUIM050F
63	50	10	240	143	120	294	239	1555	VRUIM063E	VRUIM063F



## VRIM

Check valve with female ends for socket welding, metric series

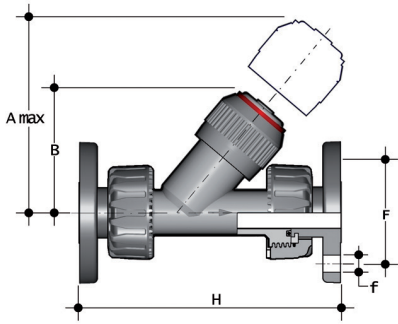
d	DN	PN	A max	B	E	H	K	Z	g	EPDM code	FKM code
75	65	6	300	176	103	241	96	179	2450	VRIM075E	VRIM075F
90	80	4	325	192	115	260	105	189	3130	VRIM090E	VRIM090F



## VRUFM

Check valve with BSP threaded female union ends

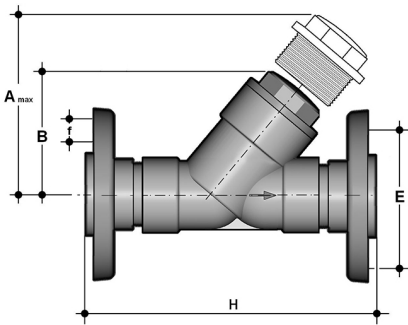
R	DN	PN	A max	B	E	H	Z	g	EPDM code	FKM code
1/2"	15	10	125	71	55	143	113	165	VRUFM012E	VRUFM012F
3/4"	20	10	145	83	65	160	127	227	VRUFM034E	VRUFM034F
1"	25	10	165	94	74	183	145	380	VRUFM100E	VRUFM100F
1" 1/4	32	10	190	109	86	214	171	645	VRUFM114E	VRUFM114F
1" 1/2	40	10	210	119	99	235	192	915	VRUFM112E	VRUFM112F
2"	50	10	240	143	120	285	234	1555	VRUFM200E	VRUFM200F



### VRUOM

Check valve with union ends and fixed flanges, drilled EN/ISO/DIN PN10/16

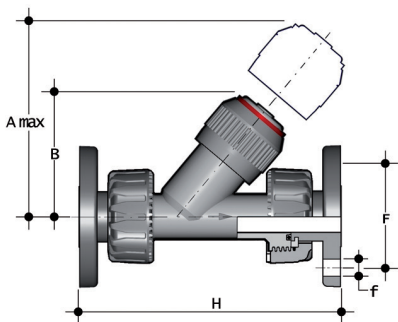
d	DN	PN	A max	B	F	f	H	g	EPDM code	FKM code
20	15	10	125	72	65	14	163	265	VRUOM020E	VRUOM020F
25	20	10	145	84	75	14	193	327	VRUOM025E	VRUOM025F
32	25	10	165	95	85	14	211	480	VRUOM032E	VRUOM032F
40	32	10	190	111	100	18	244	795	VRUOM040E	VRUOM040F
50	40	10	210	120	110	18	277	1065	VRUOM050E	VRUOM050F
63	50	10	240	139	125	18	331	1705	VRUOM063E	VRUOM063F



### VROM

Check valve with steel core backing ring, PP/FRP coated, drilled EN/ISO/DIN PN10/16

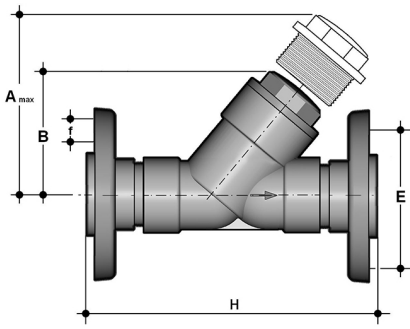
d	DN	PN	A max	B	F	f	H	g	EPDM code	FKM code
75	65	6	300	179	145	18	356	5990	VROM075E	VROM075F
90	80	4	325	192	160	18	404	7230	VROM090E	VROM090F



### VRUOAM

Check valve with union ends and fixed flanges, drilled ANSI B16.5 cl.150 #FF

Size	DN	PN	A max	B	F	f	H	g	EPDM code	FKM code
1/2"	15	10	125	72	60	16	175	265	VRUOAM012E	VRUOAM012F
3/4"	20	10	145	84	70	16	214	327	VRUOAM034E	VRUOAM034F
1"	25	10	165	95	79	16	237	480	VRUOAM100E	VRUOAM100F
1 1/4"	32	10	190	111	89	16	253	795	VRUOAM114E	VRUOAM114F
1 1/2"	40	10	210	120	98	16	289	1065	VRUOAM112E	VRUOAM112F
2"	50	10	240	139	121	19	333	1705	VRUOAM200E	VRUOAM200F



## VROAM

Check valve with steel core backing ring, PP/FRP coated, drilled ANSI B16.5 cl.150 #FF

d - Size	DN	PN	A max	B	F	f	H	g	EPDM code	FKM code
75 - 2"1/2	65	6	300	176	139,7	18	356	5595	VROAM075E	VROAM075F
90 - 3"	80	4	325	192	152,4	18	404	6385	VROAM090E	VROAM090F