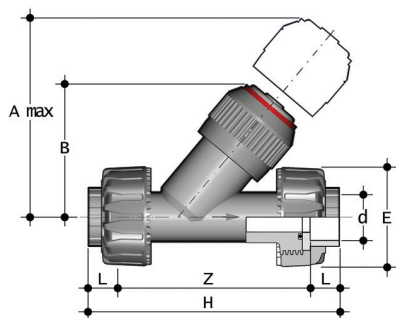


DIMENSIONS

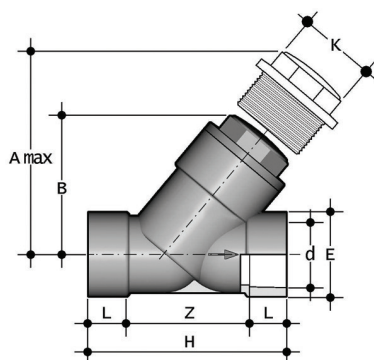


VRUIV

Check valve with female union ends for solvent welding, metric series

| d | DN | PN | A max | B | E | H | L | Z | Fig. | g | EPDM code | FKM code |
|----|----|----|-------|-----|-----|-----|------|-------|------|------|-----------|-----------|
| 16 | 10 | 16 | 125 | 72 | 55 | 135 | 14 | 107 | A | 218 | VRUIV016E | VRUIV016F |
| 20 | 15 | 16 | 125 | 72 | 55 | 135 | 16 | 103 | A | 226 | VRUIV020E | VRUIV020F |
| 25 | 20 | 16 | 145 | 84 | 66 | 158 | 19 | 120 | A | 388 | VRUIV025E | VRUIV025F |
| 32 | 25 | 16 | 165 | 95 | 75 | 176 | 22 | 132 | A | 606 | VRUIV032E | VRUIV032F |
| 40 | 32 | 16 | 190 | 111 | 87 | 207 | 26 | 155 | A | 923 | VRUIV040E | VRUIV040F |
| 50 | 40 | 16 | 210 | 120 | 100 | 243 | 31 | 181 | A | 1335 | VRUIV050E | VRUIV050F |
| 63 | 50 | 16 | 240 | 139 | 120 | 298 | 38,2 | 221,6 | A | 2313 | VRUIV063E | VRUIV063F |

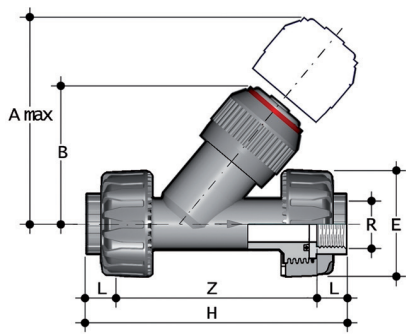
disponibile anche con connessioni standard, ANSI, BS e JIS



VRIV

Check valve with female ends for solvent welding, metric series

| d | DN | PN | A max | B | E | H | K | L | Z | Fig. | g | EPDM code |
|-----|-----|----|-------|-----|-----|-----|-----|----|-----|------|------|-----------|
| 75 | 65 | 10 | 300 | 179 | 104 | 243 | 96 | 44 | 155 | B | 3485 | VRIV075E |
| 90 | 80 | 6 | 325 | 192 | 116 | 262 | 105 | 51 | 160 | B | 4530 | VRIV090E |
| 110 | 100 | 6 | 385 | 231 | 138 | 325 | - | 61 | 203 | C | 7170 | VRIV110E |

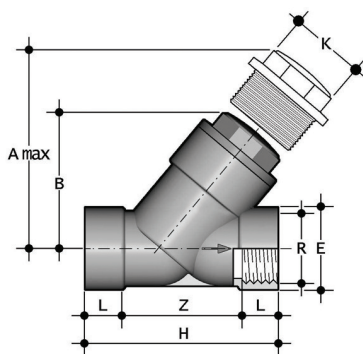


VRUFV

Check valve with BSP threaded female union ends

| R | DN | PN | A max | B | E | H | L | Z | Fig. | g | EPDM code |
|--------|----|----|-------|-----|-----|-----|------|-------|------|------|-----------|
| 3/8" | 10 | 16 | 125 | 72 | 55 | 135 | 11,4 | 112,2 | A | 221 | VRUFV038E |
| 1/2" | 15 | 16 | 125 | 72 | 55 | 143 | 15 | 113 | A | 230 | VRUFV012E |
| 3/4" | 20 | 16 | 145 | 84 | 66 | 160 | 16,3 | 127,4 | A | 390 | VRUFV034E |
| 1" | 25 | 16 | 165 | 95 | 75 | 183 | 19,1 | 144,8 | A | 602 | VRUFV100E |
| 1" 1/4 | 32 | 16 | 190 | 111 | 87 | 214 | 21,4 | 171,2 | A | 932 | VRUFV114E |
| 1" 1/2 | 40 | 16 | 210 | 120 | 100 | 235 | 21,4 | 192,2 | A | 1341 | VRUFV112E |
| 2" | 50 | 16 | 240 | 139 | 120 | 285 | 25,7 | 233,6 | A | 2348 | VRUFV200E |

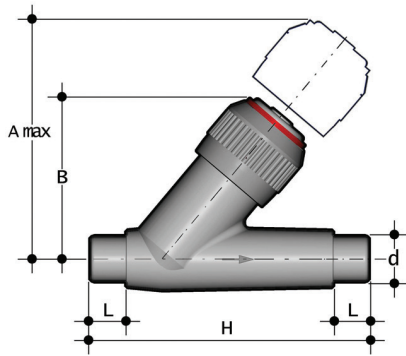
disponibile anche con connessioni standard, ASTM/NPT



VRFV

Check valve with BSP threaded female ends

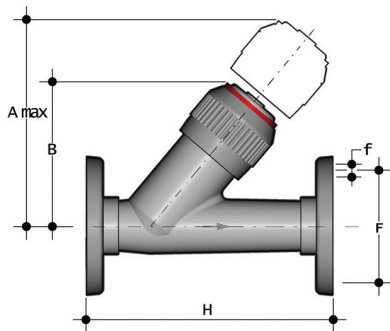
| R | DN | PN | A max | B | E | H | K | L | Z | Fig. | g | EPDM code |
|--------|-----|----|-------|-----|-----|-----|-----|------|-------|------|------|-----------|
| 2" 1/2 | 65 | 10 | 300 | 179 | 104 | 243 | 96 | 30,2 | 182,6 | B | 3485 | VRFV212E |
| 3" | 80 | 6 | 325 | 192 | 116 | 262 | 105 | 33,3 | 195,4 | B | 4520 | VRFV300E |
| 4" | 100 | 6 | 385 | 231 | 138 | 325 | - | 39,3 | 246,4 | C | 6965 | VRFV400E |



VRDV

Check valve with male ends for solvent welding, metric series

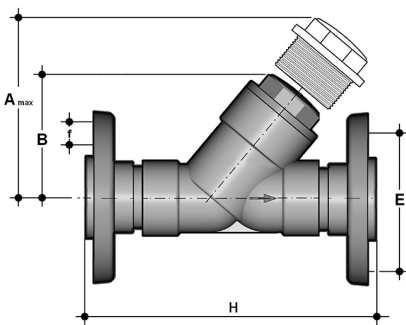
| d | DN | PN | A max | B | H | L | Fig. | g | EPDM code |
|----|----|----|-------|-----|-----|----|------|------|-----------|
| 16 | 10 | 16 | 125 | 72 | 114 | 14 | A | 125 | VRDV016E |
| 20 | 15 | 16 | 125 | 72 | 124 | 16 | A | 135 | VRDV020E |
| 25 | 20 | 16 | 145 | 84 | 144 | 19 | A | 225 | VRDV025E |
| 32 | 25 | 16 | 165 | 95 | 154 | 22 | A | 360 | VRDV032E |
| 40 | 32 | 16 | 190 | 111 | 174 | 26 | A | 590 | VRDV040E |
| 50 | 40 | 16 | 210 | 120 | 194 | 31 | A | 835 | VRDV050E |
| 63 | 50 | 16 | 240 | 139 | 224 | 38 | A | 1420 | VRDV063E |



VROV D 20 ÷ 63

Check valve with fixed flanges, drilled PN10/16

| d | DN | PN | A max | B | F | f | H | Fig. | g | EPDM code | FKM code |
|----|----|----|-------|-----|-----|----|-----|------|------|-----------|----------|
| 20 | 15 | 16 | 125 | 72 | 65 | 14 | 130 | A | 280 | VROV020E | VROV020F |
| 25 | 20 | 16 | 145 | 84 | 75 | 14 | 150 | A | 430 | VROV025E | VROV025F |
| 32 | 25 | 16 | 165 | 95 | 85 | 14 | 160 | A | 640 | VROV032E | VROV032F |
| 40 | 32 | 16 | 190 | 111 | 100 | 18 | 180 | A | 1035 | VROV040E | VROV040F |
| 50 | 40 | 16 | 210 | 120 | 110 | 18 | 200 | A | 1405 | VROV050E | VROV050F |
| 63 | 50 | 16 | 240 | 139 | 125 | 18 | 230 | A | 2235 | VROV063E | VROV063F |



VROV D 75 ÷ 110

Check valve with PVC-U backing ring, drilled PN10/16

| d | DN | PN | A max | B | F | f | H | Fig. | g | EPDM code | FKM code |
|-----|-----|----|-------|-----|-----|----|-----|------|------|-----------|----------|
| 75 | 65 | 10 | 300 | 179 | 145 | 17 | 356 | B | 4600 | VROV075E | VROV075F |
| 90 | 80 | 6 | 325 | 192 | 160 | 17 | 404 | B | 6300 | VROV090E | VROV090F |
| 110 | 100 | 6 | 385 | 231 | 180 | 17 | 475 | C | 9200 | VROV110E | VROV110F |