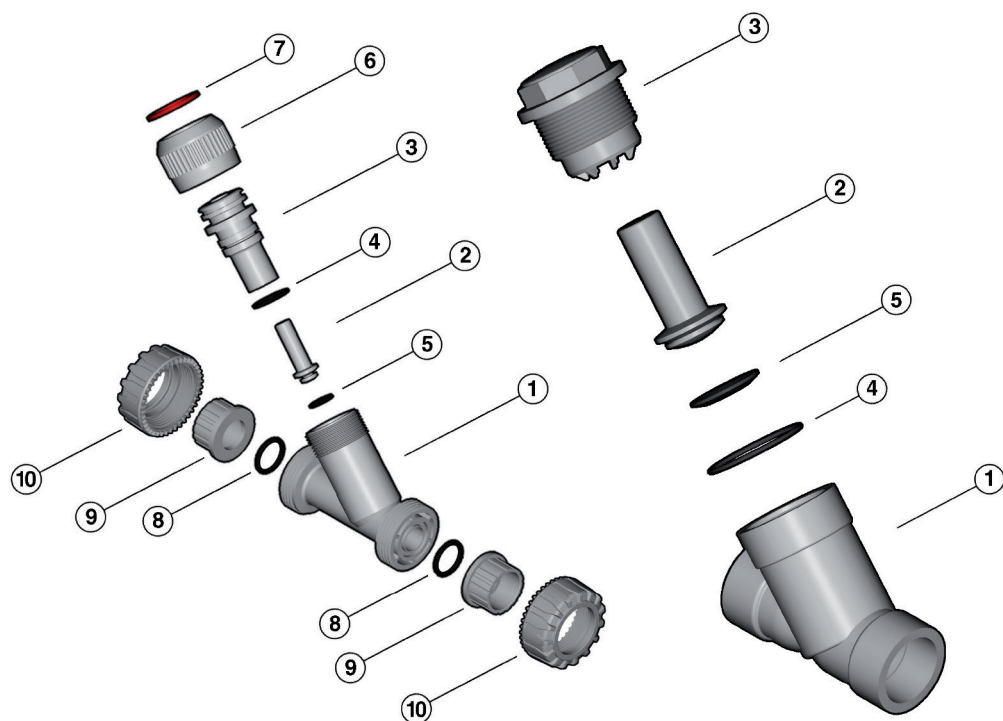


COMPONENTS

EXPLODED VIEW



DN 15÷50

DN 65÷80

- | | | |
|--------------------------------------|---|--|
| 1 Body (PP-H - 1) | 5 Piston flat gasket (EPDM o FKM - 1)* | 8 Socket seal O-Ring (EPDM or FKM - 2)* |
| 2 Piston (PP-H - 1) | 6 Union nut (PP-H - 1) | 9 End connector (PP-H - 2)* |
| 3 Bonnet (PP-H - 1) | 7 Retaining ring (PP-H - 1) | 10 Union nut (PP-H - 2) |
| 4 O-Ring (EPDM or FKM - 1/2)* | | |

* Spare parts

The material of the component and the quantity supplied are indicated between brackets