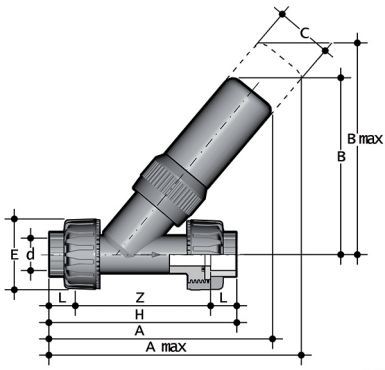


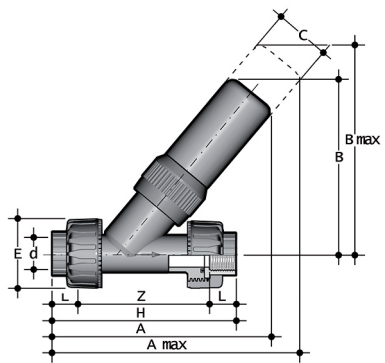
# DIMENSIONS



## SVUIV

Relief valve with female union ends for solvent welding

d	DN	A	A max	B	B max	C	E	H	L	Z	g	EPDM Code	FKM Code
20	15	153	193	118	170	34	55	135	16	103	391	SVUIV020E	SVUIV020F
25	20	191	271	150	220	40	66	158	19	120	633	SVUIV025E	SVUIV025F
32	25	226	296	175	230	48	75	176	22	132	1106	SVUIV032E	SVUIV032F



## SVUFV

Relief valve with threaded BSP female union ends

R	DN	A	A max	B	B max	C	E	H	L	Z	g	EPDM Code	FKM Code
1/2"	15	153	193	118	170	34	55	135	15.0	112.0	391	SVUFV012E	SVUFV012F
3/4"	20	191	271	150	220	40	66	158	16.3	126.4	633	SVUFV034E	SVUFV034F
1"	25	226	296	175	230	48	75	176	19.1	144.8	1106	SVUFV100E	SVUFV100F